

**OPERATING INSTRUCTIONS
AND
MAINTENANCE MANUAL
FOR**

HAMMONDS MODEL 1000-1P*
(* PUMP MODEL VARIES)

**FLUID POWERED
ADDITIVE INJECTOR SYSTEM**

Manufactured by:



HAMMONDS TECHNICAL SERVICES, INC.

6807 West Little York Rd.
Houston, Texas 77040

Phone: 281-999-2900

Fax: 713-896-9419

www.hammondscos.com

November 2025



TABLE OF CONTENTS

Special Notice to Users	3
Installation and Preparation for Startup	3
Installation Considerations of Bare Units	4-5
Locating the System	6-8
Additive Supply System	8-10
Additive Tank Installation	11-13
Preparation for Calibration and Startup	13-14
Calibration and Startup	14-17
Additive Chart	17
Trouble Shooting the System	17-18
Preventive Maintenance	18-19
Preventive Maintenance Schedule	19
Desiccant Dryer Instructions	20

Attachments:

- Drawings and Parts List:
 - System Layout
 - Hydraulic Schematic
 - Drive Unit Parts
 - Gear Reducer Parts (if equipped)
 - Injector Pump Parts
 - Calibration Gauge Instructions



SPECIAL NOTICE TO USERS PLEASE READ CAREFULLY BEFORE OPERATING EQUIPMENT

This additive injector system is designed to give consistent dependable performance when operated and maintained according to manufacturer's recommendations. However, being a mechanical device, it is subject to failure from improper installation, wear, human error and operating environments beyond the control of the system. Because of this fact, it is the responsibility of the operator to make certain that:

- A. The system is installed properly.
- B. The system is being operated properly.
- C. The system is actually running during product transfer.
- D. The system is checked after the transfer operation to make certain the proper amount of additive was injected during the operation.

The performing of these checks by the operator eliminates the possibility of product not having the proper additive ratio as required. Therefore, since the manufacturer cannot be present during each transfer operation, the responsibility for checking the performance of the system is that of the operator. Should there be any questions whatsoever, the operator should consult the distributor from whom the unit was purchased.

Do Not Take Chances.....Do Not Guess.....Be Absolutely Certain That The System Is Installed And Working As It Should.

The user/ operator carries the final responsibility to make certain the system is operating properly.

INSTALLATION AND PREPARATION FOR STARTUP

In most cases, the Hammonds fluid powered injector is shipped complete and ready to operate. The system should include appropriate fittings to suit your specific application. Flow direction is marked on additive pumps and check valves. Any and all flow restricting devices such as on/off ball valves, remote panels, sight flow indicators, suction strainers or electrically controlled solenoid valves must be installed on the suction side of additive pumps.

CAUTION

Do Not Attempt To Use This Device Without Understanding And Following Proper Safety Precautions Regarding System Grounding, Fire Safety, And Special Handling For Potentially Dangerous Additives.

Consult your Engineering Department for their specific instructions. Make certain all personnel involved with this system are thoroughly familiar with safe operating practices.

If your system has been purchased "bare," consult your equipment distributor for help in selecting hoses, fittings and other related accessories. Selection of materials compatibility, location of unit within the system, effect of the unit on the system and injection point of the additive are also factors that should be discussed by factory authorized personnel.

If no factory authorized distributor is available, consult the factory directly for assistance.



INSTALLATION CONSIDERATIONS OF BARE UNITS

Hammonds additive injector systems may be installed in a wide variety of applications, systems, and operating conditions. **This Manual Makes The Assumption That The Purchaser Has Consulted With A Factory Authorized Distributor Or The Factory And Has Approval For The Application And Installation.** If this is not the case, listed below are a few considerations that should be reviewed before installing a unit in an existing system.

POINT OF INJECTION OF ADDITIVE

Some additives may adversely affect other components in the product handling systems, for example seals in meters, valve seals, aluminum and filter elements to name a few. The Hammonds injector systems do an excellent job of mixing the additive in the product, and does not inject in large slugs. Because of this superior mixing and very small concentration of additive in any one point, many customers feel that this is not a problem. **SOME DO**, and therefore, should use their own judgment as to the effect of these additives. **Hammonds Technical Services, Inc. Can Only Advise You Of The Possible Hazards.** It is up to the owner to decide his preference as to location of the additive injection point. It can be placed at any point in the system. The 1000 comes with the injection point directly ahead of the fluid motor for good blending. It can be located elsewhere very easily. If the injection point is moved from the body of the injector, the NPT port must be plugged, the inlet check valve moved to the new location, and the injection tubing rerouted to the new location. An injection check valve must always be used regardless of location.

WHERE TO PHYSICALLY MOUNT THE INJECTOR

The Model 1000 can be mounted in most any convenient location. Standard product connections are 150# RF 6" inch flanges. The performance of the 1000 is not effected by changes in pipe direction or other components such as valves, strainers or meters directly before or after the injector. However, care should be taken in placing the unit too close to other items such as turbine meters that may be sensitive. Consult other manufacturers for advice in placing the injector adjacent to their specific equipment.

MOUNTING ATTITUDE

The Hammonds injector can be mounted in a horizontal, vertical, or even a slanted pipe with one condition. The main motor shaft that powers the injector **MUST** always be horizontal. If this is not done, premature wear will occur in the unit, causing flow tolerances in the unit to become excessive. This will lead to a loss in the system's ability to operate correctly at low flow rates. **Study The Installation Drawing At The End Of The Manual Carefully. Consult Your Local Distributor Or The Factory If You Have Any Questions Whatsoever.**

INSTALLATION RELATIVE TO METERS

Hammonds injectors can be installed at any point in the system. If the unit is mounted downstream of the meter, the injection point may be moved upstream of the meter in order to measure the amount of additive being measured.



SPACE REQUIREMENTS

The system is designed with easy service in mind. The entire rotor and pump assembly can be removed, where possible, from the housing without disturbing the system piping. Ample room should be reserved in the installation for this removal. The injector pump is removed from the side in which it is mounted. Should the fluid motor need service, it is typically done from the backside. A clearance of 18" is required on the backside to remove the rotor and rear side plate. An equal amount is necessary to remove the rotor and shaft from the front or injector side. Also, allow room for the operator to have visual access to the controls on the pump for calibration purposes.

ON/OFF OPERATION

Two methods may be used to stop or start injection. For standard diaphragm pumps a valve may be installed in the suction side of the system that acts to interrupt the flow of additive to the injector. This may be either a manual valve or solenoid operated. For best results, the valve should be located as close to the injector as possible. **Caution:** If a solenoid operated valve is used, make certain the orifice size is large enough to cause no restriction in flow of the additive. In addition, the valve **Must Be Direct Acting**. Many valves are "pilot operated," meaning that they require at least 5 PSI line pressure in the line. **This Type Of Valve Will Not Work In This Application.** Remember, the suction side of the injector may be either at a very low pressure or a slight vacuum. Therefore, a direct acting valve must

be used. Make certain valve trim elastomers are compatible with the additive. Even slight swelling of the valve seals can cause erratic operation and, in some cases, total failure of the valve.

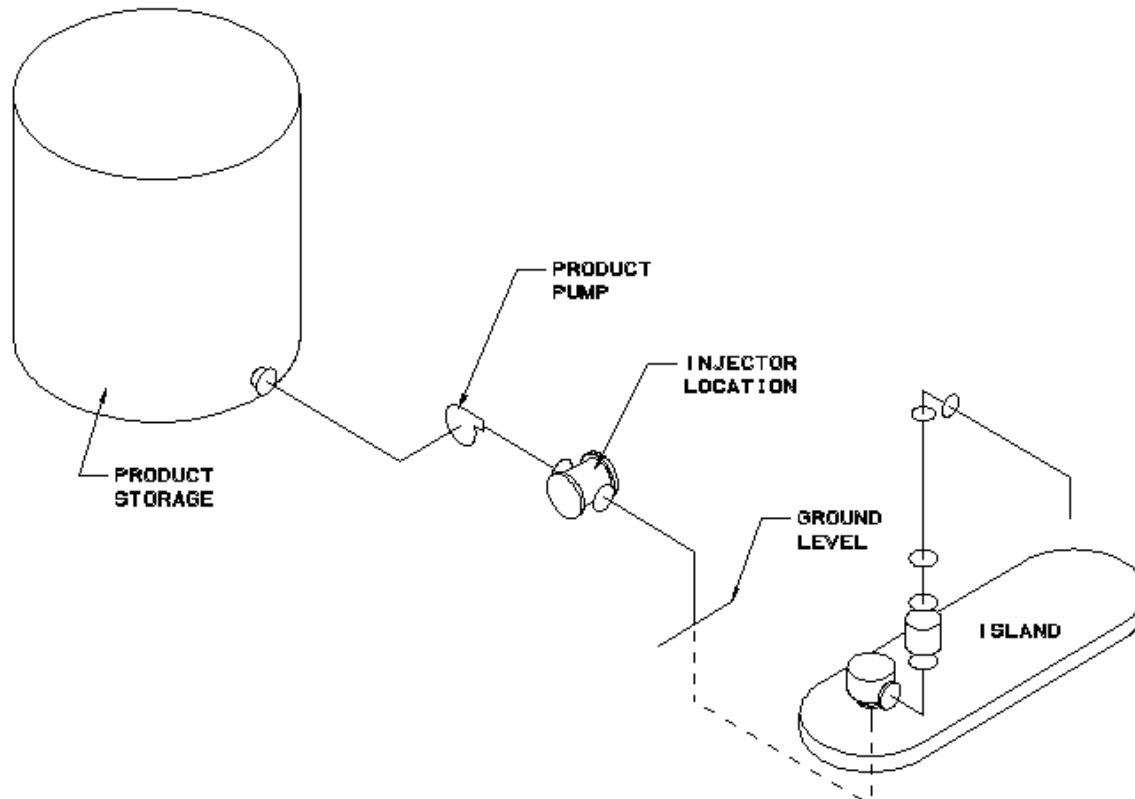
Here is how it works. Since the injector is a diaphragm type pump, it can be operated without fluid damage. When the additive supply valve is turned off, the injector simply maintains a suction on the additive line until the valve is opened for operation. The injector immediately begins pumping when the valve is returned to the ON position. Most injector pumps used on the Model 1000 can operate in the OFF position with the suction blocked. However, there are some special units (rotary pumps) that cannot be blocked. These will be labeled accordingly. If there are any doubts, please consult the factory.

The second method for ON/OFF operation is to provide a 3-way valve on the discharge side of the injector. One position sends output to the product line, the other sends output back to the tank. Make certain the valve used does not have a blocked center position as blocking the discharge of the injector will cause serious damage. This is the only recommended method for Rotary Pumps.

NEVER, NEVER install an on/off valve on the discharge side of any pump. Turning this valve off will block the discharge of the pump, rupturing the diaphragm or plunger seal resulting in an uncontrolled leak of additive and causing catastrophic failure to the pump.

LOCATING THE SYSTEM

INJECTOR LOCATION FOR OFF-ISLAND INSTALLATION



In rack loading installations, there are usually several locations for installing the system.

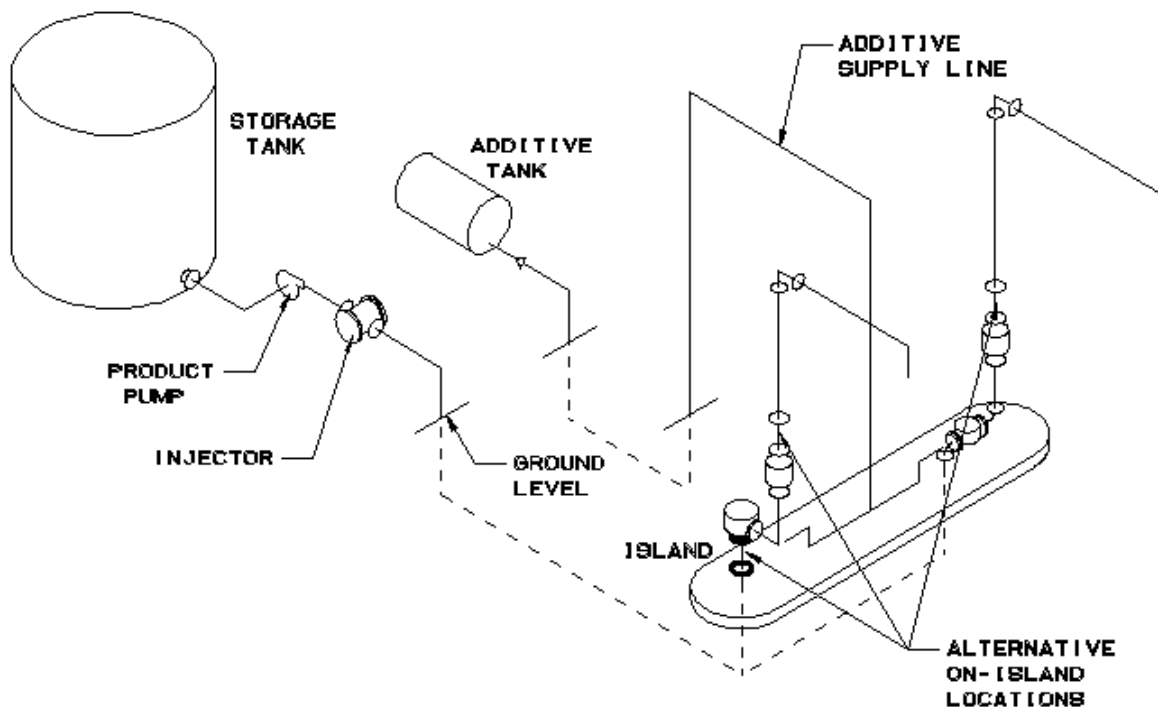
The first choice would be remote from the island at some point in the main product line between the product pump and where the pipe goes underground or overhead, leading to the island itself. This type installation is usually used in cases where the entire product handled by the island will be treated. Although the additive can be turned off, if two loading arms on the island are being used simultaneously, it is not possible to isolate one and not the other for injection.

The injector should not be located between the product pump and the product storage tank.

In remote island installations such as illustrated above, positive displacement drivers can be used in either horizontal or vertical straight runs of pipe.

Location of the injector at the island is usually

INJECTOR LOCATION FOR ON-ISLAND INSTALLATION

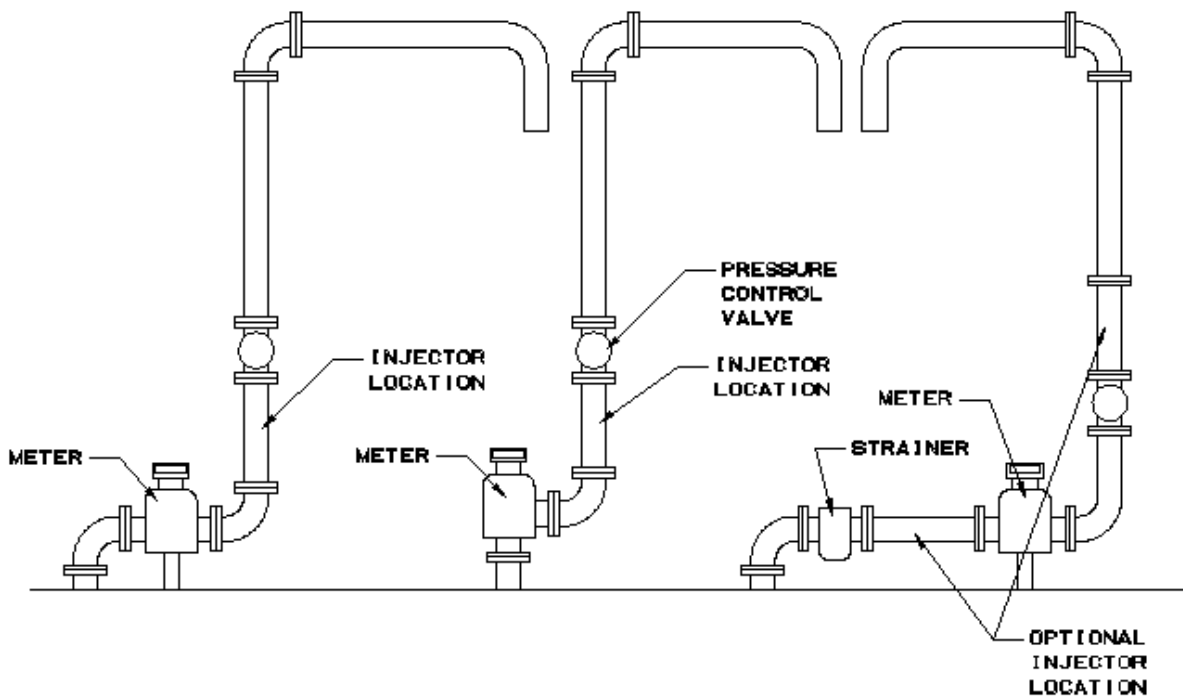


The other option for basic location is on the island itself. In this installation, a unit is usually placed on each of the loading arms, providing for the selective injection of any combination. The unit may be installed at any point from where the pipe exits the ground to where the swivel arm begins for the hose drop. This location offers versatility in that a single injector can be shared by up to four (4) separate users, injecting different additives on demand. There is almost always a convenient “spot” to install the system in a short run of straight-line pipe.

handy to existing wiring conduits for card controls, allowing for easy installation of the on/off solenoid. Units can be configured for horizontal or vertical installation.

CHOOSING THE SPOT FOR INSTALLATION OF THE UNIT ON THE ISLAND

Most island loading arms will present at least two and sometimes three mounting options. Consideration should be given to serviceability and traffic of personnel and equipment such as swinging hoses.

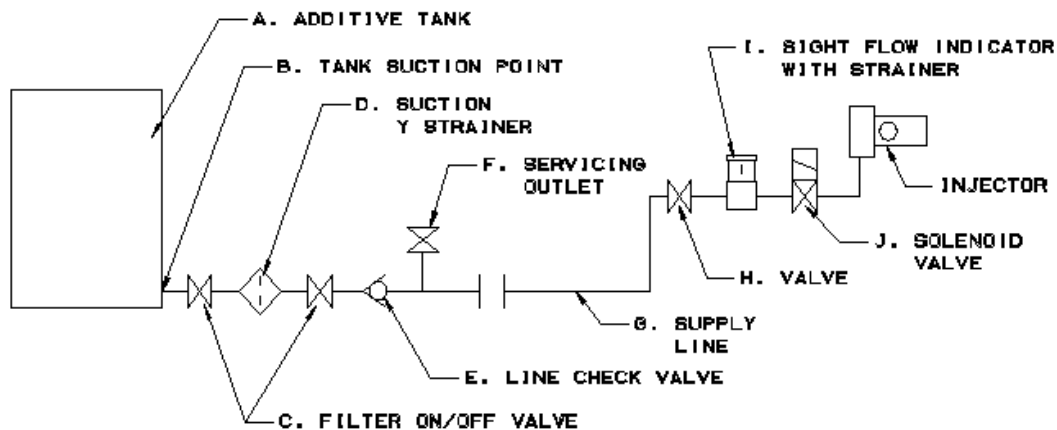


ADDITIVE SUPPLY SYSTEM

The additive tank should always be placed as close to the injector as possible. Ideally, the tank should be at the same level or slightly higher than the unit providing a flooded suction to the injector. If this is not possible, the injector, depending upon the application and the model of pump, will pull a suction lift. **NOT ALL PUMPS WILL.** The end user is responsible to make sure there are absolutely no leaks in the suction line of the injector. A pin hole will prevent the system from priming and/or operating efficiently. Tape all connections carefully with Teflon sealant. Consult your engineering department or the

factory for assistance with any application concerns.

The following illustration identifies the basic components necessary for a complete additive supply system. Study the information provided for each component, as each part plays a vital role in the overall performance of the system.



A. THE ADDITIVE TANK: Additive tanks should be constructed of materials compatible with the additive. Tanks should be new and free from scale, rust and corrosion. Any loose surface material inside the tank will fall into suspension and contaminate the additive after startup. Care should be taken to prevent sandblast sand from entering the tank during the manufacturing process. If water is used for testing, the tank should be dried internally to prevent the formation of rust.

B. TANK SUCTION POINT: Suction should never be taken from the very bottom of the tank. Should foreign material of any kind be present, the line will become plugged,

causing either failure or erratic performance of the system. Remember, there are components in every additive system that are sensitive to contamination. Suction should be taken at least 1" off the bottom of the tank to prevent the introduction of foreign sediments off the bottom.

C. FILTER ON/OFF VALVE: A full opening ball valve of at least the diameter of the additive supply line should be placed on either side of the suction Y strainer. Two valves are necessary in order to clean the strainer without losing the entire line full of additive. This will prevent having to re-prime the system each time the strainer is cleaned.



Model 1000-1P Injection System Manual

D. SUCTION Y STRAINER: A Y-type strainer with a 50-60 mesh screen is ideal for taking most harmful particles from the additive supply. Any smaller mesh will cause excessive friction loss. If the openings are too

E. SUCTION LINE CHECK VALVE:
Notice: This check valve is only used in vary rare occasions. Consult the factory before use. This suction line check valve is used to provide additional insurance that the primed line will not drain back between uses. If the additive supply line is properly installed without leaks, it will remain full even when not in use. This line check valve is suggested as an extra precaution to prevent loss of system prime. The valve should be made of a material compatible with the additive, and have a “feather light” opening pressure. The valve should be a ball type with a synthetic material that is very light, preferably with no spring. The gravity of the material will seat the ball. Consult the factory if there is any question regarding the proper valve for this application.

F. SERVICING OUTLET: The service outlet provides a means for operating a manual pump in the additive supply line. The pump can be connected and used for purging air from the line while priming. Although this is an option, the factory strongly recommends the accessory for easy startup and service. A simple tee and on/off valve is used for this purpose.

G. ADDITIVE SUPPLY LINE: The size of the delivery line to the injector is important when long distances are involved. Use the following chart for determining line size.

0 - 500 PPM up to 25'	3/4"
25 to 50'	3/4"
50 to 100'	1"

large, the strainer will do little to protect the system.

Over 1000 PPM up to 25'	1"
25 to 50'	1"
50 to 100'	1 1/4"

The above line sizes are a suggestion only. Make certain to use at least 1 size larger than the inlet size of the pump you are supplying. Consult the factory for greater requirements.

H. SIGHT FLOW/STRAINER VALVE: This valve is also a full opening ball valve that is used to isolate the additive line when cleaning the strainer in the Sight Flow Indicator.

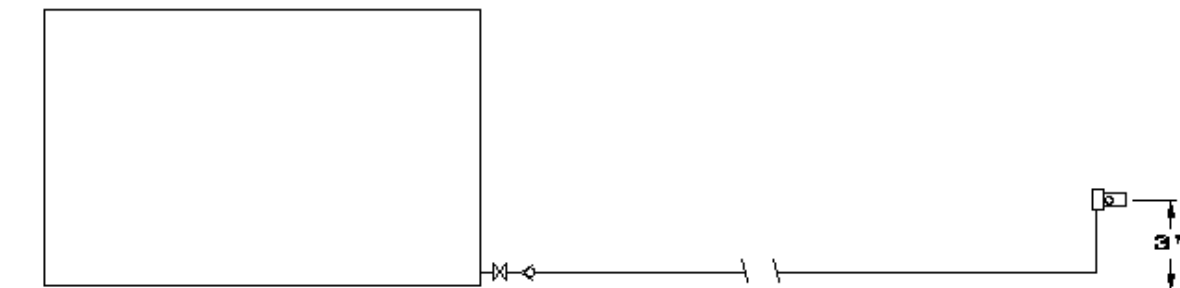
I. SIGHT FLOW INDICATOR/SUCTION STRAINER: This strainer is used to provide indication of the system's operation, as well as add extra protection for the solenoid valve from trash and contamination. When properly installed, this indicator will give the operator proof that the system is operating properly.

J. SOLENOID VALVE: This valve is provided for the remote operation of the system. It is important that the valve is a direct acting type that requires no pressure from the line in which it controls. The materials of the valve body and the elastomers are extremely important as any reaction with the additive can cause failures. Consult the factory to make certain that the valve and trim materials are compatible. Also, make certain that the orifice in the valve is at least 7/16", with 5/8" being ideal. Any restriction in this orifice will cause the system to work harder to perform the given ratio of injection.

ADDITIVE TANK INSTALLATION

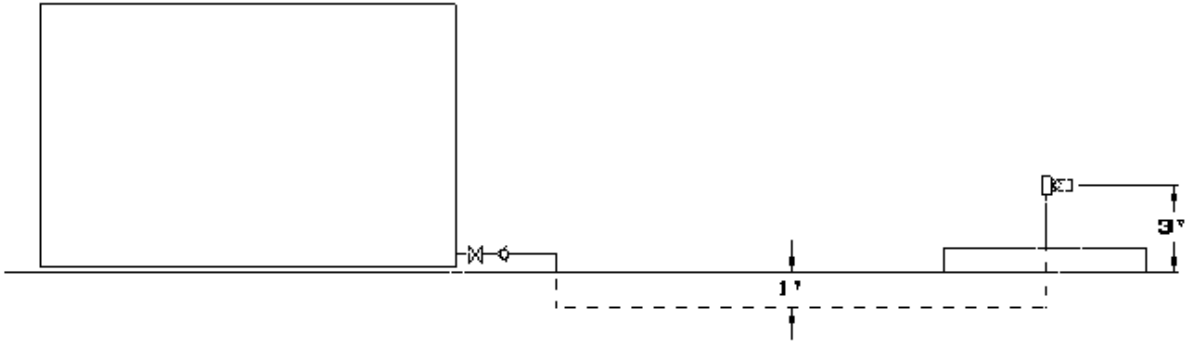
Placement of the additive tank and related supply lines relative to the injector is critical to performance of any additive system. The following illustrations will provide information regarding the various types of tank installations and their connection to the additive injectors. Hammonds injectors offer the greatest flexibility in tank and supply line installation of any additive injection system on the market. Since no pumps or feed

mechanisms are necessary, installation goes faster and at less cost. The choice of appropriate components and pipe sizes, along with leak-free installation, will determine if the system works properly and consistently.



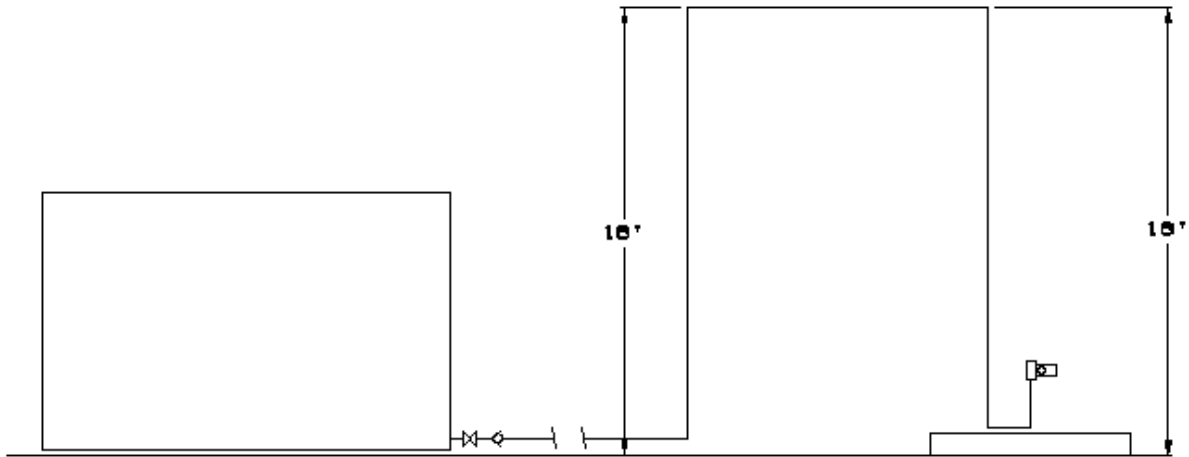
OPTION 1 - ABOVE GROUND TANK, ABOVE GROUND DELIVERY LINES

This installation calls for both the tank and the supply lines to be above ground. The bottom of the tank is very close to the ground, and the injector is approximately 3' above ground. Using a 4' diameter tank, this would provide a variable net suction head to the injector of +1' when the tank is full to a worst condition of a -3' when the tank is almost empty. A Y type strainer should be located at the tank. A full opening ball valve located on each side of the strainer, with a light action (less than 1/2 PSI) check valve installed to assist in holding the prime. Install a ball valve just upstream of the Sight Flow Indicator, and if one is to be used, install the solenoid-operated valve between the Sight Flow Indicator and the injector. Use the table listed in the previous section for selection of pipe diameter.



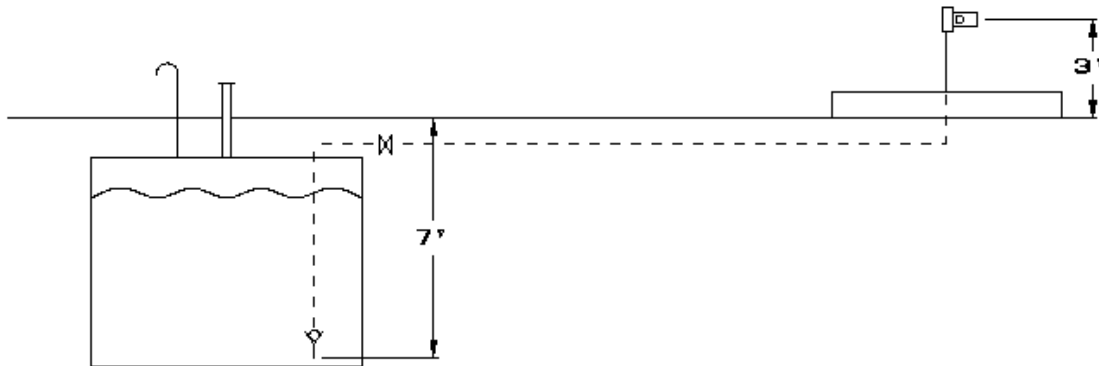
OPTION 2 - ABOVE GROUND TANK, BELOW GROUND DELIVERY LINES

This option is basically the same as that in Option 1. The effect of burying lines below the ground level does not affect final suction conditions since the head gained in going below ground level offsets the additional lift at the injector end. It is necessary to make certain on initial startup and priming of the system that all air is removed from the supply lines and the various components.



OPTION 3 - ABOVE GROUND TANK WITH HIGH CLEARANCE OBSTACLE

This application for a non-pressurized additive system is difficult to achieve in the real world because fittings and check valves notoriously leak. . **This is not recommended.** If equipment is installed in this manner it will void the factory warranty.



OPTION 4 - BELOW GROUND TANK, BELOW GROUND LINES

This is the most difficult application for a non-pressurized additive supply. In this case, the pump must overcome a negative lift equal to the total distance between the bottom of the tank and the injector above ground.

This is not recommended because fittings and check valves leak. If equipment is installed in this manner it will void the factory warranty.

PREPARATION FOR CALIBRATION AND STARTUP

Before Attempting To Start The System Or Make Calibrations, Please Read The Following Information Carefully.

During startup and calibration, you will be bleeding the system of air, collecting samples of additive during the calibration and checking for possible leaks throughout the system. Provisions should be made for collection or clean-up of spilled fluid. Attempts should be made to minimize losses during these procedures. If the additive being handled is flammable, fire safety precautions should be taken. Since the installation may also be tested at this time, extreme caution should be used in checking for leaks of the main line. If you wish to set the system up for leak-free testing and calibration with zero spillage, please consult your local distributor or the factory for help in doing so. Hammonds is glad to suggest any

necessary parts and procedure for "zero spill" startup and calibration.

A WORD ABOUT ADDITIVES

Most additives being used in fuels today have at least some degree of toxicity. Many are very dangerous. Extreme caution should be taken in handling additives. Remember, the additive is placed under pressure when being injected into the line, and when collecting samples during calibration, some spillage may occur. Be careful; wear protective clothing including eye protection. Be sure you have facilities to wash off any additive that may come in contact with your skin. Read all additive manufacturers safety precautions and Material Safety Data Sheets, following them to the letter.



Model 1000-1P Injection System Manual

HERE IS WHAT IS NEEDED:

- Appropriate safety protection equipment.
- Eye protection in the form of safety goggles.
- Have an assortment of wrenches that fit the various fittings on the system. Note: two (2) 10" crescent wrenches will normally take care of any adjustments to fittings you may have to make. One to hold the fitting and one to hold the adjacent fitting.
- A marked graduated glass bottle that is marked in either CC's or ounces. (At least 16 oz.)
- A stop watch.

A means of determining the flow rate of the main system.

A small pocket calculator is helpful.

A clipboard is helpful with pad of paper.

AT LEAST ONE AND PREFERABLY TWO HELPERS

A large container or catch basin to collect the output of the pump while you are not actually calibrating the system.

REMEMBER: Any plumbing system varies with temperature and fluid being pumped. The system also changes as parts of the pump wear.

CALIBRATION AND STARTUP

IF YOUR INJECTOR SYSTEM IS EQUIPPED WITH CALIBRATION GAUGES, FOLLOW THE INSTRUCTIONS FOR THEIR USE IN THE BACK OF THIS MANUAL.

PROPER ADDITIVE INJECTION RATIOS

Although volumetric calibration at atmospheric pressure will bring you within an acceptable range of additive injection, the only true evaluation for proper ratio is the ASTM D-5006 evaluation for fuel system ice inhibitor (FSII). Do not depend on volumetric calibration to ensure on-spec performance because line pressures can vary and additive injector parts wear over time. Contact Hammonds Fuel Additives, Inc. for supply of quality fuel system ice inhibitor and fuel testing procedures.

Please follow these steps in their given order. Read them over carefully before starting, and then follow them to the letter. If there is any part of the procedure that is not clear, consult your local distributor or the factory directly.

1. Make certain the additive tank is full of the proper additive.

2. Open the suction valve between the tank and the pump. This valve should be located at any point between the additive tank and the injector.

3. All systems are calibrated at the factory to customer specified requirements. So if adjustments are required, they should only be minor. If this is the case, go directly to step 6.

4. **FOR HAMMONDS PUMPS ONLY:** If you are starting from scratch in the calibration and adjustment, loosen the stroke adjustment locking screws located on the bottom of the pump body directly under the stroke adjustment knob. This will allow the stroke adjustment to be moved. These are not the dial knobs within the circle of numbers, these are lock down screws.



5. A. FOR HAMMONDS PUMPS ONLY:

Adjust the stroke adjustment knobs located on the pump body to approximately 50%. **CAUTION:** Do not turn these adjustments with excessive force. If they are difficult to adjust, simply rotate the main rotor shaft, by producing flow in main product line. Lock the stroke adjustment locking screws down firmly.

6. B. FOR SPECIAL ROTARY PUMPS:

To increase injector output, turn hand crank clockwise. To decrease output, turn counter-clockwise. See Variable Belt Instructions. **CAUTION: Only adjust variable belt drive while fluid motor is turning.**

7. Set the calibration valve (3-way valve) in the "calibrate position." This is done by making certain that the handle on the valve is positioned so that additive will exit through the short open tube.

8. Make certain all product connections going to and from the system are in their proper, locked position to ensure safe, leak proof flow of product through the fluid motor. Double check the flow direction arrows located on the fluid motor housing, and check valves before and after the pump to ensure that the system is installed properly.

9. At this point, consider the information you will have to gather during the next few steps of the calibration process.

A. What will the flow rate through the unit be?

B. What is the length of time that the calibration will cover?

C. What is the amount of additive in ounces or cc's that you will need to collect based on the duration of the calibration.

You Should Have the Answer To All Of These Questions Before Your First Trial Run.

10. Before starting the main product flow through the system, make certain everyone understands that you will run the system for, let's say, one (1) minute. Even shorter runs are fine, especially if you are running at high flow rates.

11. Place the measured graduate under the calibration tube. Put on your eye protection.

12. At the command of the time keeper, or that person watching the flow meter, start the main product pumps.

13. Give the system a few seconds to gather momentum and flow through the fluid motor. Notice if the additive injector system is turning. The bearing on the shaft under the stroke adjustment knob cover should be spinning.

14. If the pump is being started up for the first time, it will take a few seconds to prime itself and begin discharging fluid from the calibration tube. Is your eye protection on? If not, **PUT IT ON NOW!**

15. As soon as the pump begins discharging a clear, air free stream of fluid from the calibration tube, you are ready to begin your calibration. At this point, the system is primed.

*** Hammonds recommends using the Pressure Simulating Calibration Devise, an optional accessory item, to duplicate system pressure during calibration.**

16. You will now prepare to make your first actual calibration run. Empty your collected additive back into the tank, putting the bottle back under the calibration tube. Notice the setting on the main product meter, set your stop watch at zero.



17. When ready, start the system again. Stop it at the decided time interval or meter reading. Calculate the amount of product that traveled through the system. Measure the amount of additive gathered, and record the amount of elapsed time.

18. It will be at this time that you will have to calculate how much additive you should have collected for the amount of fuel that the system pumped. This, of course, depends upon the ratio that is required. The following example is the easiest way of explaining the procedure without getting too complicated. It is not the only way...use it if you like.

Example condition: Amount of product pumped: 500 gallons

Ratio of additive desired: 250 PPM (Parts per million)

It is assumed that the operator will know how much product is being pumped through the system in a given length of time. If, for example, you have a meter that registers the flow in gallons, you simply record the gallons at the beginning of the timed run, and then again at the end of the run. If you run for one (1) minute, you simply subtract the beginning number on the meter from the number registered after the run. This will give you the gallons per minute (GPM). Having to make this calculation is the only reason for timing the run. You can accomplish the same result by just watching the meter and stopping the system when you have totaled the desired amount of gallons through the system. In any case, you must know the amount of product passing through the system before calibration can begin.

First, change the gallons pumped into ounces by multiplying total gallons (in our example 500) by 128 (128 oz. to a gallon). The answer is 64,000 ounces.

Second, divide by 1,000,000. The answer is .06. Since you are dealing in 1/1,000,000 (one part per million) of the total for your ratio, you must find out what 1/1,000,000 of the 500 gallons is, .06 ounces is 1/1,000,000th (one part per million) of 500 gallons.

Third, multiply the .06 x 250 (for 250 PPM ratio). The answer is 15 ounces.

So, you should collect 15 ounces of additive for every 500 gallons of fuel pumped.

These are all large, round numbers. You may, for example, only be running at 100 GPM, not 500. Use the same procedure, just change the numbers to fit your application.

No two systems will ever perform exactly the same. For this reason, the procedures given for calibration are general in nature. Obviously, it is impossible to provide a graph or table that would be absolutely accurate in every case. With that in mind, all tables and graphs should be used as general guidelines. Remember, the calculated, timed and measured output that you gather is absolute. Trust your figures and your calculations.



NORMAL OPERATION

Following initial start up and calibration, the system requires very little attention other than making certain that additive tank levels are maintained. Operators will quickly become accustomed to the performance of the system by observing the Suction Sight Flow Indicators. On-spec injection will cause a certain response in the indicators, and with some practice, operators will be able to observe the system at a glance. *This does not mean that system calibration should not be periodically checked!* However, during a

busy workload, these visual checks will provide assurance to the operator that the system is functioning.

Assuming the system remains set up and operating at least intermittently, calibration is required perhaps every 1 – 3 months. Good record keeping of additive inventory and use levels compared to fuel handled can give a good indication that additive is on specification. Test such as the refractometer for FSII content should be the final test to verify additive injection ratios.

ADDITIVE CHART

GALLONS	135 PPM	270 PPM	1000 PPM
100	1.7 OZ.	3.4 OZ.	12.8 OZ.
200	3.4 OZ.	6.9 OZ.	25.6 OZ.
400	6.9 OZ.	13.8 OZ.	51.2 OZ.
500	8.6 OZ.	17.2 OZ.	64.0 OZ.
700	12.0 OZ.	24.0 OZ.	89.6 OZ.
1000	17.2 OZ.	34.5 OZ.	128.0 OZ.

TROUBLESHOOTING THE SYSTEM

The following conditions are given as a means of troubleshooting the system. Each condition lists a number of possible causes. In most cases, trouble can be solved by the use of this section. Please read it carefully before attempting repairs or making changes in the system.

FLUID MOTOR IS NOT TURNING

A. Insufficient flow to turn the motor. A minimum of about 100 GPM must be present to start the system.

B. A rag or some other object is jammed in the line preventing the fluid motor from turning.

C. A diverter valve is blocked downstream of the system, blocking the fuel flow through the system.

D. A valve is closed upstream of the fluid motor starving the product flow.

E. If the unit has been recently serviced internally, or it is new, the rotor might be installed backwards. Consult the factory before disassembly.



INJECTOR IS TURNING AND PUMP IS RUNNING, BUT WITH NO OUTPUT

A. Pump is air-locked. In some cases where there is a very long line running from the injector head and the point of injection into the system, there is sufficient air volume to cause the pump to act as a compressor. It is not able to open the valves throughout the system and therefore, cannot pull a suction of fluid to the pump. Loosen the connection at the injection point check valve and allow it to remain open until the pump begins pumping. This is rare, but can happen in some cases of unusual installations.

B. One or more of the suction or discharge check valves is not working. While the pump is running, tap on the side of the valves, one at a time. This will generally jar them loose. The poppet and seals are very small, and will sometimes become stuck. After the valve is loosened and has a supply of fluid, usually it will not stick again.

C. The pump is not getting additive. Check the valve between the pump and the tank. Check all connections in the line between the pump and the tank.

D. The vent on the tank is not open causing the pump to pull a vacuum. Open the vent. Check to see if the cap has been removed from the dryer cartridge, if so equipped.

E. The pump stroke is set at zero. Check to see if the locking screws have been left loose, allowing the adjustment knobs to rotate to zero percent (0%) of stroke.

F. The additive tank is empty...don't laugh, it happens.

THE INJECTOR IS OPERATING BUT WITH REDUCED OUTPUT

A. Leaking suction line or trash in discharge check valve.

B. Air leak in suction side of system.

C. Defective tubing or piping on suction side.

D. Leaks in threaded connections - suction side.

E. If so equipped, a relief valve on injector may be bleeding part of the output back to suction. Relief valve may not be working, or retaining nut may have vibrated loose causing valve to fail entirely, bleeding output back to suction.

F. Injector diaphragm may be pulled out in back causing injector to pump in forward portion of stroke only. This will not create a visible leak but will reduce output by 50%. It usually happens after many hours of operation.

G. Fluid motor vanes are badly worn. This would only be probable after a very high number of hours of operation.

PREVENTIVE MAINTENANCE

1. Make certain to use only clean, fresh additive that has been stored in a sealed container. Most additives are moisture sensitive. Some will form heavy crystals if allowed to accumulate moisture. These crystals will stop the pump in very short order, if not cause calibration to be changed due to clogging of the valves and other parts.

2. Check the additive filter screen, if so equipped, at least every six months. More often if there is an indication of possible contamination.

3. Check the system for leaks at every use. This is an extremely important safety procedure, since some additives are flammable, caustic and corrosive.

4. Check for leaks from the seal that is located at the exit point of the injector output shaft in the side plate housing. This should be done at each operation. Leakage at this point usually indicates that the mechanical seal inside the rotor housing is leaking. A leak here will be fuel, and is not only dangerous from a fire standpoint, but will quickly ruin the bearings on the rotor shaft, since all lubricant will be washed away.
5. Check the fittings for leakage around the suction strainer or sight flow indicator, if one is used on the pump. Check this fitting each time the filter is changed or cleaned. Make certain there are no leaks in the suction line. A very small leak will either change the operation of the pump or prevent it from operating all together.
6. Visually check around the pump head and make certain there is no leaking of additive around the fluid ends. If there is, check the tightness of the head bolts. (40 inch pounds each)
7. Check the grease around the eccentric drive bearing in the pump every 6 months. Use a good quality white lithium spray lubricant.

8. It is recommended that the injector diaphragm/plunger seal be changed at least every 12 months. Every 6 months under extreme operating conditions. Doing so will prevent unexpected failures and unscheduled downtime.

Hammonds injectors are very dependable. If installed properly and sized appropriately to the application, they require very little maintenance. Remember, keep the additive clean, and the suction strainer clean. If you have problems with the pump working, it is usually in the suction side of the system (between the injection pump and the additive tank). Suction lines and fittings are notorious for leaking just enough to prevent the system from working. Always check to ensure optimum suction conditions should problems occur.

Remember, a leak in the suction allows air from the outside to be introduced into the system. It does not always mean a visible leak of additive. If the pump loses its prime or output is erratic, chances are good that there are problems in the suction side. Otherwise, if it is working...leave it alone!!!!



PREVENTATIVE MAINTENANCE SCHEDULE

NOTE: It is important to read the previous pages on preventative maintenance. These intervals are general, and may vary according to individual applications and severity of service.

SERVICE FUNCTION	0-4 HRS DAILY	5-8 HRS DAILY	8+HRS DAILY
Check gear oil level (if equipped with worm gear reducer)	Monthly	Monthly	Monthly
Check additive filter screen	Monthly	Monthly	Monthly
Check system for additive/fuel leaks	Daily	Daily	Daily
Inspect diaphragms/plunger seals	12 Months	6 Months	3 Months
Replace diaphragms/plunger seals	12 Months	As needed	As needed
Check eccentric bearing grease	6 Months	3 Months	Monthly
Check stroke adjustment parts for looseness	Monthly	Monthly	Monthly
Replace stroke adjustment parts	24 Months	As needed	As needed
Disassemble and inspect turbine housing and internal parts	24 Months	12 Months	8 Months
Grease bearings	12 Months	6 Months	3 Months



DESICCANT DRYER

Your Hammonds additive system may include a custom additive tank. The additive tank may come equipped with a desiccant dryer cartridge. These units come in several different sizes.

Most systems come equipped with the standard 3/4" cartridge. This unit is attached to the tank via a short length of black rubber hose. The cartridge has a housing constructed of a clear poly material and is filled with a blue colored desiccant crystal. All these units are shipped from the factory with a small yellow cap on the unattached end of the cartridge.

Some systems may come equipped with a large canister measuring approximately 2" diameter and 10" in length. These units perform the same function, just on a larger scale. Due to their greater capacity, they last longer between service. These units are sealed from the factory by a small, plastic plug which is located either on the bottom or one side of the canister.

The purpose of all desiccant dryers is simply to remove moisture from the air as the system breathes. All tanks or portable sources of additive supply must be vented to atmosphere in order for the injector to operate. If moisture in this venting air is not removed, some additives are either ruined or seriously damaged. Fuel system icing inhibitor (FSII), for example, is designed to seek out water in a fluid. So, when enough moisture is absorbed into the container, the FSII is diluted and at some point will be ruined. Biobor® JF, an anti-fungal material, will form crystals in the presence of moisture and not only perform unsatisfactorily as an additive, but will stop up pumps and lines as well.

The following instructions apply to all desiccant cartridges:

- A. Remove the yellow cap or plug when the system is placed into service.
- B. Observe the color of the desiccant. The original color is blue. As moisture is absorbed, the color will change to pink. When the cartridge is completely pink, it should either have its contents removed, dried and replaced, or the entire unit replaced.

C. NOTE: The contents can be removed from plastic container, placed on a pan and baked at 400°F in a conventional oven until the moisture has been removed. When the color blue returns, the cooled material may be reinstalled into plastic containers and is again ready for service.

- D. Color change and cartridge life is totally dependent on humidity. The more moist the air, the shorter the life. Keeping it dry is especially important if additive is not consumed rapidly. Check daily and service as needed.

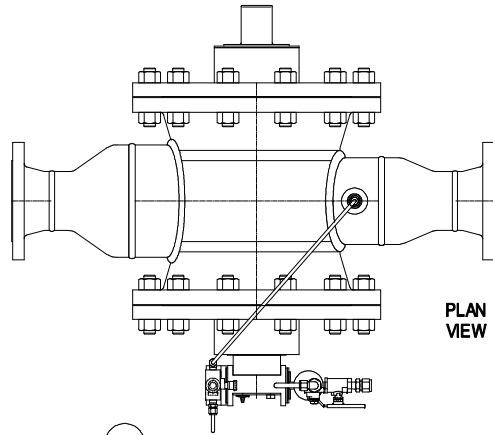


Model 1000-1P Injection System Manual

(Page intentionally left blank)

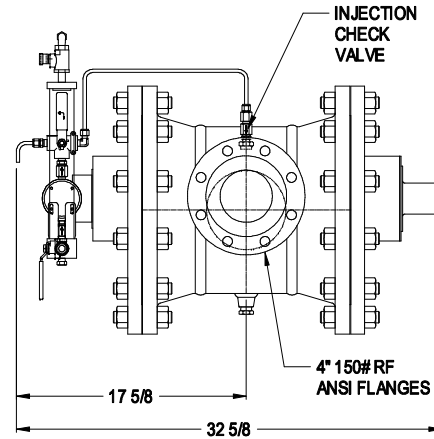
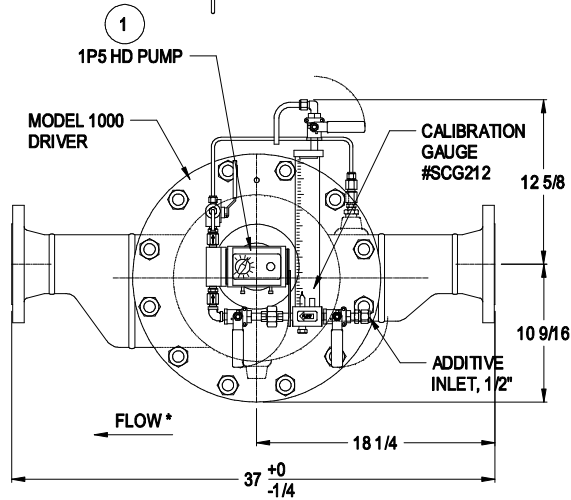


Model 1000-1P Injection System Manual



*NOTE:
FLOW DIRECTION SHOWN IS RIGHT - LEFT
UNIT MAY BE BUILT LEFT - RIGHT

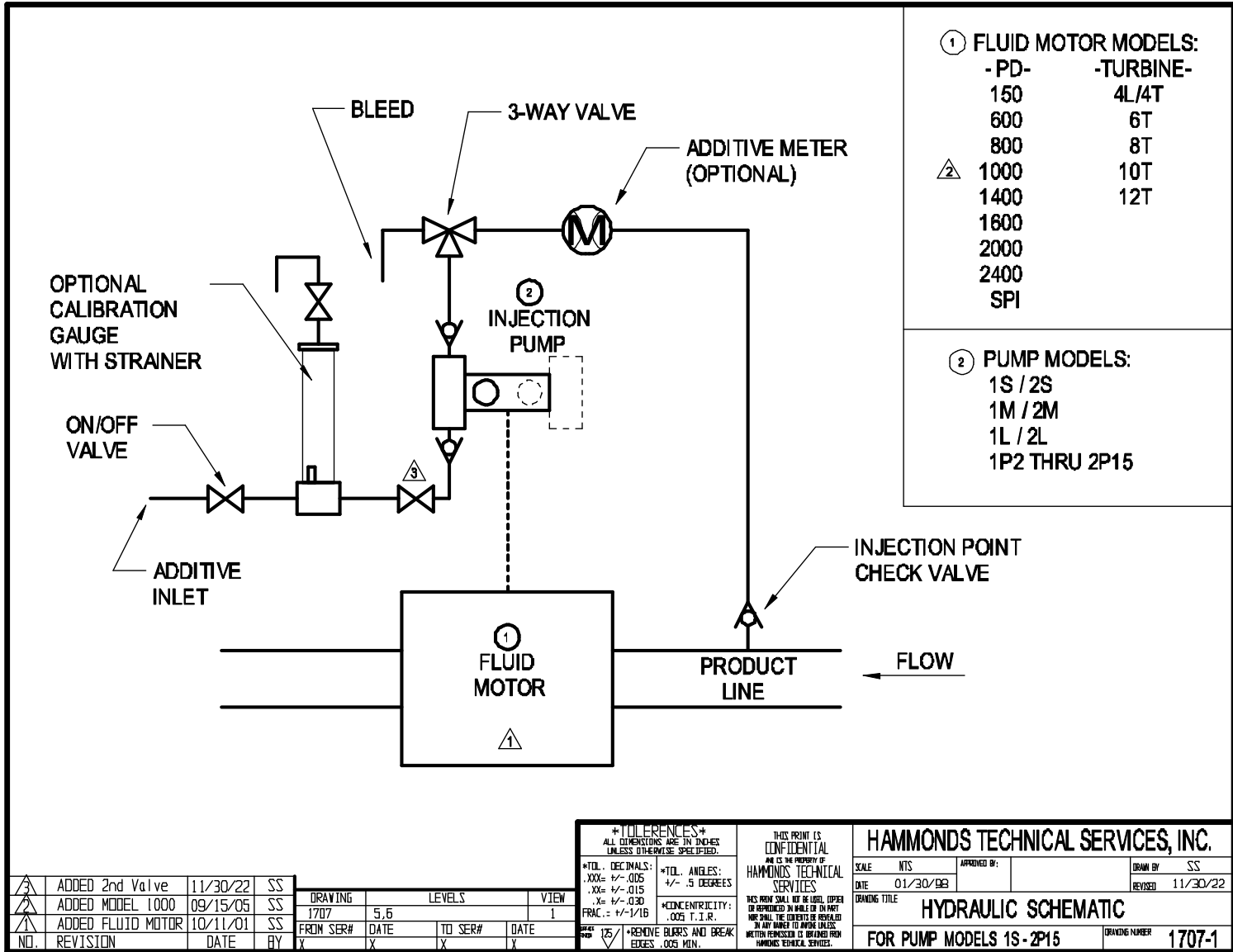
1 PUMP MODEL VARIES



TOLERANCES ALL DIMENSIONS ARE IN INCHES UNLESS OTHERWISE SPECIFIED.		THIS PRINT IS CONFIDENTIAL AND IS THE PROPERTY OF HAMMONDS TECHNICAL SERVICES		HAMMONDS TECHNICAL SERVICES, INC.				
*TOL. DECIMALS: .XX± +/- .005 .XX± +/- .015 .X± +/- .030 FRAC. = +/- 1/16		*TOL. ANGLES: +/- .5 DEGREES		SCALE: NTS	APPROVED PART NUMBER			
*CONCENTRICITY: .005 T.I.R.		*REMOVE BURRS AND BREAK EDGES .005 MIN.		DATE: 07/30/24	REVISION: SS			
SURFACE FINISH: 125/		THIS PRINT SHALL NOT BE USED, COPIED OR REPRODUCED IN WHOLE OR IN PART AND SHALL BE RETURNED TO THE DRAWER IN ANY MANNER TO AVOID UNLESS WRITTEN PERMISSION IS OBTAINED FROM HAMMONDS TECHNICAL SERVICES.		DRAWING TITLE: HAMMONDS MODEL 1000-1P5 1				
DRAWING: 1000-2		LEVELS: 30-32		DRAWING NUMBER: 4" 150# RF				
VIEW: I		DATE: X		DRAWING NUMBER: 8677				
NO.	REVISION	DATE	BY	APPVD	FROM SER#	DATE	TO SER#	DATE
		07/30/24	SS	JH	X	X	X	X

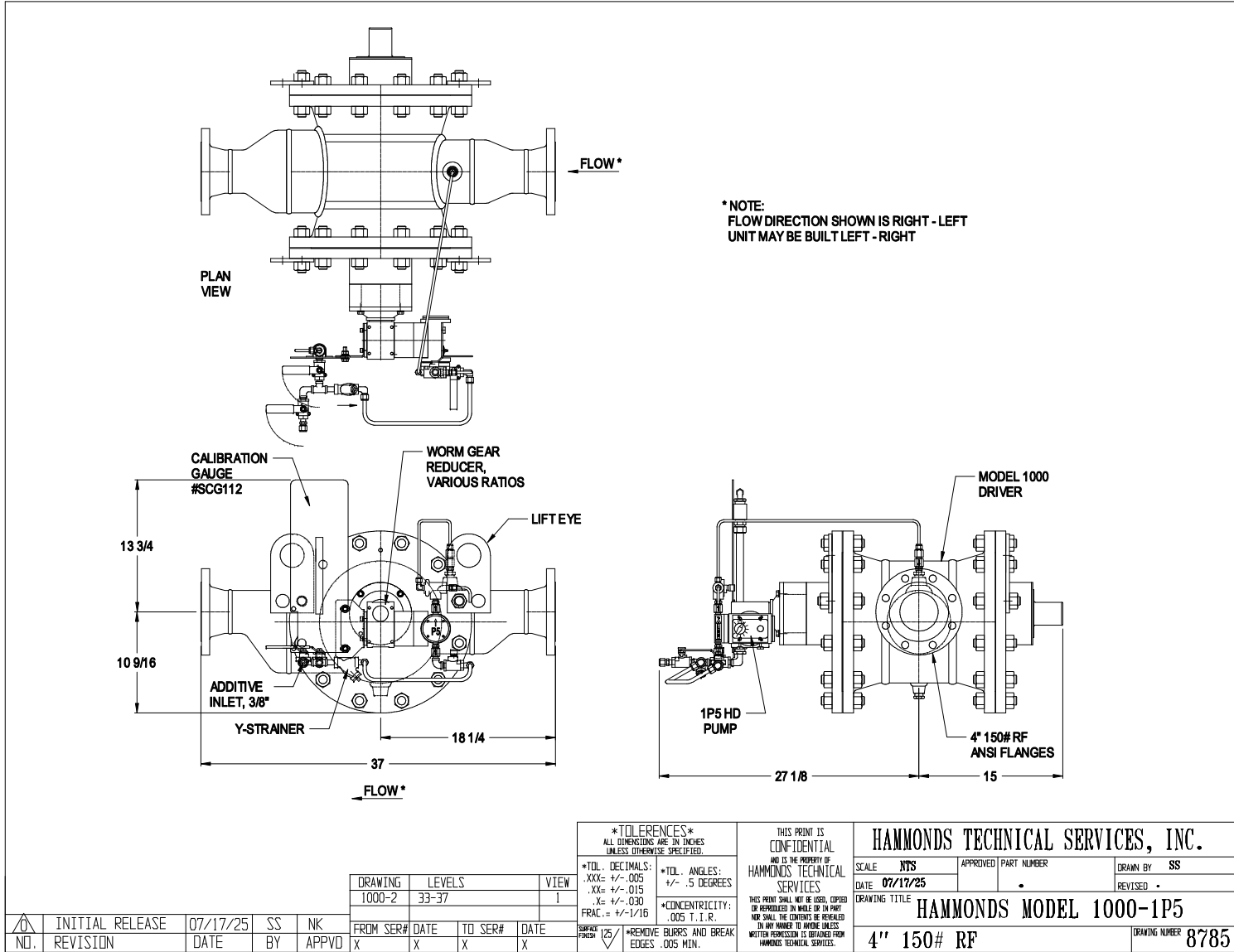


Model 1000-1P Injection System Manual



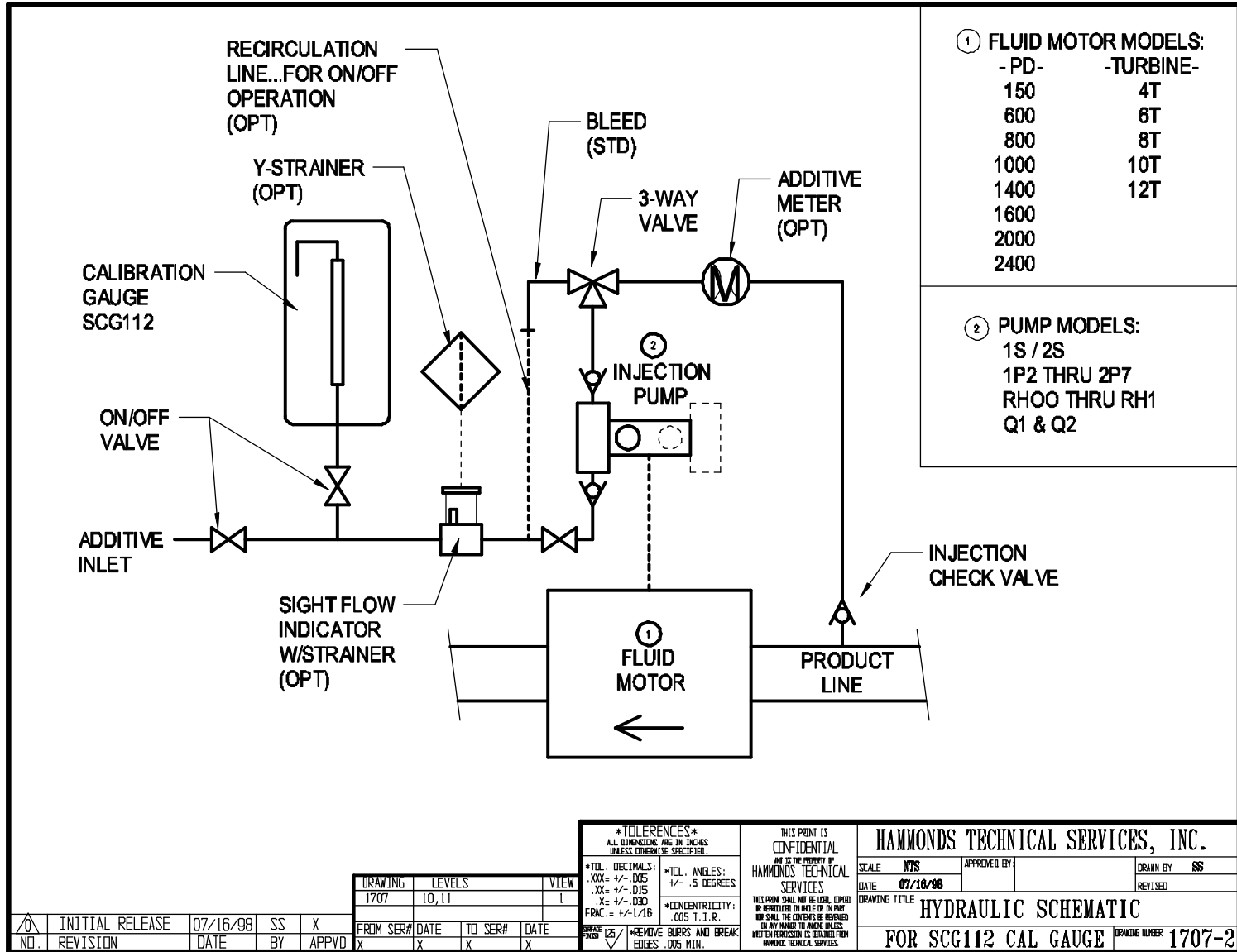


Model 1000-1P Injection System Manual





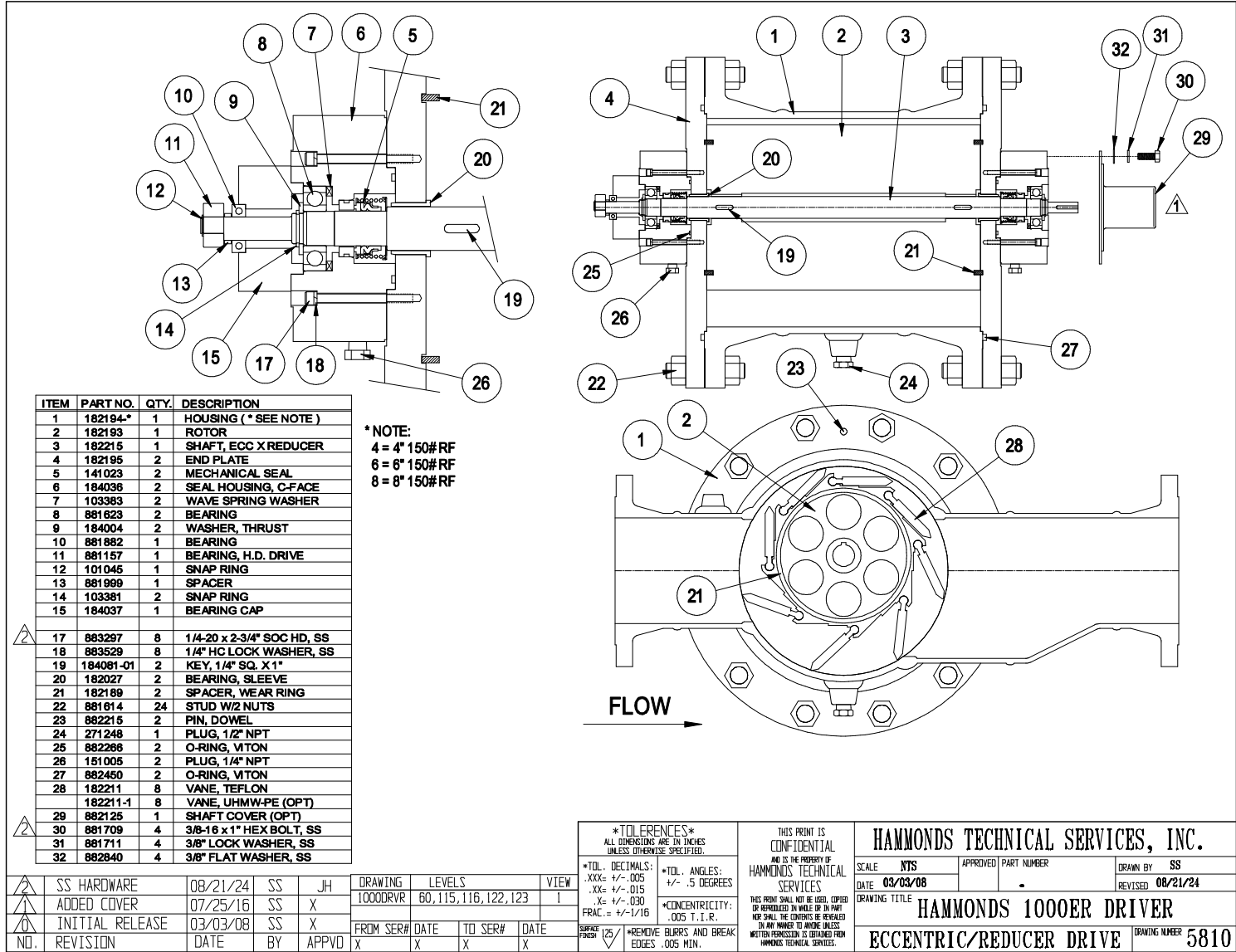
Model 1000-1P Injection System Manual



<table border="1" style="width: 100%; border-collapse: collapse;"> <tr> <th>DRAWING</th> <th>LEVELS</th> <th>VIEW</th> </tr> <tr> <td>1707</td> <td>10, 11</td> <td>1</td> </tr> </table>				DRAWING	LEVELS	VIEW	1707	10, 11	1	<p>*TOLERANCES* ALL DIMENSIONS ARE IN THICKS UNLESS OTHERWISE SPECIFIED.</p>		<p>THIS PRINT IS CONFIDENTIAL IT IS THE PROPERTY OF HAMMONDS TECHNICAL SERVICES</p>		<p>HAMMONDS TECHNICAL SERVICES, INC.</p>							
				DRAWING	LEVELS	VIEW															
1707	10, 11	1																			
<table border="1" style="width: 100%; border-collapse: collapse;"> <tr> <td>NO.</td> <td>REVISION</td> <td>DATE</td> <td>BY</td> <td>APPVD</td> </tr> <tr> <td></td> <td>INITIAL RELEASE</td> <td>07/16/98</td> <td>SS</td> <td>X</td> </tr> </table>				NO.	REVISION	DATE	BY	APPVD		INITIAL RELEASE	07/16/98	SS	X	<p>*TOL. DECIMALS: .XXX = +/- .005 .XX = +/- .015 .X = +/- .030 FRAC. = +/- 1/16</p>		<p>*TOL. ANGLES: +/- .5 DEGREES</p>		<p>SCALE: NTS APPROVED BY: [Signature]</p>		<p>DRAWN BY: SS</p>	
NO.	REVISION	DATE	BY	APPVD																	
	INITIAL RELEASE	07/16/98	SS	X																	
<table border="1" style="width: 100%; border-collapse: collapse;"> <tr> <th>FROM SER#</th> <th>DATE</th> <th>TO SER#</th> <th>DATE</th> </tr> <tr> <td>X</td> <td>X</td> <td>X</td> <td>X</td> </tr> </table>				FROM SER#	DATE	TO SER#	DATE	X	X	X	X	<p>*CONCENTRICITY: .005 T.I.R.</p>		<p>DATE: 07/16/98</p>		<p>REVISED</p>					
FROM SER#	DATE	TO SER#	DATE																		
X	X	X	X																		
				<p>*REMOVE BURRS AND BREAK EDGES .005 MIN.</p>		<p>DRAWING TITLE: HYDRAULIC SCHEMATIC</p>		<p>FOR SCG112 CAL GAUGE DRAWING NUMBER: 1707-2</p>													



Model 1000-1P Injection System Manual



ITEM	PART NO.	QTY.	DESCRIPTION
1	182194*	1	HOUSING (* SEE NOTE)
2	182193	1	ROTOR
3	182215	1	SHAFT, ECC X REDUCER
4	182195	2	END PLATE
5	141023	2	MECHANICAL SEAL
6	184036	2	SEAL HOUSING, C-FACE
7	103383	2	WAVE SPRING WASHER
8	881623	2	BEARING
9	184004	2	WASHER, THRUST
10	881882	1	BEARING
11	881157	1	BEARING, H.D. DRIVE
12	101045	1	SNAP RING
13	881999	1	SPACER
14	103381	2	SNAP RING
15	184037	1	BEARING CAP
17	883297	8	1/4-20 x 2-3/4" SOC HD, SS
18	883529	8	1/4" HC LOCK WASHER, SS
19	184081-01	2	KEY, 1/4" SQ. X 1"
20	182027	2	BEARING, SLEEVE
21	182189	2	SPACER, WEAR RING
22	881614	24	STUD W/2 NUTS
23	882215	2	PIN, DOWEL
24	271248	1	PLUG, 1/2" NPT
25	882268	2	O-RING, VITON
26	151005	2	PLUG, 1/4" NPT
27	882450	2	O-RING, VITON
28	182211	8	VANE, TEFLON
	182211-1	8	VANE, UHMWPE (OPT)
29	882125	1	SHAFT COVER (OPT)
30	881709	4	3/8-16 x 1" HEX BOLT, SS
31	881711	4	3/8" LOCK WASHER, SS
32	882840	4	3/8" FLAT WASHER, SS

* NOTE:
 4 = 4" 150# RF
 6 = 6" 150# RF
 8 = 8" 150# RF

NO.	REVISION	DATE	BY	APPVD
△	SS HARDWARE	08/21/24	SS	JH
△	ADDED COVER	07/25/16	SS	X
△	INITIAL RELEASE	03/03/08	SS	X

DRAWING	LEVELS	VIEW
1000DRVR	60, 115, 116, 122, 123	I

FROM SER#	DATE	TO SER#	DATE
X	X	X	X

TOLERANCES
 ALL DIMENSIONS ARE IN INCHES UNLESS OTHERWISE SPECIFIED.

*TOL. DECIMALS:
 .XXX= +/- .005
 .XX= +/- .015
 .X= +/- .030
 FRAC. = +/- 1/16

*TOL. ANGLES:
 +/- .5 DEGREES

*CONCENTRICITY:
 .005 T.I.R.

*REMOVE BLURS AND BREAK EDGES .005 MIN.

THIS PRINT IS CONFIDENTIAL AND IS THE PROPERTY OF HAMMONDS TECHNICAL SERVICES

THIS PRINT SHALL NOT BE USED, COPIED OR REPRODUCED IN WHOLE OR IN PART IN ANY MANNER TO AVOID UNLESS WRITTEN PERMISSION IS OBTAINED FROM HAMMONDS TECHNICAL SERVICES.

HAMMONDS TECHNICAL SERVICES, INC.			
SCALE: NTS	APPROVED PART NUMBER:	DRAWN BY: SS	
DATE: 03/03/08		REVISED: 08/21/24	
DRAWING TITLE: HAMMONDS 1000ER DRIVER			
ECCENTRIC/REDUCER DRIVE			DRAWING NUMBER: 5810



Model 1000-1P Injection System Manual

COMPLETE ASSEMBLY NUMBER INCLUDES:
BASE MODEL #, RATIO, OPTIONS
EXAMPLE: 88620 S - 10 - 4T X E H

S = Single Output D = Dual Output	4T = 4T or 4L 8T = for 8T - 12T XX = other	E = Ecc Drive A = 3/4" Keyed B = 5/8" Keyed
S = STD (Extension not req'd) X = Shaft Ext & HT Spacer		H = Horiz Input (Std) V = Vertical Input

ITEM	PART NO.	QTY.	DESCRIPTION
1	886200-05	1	5:1 REDUCER
	886200-07	1	7.5:1 REDUCER
	886200-10	1	10:1 REDUCER
	886200-15	1	15:1 REDUCER
	886200-20	1	20:1 REDUCER
	886200-25	1	25:1 REDUCER
	886200-30	1	30:1 REDUCER
	886200-40	1	40:1 REDUCER
	886200-50	1	50:1 REDUCER
	886200-60	1	60:1 REDUCER
	886200-80	1	80:1 REDUCER
	886200-100	1	100:1 REDUCER
2	282071	1	OUTPUT SHAFT, SINGLE ECC
3	282072	1	OUTPUT SHAFT, DUAL ECC
4	282075	1	KEY, 3/16" SQ x 3"
5	103058	2	EXTERNAL SNAP RING
* 6	282069	1	OUTPUT SPACER
* 7	885269	4	M6-1 x 30MM SOC HD CAP
* 8	885270	4	M6 HC LOCK WASHER
* 9	282070	1	PUMP MOUNT BLOCK
* 10	885274	4	5/16-18 x 2" SOC HD CAP
* 11	882352	4	5/16 HC LOCK WASHER
* 12	881882	1	BEARING
* 13	881999	1	SPACER
* 14	881167	1	HD DRIVE BEARING
* 15	101045	1	EXTERNAL SNAP RING
16	282068	1	INPUT SPACER
17	282045	1	INPUT HEIGHT SPACER (OPT)
18	881066	1	1/2" FLEX COUPLING HALF
19	231077	1	RUBBER SPIDER
20	881022	1	5/8" FLEX COUPLING HALF
21	282021	1	SHAFT EXTENSION, 1/2" (OPT)
	282056	1	SHAFT EXTENSION, 5/8" (OPT)
22	881398	2	1/4-20 SET SCREW
23	883614	4	3/8-16 x 3-1/2" HHB, SS
24	885383	4	3/8-16 x 4-1/2" HHB, SS (OPT)
25	881083	4	3/8" LOCK WASHER
26	282073	1	SHAFT COVER SPACER
27	282074	1	SHAFT COVER
28	885268	2	M6-1 x 16MM SOC HD CAP
29	885270	2	M6 HC LOCK WASHER
30	882228	1	KEY, 3/16" SQ x 5/8"
31	882351	2	5/16-18 x 2-3/4" SOC HD CAP

NOTE: FOR HD FRAME, USE (2) #31 & (2) #10
FOR STD FRAME, USE (4) #10

* DOUBLE QTY FOR PUMP ON BOTH SIDES

ADDED SS BOLTS	07/18/25	SS	NK
ADDED KEY	12/06/24	SS	JH
REVISED 282068	12/12/18	SS	JH
INITIAL RELEASE	12/05/16	SS	JH
NO. REVISION	DATE	BY	APPROV

DRAWING	LEVELS	VIEW	
GEARRED	136-138	I	
FROM SER#	DATE	TO SER#	DATE
X	X	X	X

TOLERANCES
ALL DIMENSIONS ARE IN INCHES UNLESS OTHERWISE SPECIFIED.

*TOL. DECIMALS:
.XXX = +/- .005
.XX = +/- .015
.X = +/- .030
FRAC. = +/- 1/16

*TOL. ANGLES:
+/- .5 DEGREES

*CONCENTRICITY:
.005 T.I.R.

REMOVE BURRS AND BREAK EDGES .005 MIN.

THIS PRINT IS CONFIDENTIAL AND IS THE PROPERTY OF HAMMONDS TECHNICAL SERVICES. THIS PRINT SHALL NOT BE LOANED, COPIED OR REPRODUCED IN WHOLE OR IN PART IN ANY MANNER TO AVOID UNLESS WRITTEN PERMISSION IS OBTAINED FROM HAMMONDS TECHNICAL SERVICES.

HAMMONDS TECHNICAL SERVICES, INC.

SCALE: NTS	APPROVED PART NUMBER: SEE TABLE	DRAWN BY: SS
DATE: 12/05/18		REVISED: 07/18/25
DRAWING TITLE: HD WORM GEAR REDUCER		DRAWING NUMBER: 7486



Model 1000-1P Injection System Manual

ITEM	PART NO.	QTY.	DESCRIPTION
1	101014	1	POWER FRAME
2	102266	1	PLUNGER, P2
3	102267	1	FLUID END, P2
4	882949	8	LOCK WASHER, #10 INT. TOOTH
5	881780	4	SCREW, 10-32 x 2 3/4"
6	101842	1	CROSSHEAD GUIDE
7	101007	2	RETURN SPRING
8	101006	1	CROSSHEAD
9	101152	2	SLIDE BEARING
10	101005	1	STROKE ADJUSTMENT CAM
11	101003	1	CAM GUIDE
12	101001	1	STROKE ADJUSTMENT KNOB
13	101002	1	POWER FRAME COVER
14	101004-BW	1	LOCK SCREW
15	101009	4	SCREW, 8-32 x 3/8"
16	881086	4	LOCKWASHER, #6
17	101010	4	SCREW, 6-32 x 3/8"
18	881089	4	SCREW, 10-32 x 3/4"
18A	881660	4	SCREW, 10-32 x 2 1/4" (OPTION)
19	104321	2	CHECK VALVE, 1/8", 1 PSI, AFLAS
20	102269	1	O-RING, AFLAS
20A	102270	1	O-RING, VITON (OPTION)
21	102268	1	SEAL HOUSING, P2
22	881024	1	SEAL, LIP
24	104315	1	CHECK VALVE, 1/4", 5 PSI, AFLAS
24	104314	1	CHECK VALVE, 1/4", 5 PSI, VITON (OPT)
25	101058	1	1/4 x 1/4 FNPT TUBE ADAPT

NO.	REVISION	DATE	BY	APPVD
1	NEW LOCK SCREW	11/01/24	SS	JH
2	ADDED VITON CK VLV	09/23/24	SS	JH
3	WAS 102783 & 882911	04/05/23	SS	JH
4	WAS #102463	02/20/08	SS	X
5	WAS #101933	03/15/04	SS	X

DRAWING	LEVELS		
INJECTOR	10, 12, 14, 16, 18, 20, 24, 28, 30, 39-41, 89, 90, 202-205		
FROM SER#	DATE	TO SER#	DATE
X	X	X	X

TOLERANCES	
ALL DIMENSIONS ARE IN INCHES UNLESS OTHERWISE SPECIFIED.	
*TOL. DECIMALS:	*TOL. ANGLES:
.XXX = +/- .005	+/- .5 DEGREES
.XX = +/- .015	
.X = +/- .030	
FRAC. = +/- 1/16	
*CONCENTRICITY:	
.005 T. I. R.	
*REMOVE BURRS AND BREAK EDGES .005 MIN.	

HAMDONS TECHNICAL SERVICES, INC.			
SCALE: NTS	APPROVED PART NUMBER	DRAWN BY: SS	
DATE: 06/20/95		REVISED: 11/01/24	
DRAWING TITLE: HAMMONDS 1P2 PUMP			DRAWING NUMBER: 4567



Model 1000-1P Injection System Manual

26	882352	2	LOCK WASHER, 5/16" SS (OPTION)
27	883863	2	SCREW, 5/16-18 x 1 1/4" SS (OPTION)
27A	882351	2	SCREW, 5/16-18 x 2 3/4" SS (OPTION)
28	102480	2	O-RING (OPTION)
29	102747 A	1	DUST CAP STD. (OPTION)
30	102746	1	DUST PLUG (OPTION)

ITEM	PART NO.	QTY.	DESCRIPTION
1	102757	1	POWER FRAME, HD ALUM.
2	881045	1	SETSCREW, 1/4-20 x 1 (PART OF #3)
3	102266	1	PLUNGER, P2
4	881024	1	SEAL, LIP
5			
6	102268	1	SEAL HOUSING, P2
7	102269	1	O-RING, AFLAS
	102270	1	O-RING, VITON (OPTION)
8	102267	1	FLUID END, P2
9	882949	12	LOCK WASHER, #10 INTERNAL
10	881780	4	SCREW, #10-32 x 2 3/4"
11	104321	2	CHECK V.L.V, 1/8", 1 PSI, AFLAS
	104320	2	CHECK V.L.V, 1/8", 1 PSI, VITON (OPT)
12	101007	2	RETURN SPRING
13	101006	1	CROSSHEAD
14	101152	2	SLIDE BEARING
15	101005	1	STROKE ADJUSTMENT CAM
16	102758	1	PUMP FRAME COVER, HD ALUM
17	101670	1	STROKE INDICATOR
18	101037	2	SCREW, #10-32 x 1 1/2"
19	881128	4	SCREW, #10-32 x 1/2"
19A	881128	4	SCREW, #10-32 x 1/2" (OPTION)
20	101001	1	STROKE ADJUSTMENT KNOB
21			
22	881301	4	SCREW, #10-32 x 1"
22A	883170	4	SCREW, #10-32 x 2 1/2" (OPT)
23	101038	4	LOCK WASHER, #10 H.C.
24	104315	1	CHECK VALVE, 5 PSI, AFLAS
	104314	1	CHECK VALVE, 5 PSI, VITON (OPT)
25	101058	1	1/4 x 1/4 FNPT TUBE ADAPT.

△	NEW CHECK VALVES	11/22/24	SS	JH	DRAWING	LEVELS	VIEW
△	ADDED STD DUST CAP	09/30/16	SS	JH	INJECTOR	40, 90, 139-141, 143	I
△	INITIAL RELEASE	04/03/09	SS	X	FROM SER#	DATE TO SER#	DATE
NO.	REVISION	DATE	BY	APPVD	X	X	X

TOLERANCES	
ALL DIMENSIONS ARE IN INCHES UNLESS OTHERWISE SPECIFIED.	
*TOL. DECIMALS:	*TOL. ANGLES:
.XXX= +/- .005	+/- .5 DEGREES
.XX= +/- .015	
.X= +/- .030	*CONCENTRICITY:
FRAC. = +/- 1/16	.005 T. I. R.
<input checked="" type="checkbox"/> SURF FINISH 125	*REMOVE BURRS AND BREAK EDGES .005 MIN.

THIS PRINT IS CONFIDENTIAL AND IS THE PROPERTY OF HAMMONDS TECHNICAL SERVICES	
THIS PRINT SHALL NOT BE USED, COPIED OR REPRODUCED IN WHOLE OR IN PART AND SHALL BE RETURNED OR DESTROYED IN ANY MANNER TO WHOME UNLESS WRITTEN PERMISSION IS OBTAINED FROM HAMMONDS TECHNICAL SERVICES.	

HAMMONDS TECHNICAL SERVICES, INC.			
SCALE	NTS	APPROVED PART NUMBER	DRAWN BY SS
DATE	04/03/08		REVISED 11/22/24
DRAWING TITLE			
HAMMONDS 1P2 PUMP			
HEAVY DUTY			DRAWING NUMBER 6120



Model 1000-1P Injection System Manual

ITEM	PART NO.	QTY.	DESCRIPTION
1	101014	1	POWER FRAME
2	102339	1	PLUNGER, P5
3	102340	1	FLUID END, P5
4	882949	8	LOCK WASHER, #10 INT. TOOTH
5	881317	4	SCREW, 10-32 x 2"
6	101842	1	CROSSHEAD GUIDE
7	101007	2	RETURN SPRING
8	101006	1	CROSSHEAD
9	101152	2	SLIDE BEARING
10	101005	1	STROKE ADJUSTMENT CAM
11	101003	1	CAM GUIDE
12	101001	1	STROKE ADJUSTMENT KNOB
13	101002	1	POWER FRAME COVER
14	101004	1	LOCK SCREW
15	101009	4	SCREW, 8-32 x 3/8"
16	881086	4	LOCKWASHER, #8
17	101010	4	SCREW, 6-32 x 3/8"
18	881089	4	SCREW, 10-32 x 3/4"
18A	881680	4	SCREW, 10-32 x 2 1/4" (OPTION)
▲▲	19	104311	2 CHECK VALVE, 1PSI, AFLAS
▲		104310	2 CHECK VALVE, 1PSI, VITON (OPT)
▲		104318	2 CHECK VALVE, 1PSI, KALREZ (OPT)
▲	20	101856	1 O-RING, AFLAS
		101857	1 O-RING, VITON (OPTION)
▲		103514	1 O-RING, KALREZ (OPTION)
▲	21	102341	1 SEAL HOUSING, P5
	22	881079	1 SEAL, LIP
▲▲	23	881045	1 SETSCREW, 1/4-20 x 1" (PART OF #2)
▲	24	104315	1 CHECK VALVE, 5 PSI, AFLAS
		104314	1 CHECK VALVE, 5 PSI, VITON (OPT)
▲		104319	1 CHECK VALVE, 5 PSI, KALREZ (OPT)
	25	101088	1 3/8 x 1/4 FNPT TUBE ADAPT.

▲	NEW CHECK VALVES	05/15/23	SS	JH					
▲	ADDED KALREZ OPT	06/25/09	SS	.	DRAWING	LEVELS			
▲	WAS #101671	03/15/04	SS	.	INJECTOR	10, 12, 14, 16, 18, 20, 24, 28, 30			
▲	WAS #101933	03/15/04	SS	.		39-41, 89-93, 95-97, 99, 118, 119			
NO.	REVISION	DATE	BY	APVD	FROM SER#	DATE	TO SER#	DATE	
				X	X	X	X	X	

TOLERANCES ALL DIMENSIONS ARE IN INCHES UNLESS OTHERWISE SPECIFIED.		THIS PRINT IS CONFIDENTIAL AND IS THE PROPERTY OF HAMMONDS TECHNICAL SERVICES		HAMMONDS TECHNICAL SERVICES, INC.	
*TOL. DECIMALS: .XX= +/- .005 .XX= +/- .015 .X= +/- .030 FRAC = +/- 1/16	*TOL. ANGLES: +/- .5 DEGREES	*CONCENTRICITY: .005 T.I.R.	*REMOVE BLURBS AND BREAK EDGES .005 MIN.	SCALE: NTS	APPROVED PART NUMBER
DRAWING TITLE: HAMMONDS 1P5 PUMP				DATE: 10/07/99	DRAWN BY: SSS
				REVISYD: 05/15/23	DRAWING NUMBER: 3836



Model 1000-1P Injection System Manual

26	882352	2	LOCK WASHER, 5/16" SS (OPTION)
27	883863	2	SCREW, 5/16-18 x 1 1/4" SS (OPTION)
27A	882351	2	SCREW, 5/16-18 x 2 3/4" SS (OPTION)
28	102480	2	O-RING (OPTION)
29	102747A	1	DUST CAP STD. (OPTION)
30			
31	102746	1	DUST PLUG (OPTION)

ITEM	PART NO.	QTY.	DESCRIPTION
1	102757	1	POWER FRAME, HD ALUM.
2	881045	1	SETSCREW, 1/4-20 x 1 (PART OF #3)
3	102339	1	PLUNGER, P5
4	881079	1	SEAL, LIP
5			
6	102341	1	SEAL HOUSING, P5
7	101856	1	O-RING, AFLAS
	101857	1	O-RING, VITON (OPTION)
	103514	1	O-RING, KALREZ (OPTION)
4	103514-MZ	1	O-RING, MARKEZ (OPTION)
8	102340	1	FLUID END, P5
9	882949	12	LOCK WASHER, #10 INTERNAL
10	881317	4	SCREW, #10-32 x 2"
3	11	104311	CHECK VALVE, 1 PSI, AFLAS
		104310	CHECK VALVE, 1 PSI, VITON (OPT)
3	11	104318	CHECK VALVE, 1 PSI, KALREZ (OPT)
4		104311-MZ	CHECK VALVE, 1 PSI, MARKEZ (OPT)
12	101007	2	RETURN SPRING
13	101006	1	CROSSHEAD
14	101152	2	SLIDE BEARING
15	101005	1	STROKE ADJUSTMENT CAM
16	102758	1	PUMP FRAME COVER, HD ALUM
17	101870	1	STROKE INDICATOR
5	18	101004-HF	LOCK SCREW, 10-32 x 1 1/2"
19	881128	4	SCREW, #10-32 x 1 1/2"
19A	881128	4	SCREW, #10-32 x 1 1/2" (OPTION)
20	101001	1	STROKE ADJUSTMENT KNOB
21			
22	881301	4	SCREW, #10-32 x 1"
22A	883170	4	SCREW, #10-32 x 2 1/2" (OPT)
23	101038	4	LOCK WASHER, #10 H.C.
24	104315	1	CHECK VALVE, 5 PSI, AFLAS
		104314	CHECK VALVE, 5 PSI, VITON (OPT)
3		104319	CHECK VALVE, 5 PSI, KALREZ (OPT)
4		104315-MZ	CHECK VALVE, 5 PSI, MARKEZ (OPT)
25	101058	1	1/4 x 1/4 FNPT TUBE ADAPT (OPT)
	101088	1	3/8 x 1/4 FNPT TUBE ADAPT (OPT)

5	NEW LOCK SCREW	05/16/25	SS	JH
4	ADDED MARKEZ OPT	04/23/25	SS	JH
3	NEW CHECK VALVES	05/15/23	SS	JH
2	ADDED STD DUST CAP	09/30/16	SS	JH
1	ADDED KALREZ OPT	06/25/09	SS	JH
0	INITIAL RELEASE	10/27/08	SS	JH
NO.	REVISION	DATE	BY	APPVD
X		X	X	X

DRAWING	LEVELS		
INJECTOR	40, 90-98, 129, 139-141, 143		
	208, 239		
FROM SER#	DATE	TO SER#	DATE
X	X	X	X

TOLERANCES	
ALL DIMENSIONS ARE IN INCHES UNLESS OTHERWISE SPECIFIED.	
*TOL. DECIMALS:	*TOL. ANGLES:
.XXX= +/- .005	+/- .5 DEGREES
.XX= +/- .015	
.X= +/- .030	
FRAC. = +/- 1/16	
*CONCENTRICITY:	
.005 T. I. R.	
*REMOVE BURRS AND BREAK EDGES .005 MIN.	

THIS PRINT IS CONFIDENTIAL AND IS THE PROPERTY OF HAMMONDS TECHNICAL SERVICES	
THIS PRINT SHALL NOT BE USED, COPIED OR REPRODUCED IN WHOLE OR IN PART FOR SHALL THE CONTENTS BE REPRODUCED IN ANY MANNER TO ANYONE UNLESS WRITTEN PERMISSION IS OBTAINED FROM HAMMONDS TECHNICAL SERVICES.	

HAMMONDS TECHNICAL SERVICES, INC.			
SCALE	NTS	APPROVED PART NUMBER	DRAWN BY SS
DATE	10/27/08		REVISED 05/18/25
DRAWING TITLE			
HAMMONDS 1P5 PUMP			
HEAVY DUTY			DRAWING NUMBER 5993



Model 1000-1P Injection System Manual

ITEM	PART NO.	QTY.	DESCRIPTION
1	101014	1	POWER FRAME
2	102137	1	PLUNGER, P6 WITH SETSCREW
3	102138	1	FLUID END, P6
4	882949	8	LOCK WASHER, #10 INT. TOOTH
5	881317	4	SCREW, 10-32 x 2"
6	101842	1	CROSSHEAD GUIDE
7	101007	2	RETURN SPRING
8	101006	1	CROSSHEAD
9	101152	2	SLIDE BEARING
10	101005	1	STROKE ADJUSTMENT CAM
11	101003	1	CAM GUIDE
12	101001	1	STROKE ADJUSTMENT KNOB
13	101002	1	POWER FRAME COVER
14	101004	1	LOCK SCREW
15	101009	4	SCREW, 8-32 x 3/8"
16	881086	4	LOCKWASHER, #6
17	101010	4	SCREW, 8-32 x 3/8"
18	881089	4	SCREW, 10-32 x 3/4"
18A	881080	4	SCREW, 10-32 x 2 1/4" (OPTION)
19	104311	2	CHECK VALVE, 1 PSI, AFLAS
	104310	2	CHECK VALVE, VITON, 1 PSI (OPT)
	104318	2	CHECK VALVE, 1 PSI, KALREZ (OPT)
20	101491	1	O-RING, AFLAS
	101417	1	O-RING, VITON (OPTION)
	103544	1	O-RING, KALREZ (OPTION)
21	102139	1	SEAL HOUSING
22	881024	1	SEAL, LIP
24	104315	1	CHECK VALVE, 5 PSI, AFLAS
	104314	1	CHECK VALVE, 5 PSI, VITON, (OPT)
	104319	1	CHECK VALVE, 5 PSI, KALREZ, (OPT)
25	101088	1	3/8 x 1/4 FNPT TUBE ADAPT.

NO.	REVISION	DATE	BY
△	NEW CHECK VALVES	05/03/23	SS
△	KALREZ OPTION	07/13/21	SS
△	NEW CHECK VALVES	03/15/04	SS
△	WAS #102263	09/03/02	SS

DRAWING	LEVELS	VIEW
INJECTOR	10, 12, 14, 16, 18, 20, 24, 28, 30 39-41, 89-93, 95-97, 99, 113, 114	7
FROM SER#	DATE	TO SER#
X	X	X

TOLERANCES	
ALL DIMENSIONS ARE IN INCHES UNLESS OTHERWISE SPECIFIED.	
*TOL. DECIMALS:	*TOL. ANGLES:
.XXX± +/- .005	+/- .5 DEGREES
.XX± +/- .015	*CONCENTRICITY:
.X± +/- .030	.005 T.I.R.
*REMOVE BURRS AND BREAK EDGES .005 MIN.	

HAMMONDS TECHNICAL SERVICES, INC.	
SCALE: NTS	APPROVED BY:
DATE: 09/22/92	REVISION: 05/03/23
DRAWING TITLE: HAMMONDS 1P6 PUMP	
DRAWING NUMBER: 1687	



Model 1000-1P Injection System Manual

26	882352	2	LOCK WASHER, 5/16" SS (OPTION)
27	883863	2	SCREW, 5/16-18 x 1 1/4" SS (OPTION)
27A	882351	2	SCREW, 5/16-18 x 2 3/4" SS (OPTION)
28	102480	2	O-RING (OPTION)
29	102747A	1	DUST CAP STD. (OPTION)
30	102746	1	DUST PLUG (OPTION)

ITEM	PART NO.	QTY.	DESCRIPTION
1	102757	1	POWER FRAME, HD ALUM.
2	881045	1	SETSCREW, 1/4-20 x 1 (PART OF #3)
3	102137	1	PLUNGER, P6
4	881024	1	SEAL, LIP
5			
6	102139	1	SEAL HOUSING, P6
7	101491	1	O-RING, AFLAS
	101417	1	O-RING, VITON (OPTION)
	103544	1	O-RING, KALREZ (OPTION)
8	102138	1	FLUID END, P6
9	882949	12	LOCK WASHER, #10 INTERNAL
10	881317	4	SCREW, #10-32 x 2"
11	104311	2	CHECK VALVE, 1 PSI, AFLAS
	104310	2	CHECK VALVE, 1 PSI, VITON (OPT)
	104318	2	CHECK VALVE, 1 PSI, KALREZ (OPT)
12	101007	2	RETURN SPRING
13	101006	1	CROSSHEAD
14	101152	2	SLIDE BEARING
15	101005	1	STROKE ADJUSTMENT CAM
16	102758	1	PUMP FRAME COVER, HD ALUM
17	101870	1	STROKE INDICATOR
18	101037	2	SCREW, #10-32 x 1 1/2"
19	881126	4	SCREW, #10-32 x 1/2"
19A	881126	4	SCREW, #10-32 x 1/2" (OPTION)
20	101001	1	STROKE ADJUSTMENT KNOB
21			
22	881301	4	SCREW, #10-32 x 1"
22A	883170	4	SCREW, #10-32 x 2 1/2" (OPT)
23	101038	4	LOCK WASHER, #10 H.C.
24	104315	1	CHECK VALVE, 5 PSI, AFLAS
	104314	1	CHECK VALVE, 5 PSI, VITON (OPT)
	104319	1	CHECK VALVE, 5 PSI, KALREZ (OPT)
25	101088	1	3/8 x 1/4 FNPT TUBE ADAPT.

△	NEW CHECK VALVES	05/03/23	SS	JH
△	ADDED STD DUST CAP	09/30/16	SS	X
△	ADDED KALREZ OPT	09/20/16	SS	X
△	INITIAL RELEASE	10/27/08	SS	X
△	REVISION			

DRAWING	LEVELS	VIEW	
INJECTOR	40, 90-93, 95-97, 129, 139-141, 143, 208, 239, 249	1	
FROM SER#	DATE	TO SER#	DATE
X	X	X	X

TOLERANCES
ALL DIMENSIONS ARE IN INCHES UNLESS OTHERWISE SPECIFIED.

*TOL. DECIMALS:
.XXX= +/- .005
.XX= +/- .015
.X= +/- .030
FRAC. = +/- 1/16

*TOL. ANGLES:
+/- .5 DEGREES

*CONCENTRICITY:
.005 T.I.R.

*REMOVE BURRS AND BREAK EDGES .005 MIN.

THIS PRINT IS CONFIDENTIAL AND IS THE PROPERTY OF HAMMONDS TECHNICAL SERVICES

THIS PRINT SHALL NOT BE USED, COPIED OR REPRODUCED IN WHOLE OR IN PART WITHOUT PERMISSION IS OBTAINED FROM HAMMONDS TECHNICAL SERVICES.

HAMMONDS TECHNICAL SERVICES, INC.			
SCALE: NTS	APPROVED PART NUMBER	DRAWN BY: SS	
DATE: 10/27/08		REVISED: 05/03/23	
DRAWING TITLE: HAMMONDS 1P6 PUMP			
HEAVY DUTY			DRAWING NUMBER: 6017



Model 1000-1P Injection System Manual

ITEM	PART NO.	QTY.	DESCRIPTION
1	101014	1	POWER FRAME
2	102192	1	PLUNGER, P7
3	102193	1	FLUID END, P7
4	882949	8	LOCK WASHER, #10 INT. TOOTH
5	881317	4	SCREW, 10-32 x 2"
6	101842	1	CROSSHEAD GUIDE
7	101007	2	RETURN SPRING
8	101006	1	CROSSHEAD
9	101152	2	SLIDE BEARING
10	101005	1	STROKE ADJUSTMENT CAM
11	101003	1	CAM GUIDE
12	101001	1	STROKE ADJUSTMENT KNOB
13	101002	1	POWER FRAME COVER
14	101004-BW	1	LOCK SCREW
15	101009	4	SCREW, 8-32 x 3/8"
16	881086	4	LOCKWASHER, #6
17	101010	4	SCREW, 6-32 x 3/8"
18	881089	4	SCREW, 10-32 x 3/4"
18A	881680	4	SCREW, 10-32 x 2 1/4" (OPTION)
19	104311	2	CHECK VALVE, 1PSI, AFLAS
	104310	2	CHECK VALVE, 1PSI, VITON (OPTION)
	104318	2	CHECK VALVE, 1PSI, KALREZ (OPTION)
20	101490	1	O-RING, AFLAS
	101226	1	O-RING, VITON (OPTION)
	101754	1	O-RING, KALREZ (OPTION)
21	102194	1	SEAL HOUSING
22	881765	1	SEAL, LIP
23	881045	1	SETSCREW, 1/4-20 x 1"
24	104315	1	CHECK VALVE, 5 PSI, AFLAS
	104314	1	CHECK VALVE, 5 PSI, VITON, (OPT)
	104319	1	CHECK VALVE, 5 PSI, KALREZ, (OPT)
25	101058	1	1/4 x 1/4 FNPT TUBE ADAPT (OPT)
	101088	1	3/8 x 1/4 FNPT TUBE ADAPT (OPT)

△	NEW LOCK SCREW	11/01/24	SS	JH
△	NEW CHECK VALVES	05/03/23	SS	JH
△	ADDED PART NOS	01/21/14	SS	JH
△	WAS #101671	03/15/04	SS	JH
△	WAS #101933	03/15/04	SS	JH
△	WAS #102263	09/03/02	SS	JH
△	WAS #101008	08/99	SS	JH
△	ADDED INJ CHK VLV	01/06/98	SS	JH
NO.	REVISION	DATE	BY	

DRAWING	LEVELS	VIEW	
INJECTOR	10, 12, 14, 16, 18, 20, 24, 28, 30	I	
	39-41, 89-93, 95-97, 99, 110, 111		
FROM SER#	DATE	TO SER#	DATE
X	X	X	X

TOLERANCES ALL DIMENSIONS ARE IN INCHES UNLESS OTHERWISE SPECIFIED.		THIS PRINT IS CONFIDENTIAL AND IS THE PROPERTY OF HAMMONDS TECHNICAL SERVICES		HAMMONDS TECHNICAL SERVICES, INC.	
*TOL. DECIMALS: .XXX± +/- .005 .XX± +/- .015 .X± +/- .030 FRAC. ± +/- 1/16	*TOL. ANGLES: +/- .5 DEGREES	*CONCENTRICITY: .005 T.I.R.	THIS PRINT SHALL NOT BE USED, COPIED OR REPRODUCED IN WHOLE OR IN PART NOT SHALL THE CONTENTS BE REVEALED IN ANY MANNER TO ANYONE UNLESS WRITTEN PERMISSION IS OBTAINED FROM HAMMONDS TECHNICAL SERVICES.		
SURFACE FINISH 125/		*REMOVE BURRS AND BREAK EDGES .005 MIN.		SCALE NTS	APPROVED PART NUMBER
				DATE 05/11/93	DRAWN BY SS
				REVISIONED 11/01/24	
				DRAWING TITLE HAMMONDS 1P7 PUMP ASSEMBLY	
				DRAWING NUMBER 1911	



Model 1000-1P Injection System Manual

26	882352	2	LOCK WASHER, 5/16" SS (OPTION)
27	883863	2	SCREW, 5/16-18 x 1 1/4" SS (OPTION)
27A	882351	2	SCREW, 5/16-18 x 2 3/4" SS (OPTION)
28	102480	2	O-RING (OPTION)
29	102747A	1	DUST CAP (OPTION)
30			
31	102746	1	DUST PLUG (OPTION)

ITEM	PART NO.	QTY.	DESCRIPTION
1	102757	1	POWER FRAME, HD ALUM.
2	881045	1	SETSCREW, 1/4-20 x 1 (PART OF #3)
3	102192	1	PLUNGER, P7
4	881765	1	SEAL, LIP
5	101749	1	1/8" FILTER (OPTION)
6	102194	1	SEAL HOUSING
6A	102474	1	SEAL HOUSING, VENTED (OPTION)
7	101490	1	O-RING, AFLAS
	101226	1	O-RING, VITON (OPTION)
	101754	1	O-RING, KALREZ (OPTION)
8	102193	1	FLUID END, P7
9	882949	12	LOCK WASHER, #10 INTERNAL
10	881317	4	SCREW, #10-32 x 2"
11	104311	2	CHECK VALVE, 1PSI, AFLAS
	104310	2	CHECK VALVE, 1PSI, VITON (OPT)
	104318	2	CHECK VALVE, 1PSI, KALREZ (OPT)
12	101007	2	RETURN SPRING
13	101006	1	CROSSHEAD
14	101152	2	SLIDE BEARING
15	101005	1	STROKE ADJUSTMENT CAM
16	102758	1	PUMP FRAME COVER, HD ALUM
17	101670	1	STROKE INDICATOR
18	101004-HF	2	LOCK SCREW, 10-32 x 1 1/2"
19	881126	4	SCREW, #10-32 x 1 1/2"
19A	881128	4	SCREW, #10-32 x 1 1/2" (OPTION)
20	101001	1	STROKE ADJUSTMENT KNOB
21	101749	1	1/8" FILTER (OPTION)
22	881301	4	SCREW, #10-32 x 1"
22A	883170	4	SCREW, #10-32 x 2 1/2" (OPT)
23	101038	4	LOCK WASHER, #10 H.C.
24	104315	1	CHECK VALVE, 5 PSI, AFLAS
	104314	1	CHECK VALVE, 5 PSI, VITON (OPT)
	104319	1	CHECK VALVE, 5 PSI, KALREZ (OPT)
25	101088	1	3/8 x 1/4 FNPT TUBE ADAPT.

△	NEW LOCK SCREW	05/16/25	SS	JH
△	ADDED KALREZ	01/22/24	SS	JH
△	NEW CHECK VALVES	04/19/23	SS	JH
△	ADDED STD DUST CAP	09/30/16	SS	X
△	INITIAL RELEASE	02/16/07	SS	X
NO.	REVISION	DATE	BY	APPVD

DRAWING	LEVELS		
INJECTOR	40, 90-93, 95-97, 129, 139-141		
	143, 208, 210, 239, 242, 243		
FROM SER#	DATE	TO SER#	DATE
X	X	X	X

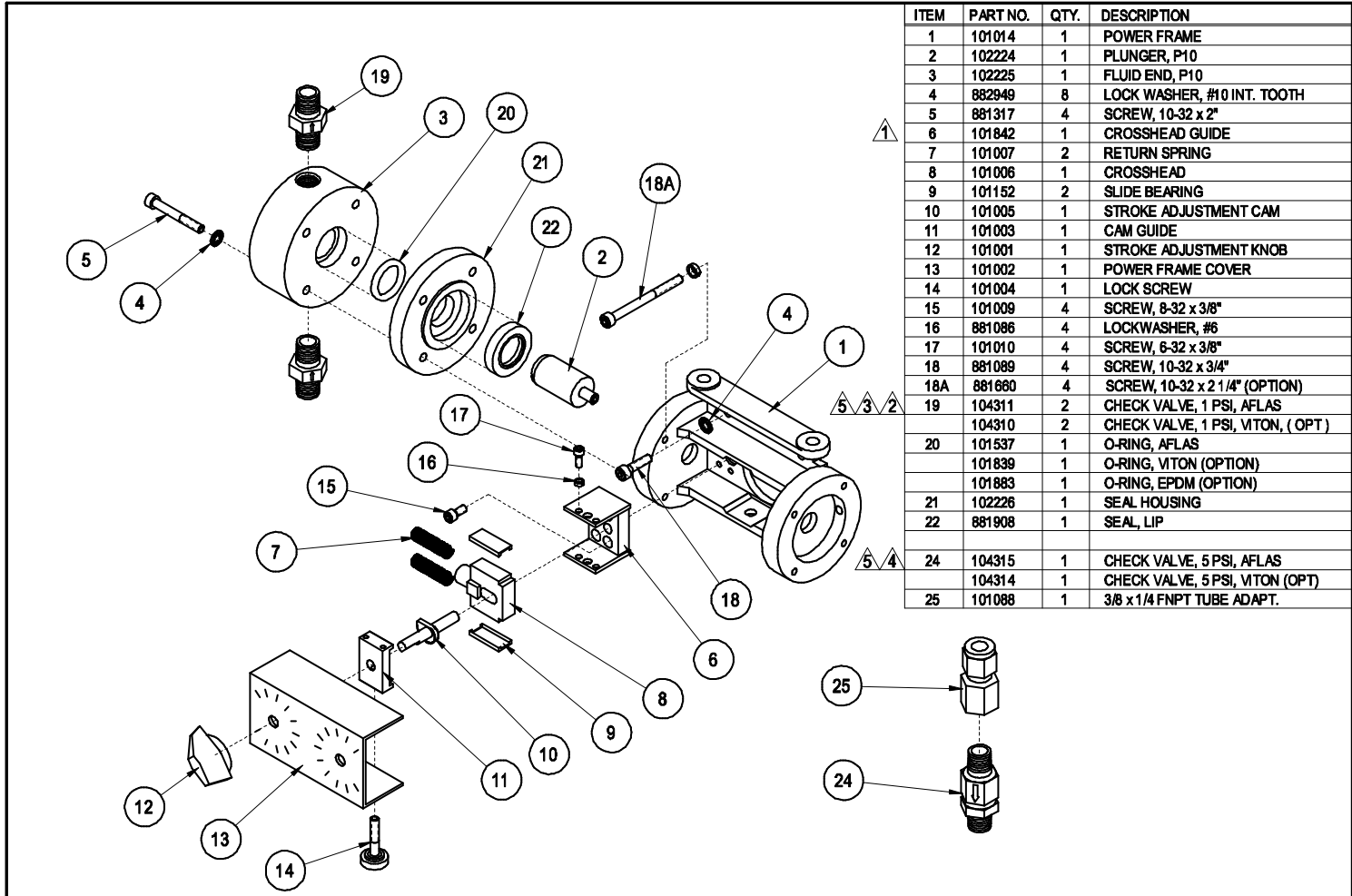
TOLERANCES	
ALL DIMENSIONS ARE IN INCHES UNLESS OTHERWISE SPECIFIED.	
*TOL. DECIMALS:	*TOL. ANGLES:
.XXX= +/- .005	+/- .5 DEGREES
.XX= +/- .015	
.X= +/- .030	
FRAC. = +/- 1/16	
*CONCENTRICITY:	
.005 T.I.R.	
SURFACE FINISH: 125/	
*REMOVE BURRS AND BREAK EDGES .005 MIN.	

THIS PRINT IS CONFIDENTIAL AND IS THE PROPERTY OF HAMMONDS TECHNICAL SERVICES	
THIS PRINT SHALL NOT BE USED, REPRODUCED OR REPRODUCED IN WHOLE OR IN PART AND SHALL BE RETURNED TO THE MANUFACTURER IN ANY MANNER TO AVOID UNLESS WRITTEN PERMISSION IS OBTAINED FROM HAMMONDS TECHNICAL SERVICES.	

HAMMONDS TECHNICAL SERVICES, INC.			
SCALE	NTS	APPROVED	PART NUMBER
DATE	02/16/07		
DRAWING TITLE			
HAMMONDS 1P7 PUMP			
HEAVY DUTY			DRAWING NUMBER
			5550



Model 1000-1P Injection System Manual



ITEM	PART NO.	QTY.	DESCRIPTION
1	101014	1	POWER FRAME
2	102224	1	PLUNGER, P10
3	102225	1	FLUID END, P10
4	882949	8	LOCK WASHER, #10 INT. TOOTH
5	881317	4	SCREW, 10-32 x 2"
6	101842	1	CROSSHEAD GUIDE
7	101007	2	RETURN SPRING
8	101006	1	CROSSHEAD
9	101152	2	SLIDE BEARING
10	101005	1	STROKE ADJUSTMENT CAM
11	101003	1	CAM GUIDE
12	101001	1	STROKE ADJUSTMENT KNOB
13	101002	1	POWER FRAME COVER
14	101004	1	LOCK SCREW
15	101009	4	SCREW, 8-32 x 3/8"
16	881086	4	LOCKWASHER, #6
17	101010	4	SCREW, 6-32 x 3/8"
18	881089	4	SCREW, 10-32 x 3/4"
18A	881680	4	SCREW, 10-32 x 2 1/4" (OPTION)
19	104311	2	CHECK VALVE, 1 PSI, AFLAS
	104310	2	CHECK VALVE, 1 PSI, VITON, (OPT)
20	101537	1	O-RING, AFLAS
	101839	1	O-RING, VITON (OPTION)
	101883	1	O-RING, EPDM (OPTION)
21	102226	1	SEAL HOUSING
22	881908	1	SEAL, LIP
24	104315	1	CHECK VALVE, 5 PSI, AFLAS
	104314	1	CHECK VALVE, 5 PSI, VITON (OPT)
25	101088	1	3/8 x 1/4 FNPT TUBE ADAPT.

△	NEW CHECK VALVES	05/03/23	SS	JH
△	WAS #101671	03/15/04	SS	JH
△	WAS #101933	03/15/04	SS	X
△	WAS #102263	09/03/02	SS	X
△	WAS #101008	08/99	SS	X
NO.	REVISION	DATE	BY	APPVD

DRAWING		LEVELS	
INJECTOR	10, 12, 14, 16, 18, 20, 24, 28, 30	TO SER#	DATE
	39-41, 89-93, 95-97, 99, 116, 117		
FROM SER#	DATE	TO SER#	DATE
X	X	X	X

TOLERANCES
ALL DIMENSIONS ARE IN INCHES UNLESS OTHERWISE SPECIFIED.

*TOL. DECIMALS:
.XXX = +/- .005
.XX = +/- .015
.X = +/- .030
FRAC. = +/- 1/16

*TOL. ANGLES:
+/- .5 DEGREES

*CONCENTRICITY:
.005 T.I.R.

REMOVE BURRS AND BREAK EDGES .005 MIN.

THIS PRINT IS CONFIDENTIAL AND IS THE PROPERTY OF HAMMONDS TECHNICAL SERVICES. THIS PRINT SHALL NOT BE USED, COPIED OR REPRODUCED IN WHOLE OR IN PART, NOR SHALL THE CONTENTS BE REVEALED IN ANY MANNER TO ANYONE WITHOUT WRITTEN PERMISSION TO BE OBTAINED FROM HAMMONDS TECHNICAL SERVICES.

HAMMONDS TECHNICAL SERVICES, INC.

SCALE: NTS APPROVED PART NUMBER: DRAWN BY: SS
DATE: 09/23/03 REVISED: 05/03/23

DRAWING TITLE: **HAMMONDS 1P10 PUMP**

DRAWING NUMBER: 2668



Model 1000-1P Injection System Manual

26	882352	2	LOCK WASHER, 5/16" SS (OPTION)
27	883863	2	SCREW, 5/16-18 x 1 1/4" SS (OPTION)
27A	882351	2	SCREW, 5/16-18 x 2 3/4" SS (OPTION)
28	102480	2	O-RING (OPTION)
29	102747A	1	DUST CAP STD. (OPTION)
30	102746	1	DUST PLUG (OPTION)

ITEM	PART NO.	QTY.	DESCRIPTION
1	102757	1	POWER FRAME, HD ALUM.
2	881045	1	SETScrew, 1/4-20 x 1 (PART OF #3)
3	102224	1	PLUNGER, P10
4	881908	1	SEAL, LIP
5			
6	102226	1	SEAL HOUSING
7	101537	1	O-RING, AFLAS
	101839	1	O-RING, VITON (OPTION)
	103519	1	O-RING, KALREZ (OPTION)
8	102225	1	FLUID END, P10
9	882949	12	LOCK WASHER, #10 INTERNAL
10	881317	4	SCREW, #10-32 x 2"
11	104311	2	CHECK VALVE, 1 PSI, AFLAS
	104310	2	CHECK VALVE, 1 PSI, VITON (OPT)
	104318	2	CHECK VALVE, 1 PSI, KALREZ (OPT)
12	101007	2	RETURN SPRING
13	101006	1	CROSSHEAD
14	101152	2	SLIDE BEARING
15	101005	1	STROKE ADJUSTMENT CAM
16	102758	1	PUMP FRAME COVER, HD ALUM
17	101670	1	STROKE INDICATOR
18	101037	2	SCREW, #10-32 x 1 1/2"
19	881126	4	SCREW, #10-32 x 1/2"
19A	881126	4	SCREW, #10-32 x 1/2" (OPTION)
20	101001	1	STROKE ADJUSTMENT KNOB
21			
22	881301	4	SCREW, #10-32 x 1"
22A	883170	4	SCREW, #10-32 x 2 1/2" (OPT)
23	101038	4	LOCK WASHER, #10 H.C.
24	104315	1	CHECK VALVE, 5 PSI, AFLAS
	104314	1	CHECK VALVE, 5 PSI, VITON (OPT)
	104319	1	CHECK VALVE, 5 PSI, KALREZ (OPT)
25	101088	1	3/8 x 1/4 FNPT TUBE ADAPT.

△	NEW CHECK VALVES	05/03/23	SS	JH
△	ADDED STD DUST CAP	09/30/16	SS	X
△	ADDED KALREZ OPT	09/20/16	SS	X
△	INITIAL RELEASE	06/05/09	SS	X
NO.	REVISION	DATE	BY	APPVD

DRAWING	LEVELS	VIEW	
INJECTOR	40, 90-93, 95-97, 129	1	
	139-141, 143, 208, 239, 253		
FROM SER#	DATE	TO SER#	DATE
X	X	X	X

TOLERANCES	
ALL DIMENSIONS ARE IN INCHES UNLESS OTHERWISE SPECIFIED.	
*TOL. DECIMALS:	*TOL. ANGLES:
.XXX= +/- .005	+/- .5 DEGREES
.XX= +/- .015	
.X= +/- .030	
FRAC. = +/- 1/16	
*CONCENTRICITY:	
.005 T.I.R.	
*REMOVE BLURBS AND BREAK EDGES .005 MIN.	

HAMDONTS TECHNICAL SERVICES, INC.			
SCALE	NTS	APPROVED PART NUMBER	DRAWN BY SS
DATE	06/05/09		REVISED 05/03/23
DRAWING TITLE			
HAMDONTS 1P10 PUMP			
HEAVY DUTY			DRAWING NUMBER 6150-1



Model 1000-1P Injection System Manual

26	882352	2	LOCK WASHER, 5/16" SS (OPTION)
27	883863	2	SCREW, 5/16-18 x 1 1/4" SS (OPTION)
27A	882351	2	SCREW, 5/16-18 x 2 3/4" SS (OPTION)
28	102480	2	O-RING (OPTION)
29	102747A	1	DUST CAP STD. (OPTION)
31	102746	1	DUST PLUG (OPTION)
32	102300-02	1	BACK-UP RING

ITEM	PART NO.	QTY.	DESCRIPTION
1	102757	1	POWER FRAME, HD ALUM.
2	881045	1	SETSCREW, 1/4-20 x 1" (PART OF #3)
3	102299	1	PLUNGER, P15
4	883342	1	SEAL, LIP
5	102302	1	SLEEVE, TEFLON
6	102301-01	1	SEAL ADAPTER
7	103521	1	O-RING, AFLAS
	103511	1	O-RING, VITON (OPT)
	103522	1	O-RING, KALREZ (OPT)
8	102300-01	1	FLUID END, P15
9	882949	8	LOCK WASHER, #10 INTERNAL
10	883047	4	SCREW, #10-32 x 3"
11	104311	2	CHECK VALVE, 1 PSI, AFLAS
	104310	2	CHECK VALVE, 1 PSI, VITON (OPT)
	104318	2	CHECK VALVE, 1 PSI, KALREZ (OPT)
12	101007	2	RETURN SPRING
13	282042	1	CROSSHEAD, HD
14	101152	2	SLIDE BEARING
15	101005	1	STROKE ADJUSTMENT CAM
16	102758	1	PUMP FRAME COVER, HD ALUM
17	101670	1	STROKE INDICATOR
18	101004-HF	1	LOCK SCREW
19	881126	4	SCREW, #10-32 x 1/2"
19A	881126	4	SCREW, #10-32 x 1/2" (OPT)
20	101001	1	STROKE ADJUSTMENT KNOB
21	103563	1	SPRING, COMPRESSION
22	881301	4	SCREW, #10-32 x 1"
22A	881780	4	SCREW, #10-32 x 2 3/4" (OPT)
23	101038	4	LOCK WASHER, #10 HI COL
24	104315	1	CHECK VALVE, 5 PSI, AFLAS
	104314	1	CHECK VALVE, 5 PSI, VITON (OPT)
	104319	1	CHECK VALVE, 5 PSI, KALREZ (OPT)
25	101088	1	3/8 x 1/4 FNPT TUBE ADAPT

BOLT TORQUE SPECIFICATIONS	
Ref. No.	Assembly Torque
2	5 ft-lbs (7.5 N-m)
10	3.5 ft-lbs (4.7 N-m)
18	3.5 ft-lbs (4.7 N-m)
19	3.5 ft-lbs (4.7 N-m)
21	1.3 ft-lbs (1.7 N-m)
22	3.5 ft-lbs (4.7 N-m)
22A	3.5 ft-lbs (4.7 N-m)

NEW LOCK SCREW	05/16/25	SS	JH
NEW CHECK VALVES	04/19/23	SS	JH
ADDED STD DUST CAP	09/30/16	SS	JH
ADDED KALREZ OPT	09/20/16	SS	JH
ADDED SPRING	03/15/16	SS	JH
ADD BACK-UP RING	02/01/10	SS	X
WAS 325 O-RING	06/03/09	SS	X
NO. REVISION	DATE	BY	APPVD

DRAWING	LEVELS	VIEW	
INJECTOR	40, 136, 139-141, 143	1	
	176-179, 181, 201, 208, 224, 239		
FROM SER#	DATE	TO SER#	DATE
X	X	X	X

TOLERANCES	
ALL DIMENSIONS ARE IN INCHES UNLESS OTHERWISE SPECIFIED.	
*TOL. DECIMALS:	*TOL. ANGLES:
.XXX= +/- .005	+/- .5 DEGREES
.XX= +/- .015	
.X= +/- .030	
FRAC.= +/- 1/16	
	*CONCENTRICITY:
	.005 T. I. R.
	*REMOVE BURRS AND BREAK EDGES .005 MIN.

THIS PRINT IS CONFIDENTIAL AND IS THE PROPERTY OF HAMMONDS TECHNICAL SERVICES	
THIS PRINT SHALL NOT BE LOANED, COPIED OR REPRODUCED IN WHOLE OR IN PART. NO PART SHALL BE REVEALED IN ANY MANNER TO ANYONE UNLESS WRITTEN PERMISSION IS OBTAINED FROM HAMMONDS TECHNICAL SERVICES.	

HAMMONDS TECHNICAL SERVICES, INC.			
SCALE	NTS	APPROVED PART NUMBER	DRAWN BY SS
DATE	10/27/08		REVISED 05/16/25
DRAWING TITLE			
HAMMONDS 1P15 PUMP			
HEAVY DUTY			DRAWING NUMBER 5994



Model 1000-1P Injection System Manual

PARTS INCLUDED IN KITS ARE IDENTIFIED WITH → NOTE: OPTIONAL O-RING ELASTOMERS ARE AVAILABLE.

INSTALL CAP HAND-TIGHT... DO NOT OVER-TIGHTEN!

TO PUMP

ON/OFF VALVE

FROM ADDITIVE SOURCE

FLUSH VALVE ...SEE DETAIL

NOTE: ADAPTER FITTINGS VARY PER APPLICATION... SEE YOUR ASSEMBLY ILLUSTRATION

IMPORTANT!
NOTE DIRECTION OF FLOW

VALVE DETAIL SCALE: 2X

ITEM	PART NO.	QTY.	DESCRIPTION
→ 1	152075	1	BODY, STD.SIGHT FLOW
→ 2	152002	1	FILTER ELEMENT
→ 3	151018	1	GAUGE GLASS
→ 4	151002	2	GASKET, BUNA (OPT)
	151007	2	GASKET, VITON (OPT)
	151027	2	GASKET, NEOPR (OPT)
→ 5	151026	2	GASKET, KALREZ (OPT)
→ 6	151020	2	GASKET, AFLAS (OPT)
→ 7	151036	2	GASKET, TEF ENCAPSULATED
→ 8	151005	1	PLUG
→ 9	152069	1	CAP ASSEMBLY
→ 10	101070	1	NIPPLE, 1/4" x 1-1/2"
→ 11	101059-04	1	VENT TUBE, 1/4"
→ 12	881139-05	1	VENT TUBE, 3/8"...(OPT)
→ 13	101230	1	ON/OFF VALVE, 1/4"
→ 14	101095	1	TUBE ADAPTER, 1/4"
→ 15	101068	1	TUBE ADAPTER, 3/8"...(OPT)
→ 16	152070	1	GUARD, GAUGE GLASS
→ 17	104315	1	1/4" CH VLV, 5 PSI, AFLAS (OPT)
→ 18	104314	1	1/4" CH VLV, 5 PSI, VITON (OPT)
→ 19	104319	1	1/4" CH VLV, 5 PSI, KALREZ (OPT)
→ 20	881422	2	5/16-18 x 1" HX HD BOLT, SS
→ 21	881417	2	5/16" LOCK WASHER, SS
→ 22	104042	2	5/16" FLAT WASHER, SS

→ 1	OPTIONAL VENTS	06/13/23	SS
→ 2	NEW CHECK VALVES	06/09/23	SS
→ 3	REMV'D #102735 VLV	07/13/21	SS
→ 4	ADD TEF ENCAPSUL	07/13/21	SS
→ 5	ADDED AFLAS OPT	09/04/20	SS
→ 6	ADDED KIT INFO	04/30/18	SS
→ 7	ADDED FLUSH VALVE	02/15/17	SS
→ 8	ADDED KALREZ OPT	01/18/17	SS
→ 9	ADDED NEOPR. OPT	09/27/11	SS
→ 10	ADDED OPT VALVE	03/04/10	SS
→ 11	WAS #152035	05/13/99	SS
→ 12	WAS #152018	05/13/99	SS
→ 13	WAS 1/8" NIPPLE	01/23/97	SS
NO.	REVISION	DATE	BY

DRAWING 2489		LEVELS 5,6		VIEW I	
FROM SER#	DATE	TO SER#	DATE		
X	X	X	X		

TOLERANCES
ALL DIMENSIONS ARE IN INCHES UNLESS OTHERWISE SPECIFIED.

*TOL. DECIMALS: .XXX= +/- .005 .XX= +/- .015 .X= +/- .030	*TOL. ANGLES: +/- .5 DEGREES *CONCENTRICITY: .005 T.I.R.
--	---

REMOVE BURRS AND BREAK EDGES .005 MIN.

THIS PRINT IS CONFIDENTIAL AND IS THE PROPERTY OF HAMMONDS TECHNICAL SERVICES

THIS PRINT SHALL NOT BE USED, COPIED OR REPRODUCED IN WHOLE OR IN PART AND SHALL BE RETURNED TO THE ISSUING OFFICE IN ANY MANNER TO ANYONE UNLESS WRITTEN PERMISSION IS OBTAINED FROM HAMMONDS TECHNICAL SERVICES.

HAMMONDS TECHNICAL SERVICES, INC.

SCALE: NTS	APPROVED BY: SCG206	DRAWN BY: SS
DATE: 07/20/93		REVISED: 06/13/23

DRAWING TITLE: **SUCTION CALIBRATION GAUGE**

MAT'L: _____ DRAWING NUMBER: **3067**



Model 1000-1P Injection System Manual

**INSTALL CAP HAND-TIGHT...
DO NOT OVER-TIGHTEN!**

ITEM	PART NO.	QTY.	DESCRIPTION
2	1	1	152075 BODY, STD.SIGHT FLOW
2	1	1	152002 FILTER ELEMENT
3	1	1	151015 GAUGE GLASS
* 4	2	2	151002 GASKET, BUNA
* 4	2	2	151007 GASKET, VITON (OPT)
3	2	2	151023 GASKET, EPDM (OPT)
6	2	2	151026 GASKET, KALREZ (OPT)
7	2	2	151020 GASKET, AFLAS (OPT)
8	2	2	151036 GASKET, TEF ENCAPSUL (OPT)
10	2	2	151000-MZ GASKET, MARKEZ (OPT)
5			
5	1	1	151005 PLUG
6	1	1	152079 CAP ASSEMBLY
1	1	1	101070 NIPPLE, 1/4" x 1 1/2"
11	1	1	101059-04 VENT TUBE, 1/4"
	1	1	881139-05 VENT TUBE, 3/8"...(OPT)
9	1	1	101230 ON/OFF VALVE, STD. 1/4"
11	1	1	101095 TUBE ADAPTER, 1/4"
	1	1	101068 TUBE ADAPTER, 3/8"...(OPT)
4	1	1	881950 GUARD, GAUGE GLASS
4	1	1	882562 STRAP, VINYL COATED (OPT)
4	1	1	881292 1/4-20 x 3/4" SOC HD CAP (OPT)
4	1	1	103028 1/4" FLAT WASHER SS (OPT)
4	1	1	881881 1/4-20 LOCK NUT SS (OPT)
16	2	2	881422 5/16-18 x 1" HX HD BOLT, SS
17	2	2	881417 5/16" LOCK WASHER, SS
18	2	2	104042 5/16" FLAT WASHER, SS

OPTIONAL VENTS	06/13/23	SS
ADDED MARKEZ OPT	07/20/22	SS
REMV'D 102735 VALV	07/13/21	SS
ADD TEF ENCAPSUL	07/13/21	SS
ADDED AFLAS OPT	09/04/20	SS
ADDED KALREZ OPT	01/18/17	SS
WAS #101071	02/14/14	SS
ADDED PARTS	06/2008	SS
WAS #152035	05/13/99	SS
WAS #152018	05/13/99	SS
WAS 1/8" NIPPLE	01/23/97	SS
ND.	REVISION	DATE BY

TOLERANCES	ALL DIMENSIONS ARE IN INCHES UNLESS OTHERWISE SPECIFIED.		
*TOL. DECIMALS:	.XXX± +/- .005	*TOL. ANGLES:	+/- .5 DEGREES
	.XX± +/- .015	*CONCENTRICITY:	.005 T.I.R.
	.X± +/- .030		
FINISH	125	*REMOVE BURRS AND BREAK EDGES	.005 MIN.

THIS PRINT IS CONFIDENTIAL AND IS THE PROPERTY OF HAMMONDS TECHNICAL SERVICES		HAMMONDS TECHNICAL SERVICES, INC.	
SCALE: NTS	APPROVED BY: SCG212	DRAWN BY: SS	
DATE: 07/20/93		REVISED: 06/13/23	
DRAWING TITLE: SUCTION CALIBRATION GAUGE			
MAT'L:		DRAWING NUMBER: 2489	



Model 1000-1P Injection System Manual

⚠ PARTS INCLUDED IN KITS ARE IDENTIFIED WITH → NOTE: OPTIONAL O-RING ELASTOMERS ARE AVAILABLE.

INSTALL CAP HAND-TIGHT... DO NOT OVER-TIGHTEN!

⚠ IMPORTANT! NOTE DIRECTION OF FLOW

VALVE DETAIL SCALE: 2X

ON/OFF VALVE (1/2" OR 3/4")

TO PUMP

FROM ADDITIVE TANK

FLUSH VALVE ...SEE DETAIL

ITEM	PART NO.	QTY.	DESCRIPTION
1	152080	1	BODY, LARGE SIGHT FLOW
2	152025	1	FILTER ELEMENT
3	151014	1	GAUGE GLASS
4	151013	2	GASKET, VITON
	151010	2	GASKET, NEOPRENE, OPT.
	151025	2	GASKET, BUNA-N, OPT.
5	152042	1	CAP
6	101070	1	NIPPLE, 1/4" x 1 1/2"
7	881139-05	1	VENT TUBE, 3/8"
8	101230	1	ON/OFF VALVE, 1/4"
9	101068	1	ELBOW TUBE FITTING
10	881899	1	GUARD, GAUGE GLASS
11	882562	1	STRAP, VINYL COATED (OPT)
12	881292	1	1/4-20 x 3/4" SOC HD CAP (OPT)
13	103028	1	1/4" FLAT WASHER SS (OPT)
14	881881	1	1/4-20 LOCK NUT SS (OPT)
15	151005	1	PIPE PLUG, 1/4"
16	104315	1	1/4" CH VLV, 5 PSI, AFLAS (OPT)
	104314	1	1/4" CH VLV, 5 PSI, VITON (OPT)
17	881422	2	5/16-18 x 1" HX HD BOLT, SS
18	881417	2	5/16" LOCK WASHER, SS
19	104042	2	5/16" FLAT WASHER, SS

⚠	NEW CHECK VALVES	04/05/23	SS	JH
⚠	WAS 102735 VALVE	07/13/21	SS	JH
⚠	ADDED KIT INFO	04/30/18	SS	X
⚠	ADDED FLUSH VALVE	05/23/14	SS	X
⚠	WAS 881139	03/07/14	SS	X
⚠	ADDED PLUG	03/24/10	SS	X
⚠	ADDED PARTS	06/2008	SS	X
NO.	REVISION	DATE	BY	APPROV

DRAWING	LEVELS	VIEW	
2395	1-3	1	
FROM SER#	DATE	TO SER#	DATE
X	X	X	X

TOLERANCES
ALL DIMENSIONS ARE IN INCHES UNLESS OTHERWISE SPECIFIED.

*TOL. DECIMALS:
.XX= +/- .005
.XX= +/- .015
.X= +/- .030
FRAC. = +/- 1/16

*TOL. ANGLES:
+/- .5 DEGREES

*CONCENTRICITY:
.005 T.I.R.

*REMOVE BURRS AND BREAK EDGES .005 MIN.

THIS PRINT IS CONFIDENTIAL AND IS THE PROPERTY OF HAMMONDS TECHNICAL SERVICES

THIS PRINT SHALL NOT BE USED, COPIED OR REPRODUCED IN WHOLE OR IN PART WITHOUT THE CONSENT BE REVEALED IN ANY MANNER TO ANYONE UNLESS WRITTEN PERMISSION IS OBTAINED FROM HAMMONDS TECHNICAL SERVICES.

HAMMONDS TECHNICAL SERVICES, INC.			
SCALE: NTS	APPROVED: PART NUMBER	DRAWN BY: SS	
DATE: 07/20/99	SCG314	REVISED: 04/05/23	
DRAWING TITLE: SUCTION CALIBRATION GAUGE			
MAT' L:			DRAWING NUMBER: 2395



Model 1000-1P Injection System Manual

HAMMONDS SUCTION CALIBRATION GAUGE

CALIBRATION INSTRUCTIONS

- 1) IN ORDER TO CALIBRATE, THE PUMP MUST BE PRIMED AND PURGED OF ALL AIR. THE 3-WAY VALVE MUST BE SET TO INJECT.
- 2) WITH SUPPLY VALVE OPEN, SLOWLY OPEN VENT VALVE. THIS WILL FILL CALIBRATION GAUGE. FILL TO ZERO MARK. DO NOT OVERFILL. ONCE FULL, CLOSE VENT VALVE.
- 3) MAKE NOTE OF ADDITIVE LEVEL IN CALIBRATION GAUGE AND MAIN PRODUCT METER READING. BEGIN CALIBRATION BY FIRST CLOSING THE SUPPLY VALVE AND THEN OPENING THE VENT VALVE. START THE PRODUCT FLOW (SET FOR A SHORT TRIAL RUN).
- 4) AT THE END OF THE RUN, RECORD THE AMOUNT OF ADDITIVE THAT WAS DRAWN FROM THE CALIBRATION GAUGE. RECORD THE AMOUNT OF FUEL PUMPED. CLOSE THE VENT VALVE. OPEN THE SUPPLY VALVE.
- 5) DIVIDE THE AMOUNT OF ADDITIVE USED BY THE VOLUME OF FUEL THAT WAS PUMPED GIVING YOU PPM.
- 6) INCREASE OR DECREASE PERCENTAGE OF STROKE ON DIAPHRAGM PUMP TO OBTAIN DESIRED INJECTION RATIO.

EXAMPLE: (METRIC)
 ADDITIVE INJECTED = 500 ML
 FUEL DELIVERED = 1785 LITERS

$$\frac{500}{1785} = .280$$

$$\frac{.280}{1000} = .000280 \text{ (280 MILLIONTHS)}$$

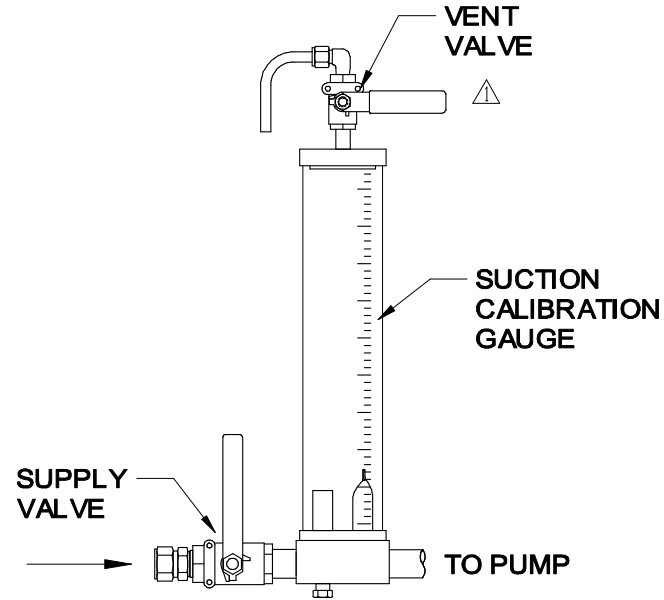
$$\text{OR } 280 \text{ PPM (PARTS PER MILLION)}$$

EXAMPLE: (US)
 ADDITIVE INJECTED = 11.5 oz
 FUEL DELIVERED = 350 GALLONS

$$\frac{11.5}{350} = .0328$$

$$\frac{.0328}{128 \text{ oz/gal}} = .000256 \text{ (256 MILLIONTHS)}$$

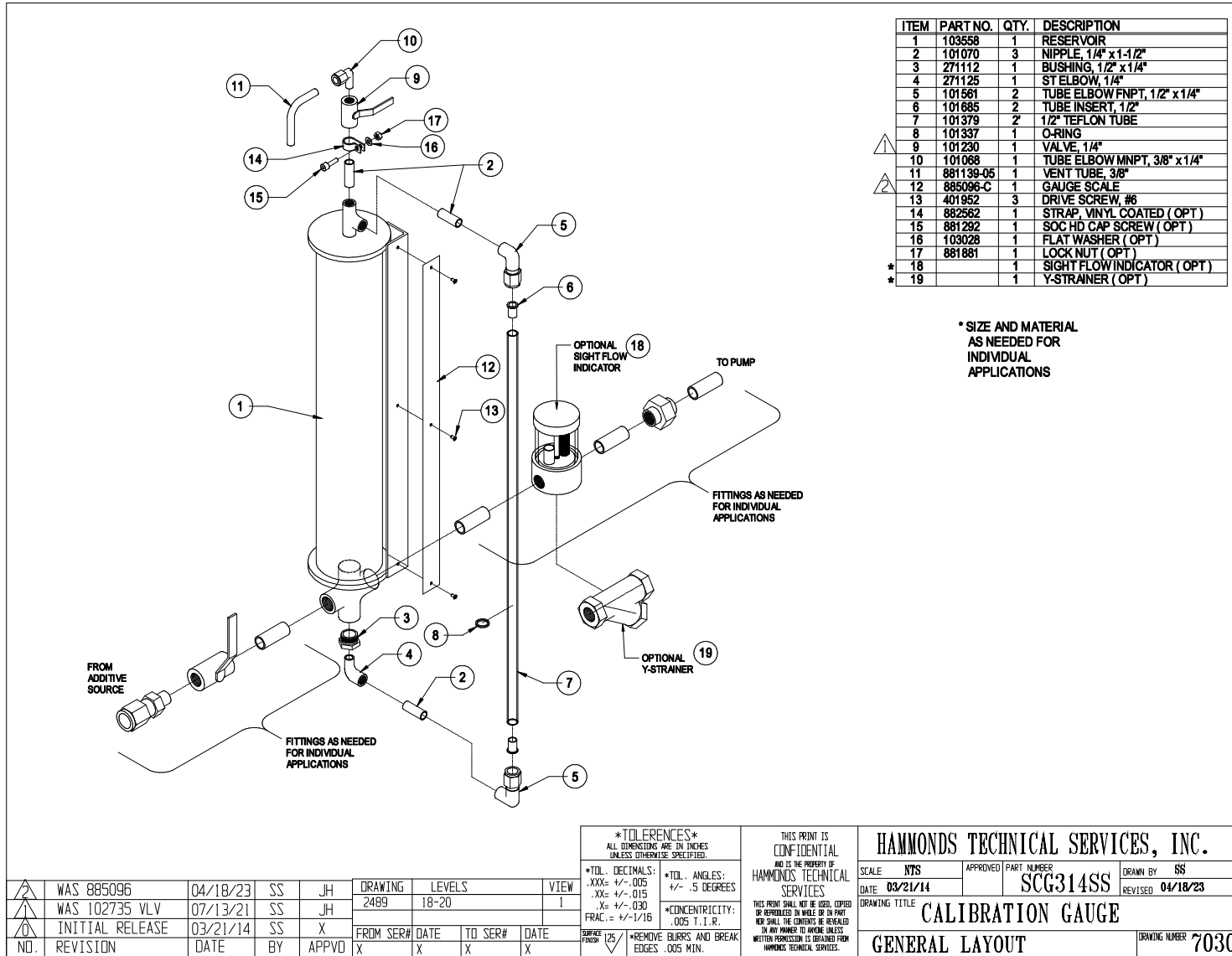
$$\text{OR } 256 \text{ PPM (PARTS PER MILLION)}$$



<table border="1"> <tr> <td>△</td> <td>WAS ECONOMY VALVE</td> <td>07/13/21</td> <td>SS</td> </tr> <tr> <td>△</td> <td>INITIAL RELEASE</td> <td>04/07/93</td> <td>SS</td> </tr> <tr> <td>NO.</td> <td>REVISION</td> <td>DATE</td> <td>BY</td> </tr> </table>				△	WAS ECONOMY VALVE	07/13/21	SS	△	INITIAL RELEASE	04/07/93	SS	NO.	REVISION	DATE	BY	<table border="1"> <tr> <td>DRAWING</td> <td colspan="2">LEVELS</td> <td>VIEW</td> </tr> <tr> <td>1891</td> <td>1,2</td> <td></td> <td>1</td> </tr> <tr> <td>FROM SER#</td> <td>DATE</td> <td>TO SER#</td> <td>DATE</td> </tr> <tr> <td>X</td> <td>X</td> <td>X</td> <td>X</td> </tr> </table>				DRAWING	LEVELS		VIEW	1891	1,2		1	FROM SER#	DATE	TO SER#	DATE	X	X	X	X	<p>*TOLERANCES*</p> <p>ALL DIMENSIONS ARE IN INCHES UNLESS OTHERWISE SPECIFIED.</p> <p>*TOL. DECIMALS: .XXX= +/- .005 .XX= +/- .015 .X= +/- .030</p> <p>*TOL. ANGLES: +/- .5 DEGREES</p> <p>*CONCENTRICITY: .005 T. I. R.</p> <p>*REMOVE BURRS AND BREAK EDGES .005 MIN.</p>		<p>THIS PRINT IS CONFIDENTIAL AND IS THE PROPERTY OF HAMMONDS TECHNICAL SERVICES</p> <p>THIS PRINT SHALL NOT BE USED, COPIED OR REPRODUCED IN WHOLE OR IN PART NOR SHALL THE CONTENTS BE REVEALED IN ANY MANNER TO ANYONE UNLESS WRITTEN PERMISSION IS OBTAINED FROM HAMMONDS TECHNICAL SERVICES.</p>		<p>HAMMONDS TECHNICAL SERVICES, INC.</p> <p>SCALE: NTS APPROVED BY: SS</p> <p>DATE: 04/07/93 REVISED: 07/13/21</p> <p>DRAWING TITLE: SUCTION CALIBRATION GAUGE</p> <p>DRAWING NUMBER: 1891</p>	
△	WAS ECONOMY VALVE	07/13/21	SS																																						
△	INITIAL RELEASE	04/07/93	SS																																						
NO.	REVISION	DATE	BY																																						
DRAWING	LEVELS		VIEW																																						
1891	1,2		1																																						
FROM SER#	DATE	TO SER#	DATE																																						
X	X	X	X																																						



Model 1000-1P Injection System Manual



ITEM	PART NO.	QTY.	DESCRIPTION
1	103558	1	RESERVOIR
2	101070	3	NIPPLE, 1/4" x 1-1/2"
3	271112	1	BUSHING, 1/2" x 1/4"
4	271125	1	ST ELBOW, 1/4"
5	101561	2	TUBE ELBOW FNPT, 1/2" x 1/4"
6	101685	2	TUBE INSERT, 1/2"
7	101379	2	1/2" TEFLON TUBE
8	101337	1	O-RING
9	101230	1	VALVE, 1/4"
10	101068	1	TUBE ELBOW MNPT, 3/8" x 1/4"
11	881139-05	1	VENT TUBE, 3/8"
12	885096-C	1	GAUGE SCALE
13	401952	3	DRIVE SCREW, #6
14	882562	1	STRAP, VINYL COATED (OPT)
15	881292	1	SOC HD CAP SCREW (OPT)
16	103028	1	FLAT WASHER (OPT)
17	881881	1	LOCK NUT (OPT)
* 18		1	SIGHT FLOW INDICATOR (OPT)
* 19		1	Y-STRAINER (OPT)

* SIZE AND MATERIAL
AS NEEDED FOR
INDIVIDUAL
APPLICATIONS

<table border="1"> <tr> <td>△</td> <td>WAS 885096</td> <td>04/18/23</td> <td>SS</td> <td>JH</td> <td>DRAWING</td> <td>LEVELS</td> <td>VIEW</td> </tr> <tr> <td>△</td> <td>WAS 102735 VLV</td> <td>07/13/21</td> <td>SS</td> <td>JH</td> <td>2489</td> <td>18-20</td> <td>I</td> </tr> <tr> <td>△</td> <td>INITIAL RELEASE</td> <td>03/21/14</td> <td>SS</td> <td>X</td> <td>FROM SER#</td> <td>DATE</td> <td>TO SER#</td> </tr> <tr> <td>NO.</td> <td>REVISION</td> <td>DATE</td> <td>BY</td> <td>APPVD</td> <td>X</td> <td>X</td> <td>X</td> </tr> </table>					△	WAS 885096	04/18/23	SS	JH	DRAWING	LEVELS	VIEW	△	WAS 102735 VLV	07/13/21	SS	JH	2489	18-20	I	△	INITIAL RELEASE	03/21/14	SS	X	FROM SER#	DATE	TO SER#	NO.	REVISION	DATE	BY	APPVD	X	X	X	<p>*TOLERANCES* ALL DIMENSIONS ARE IN INCHES UNLESS OTHERWISE SPECIFIED.</p> <p>*TOL. DECIMALS: .XX± +/- .005 .XX± +/- .015 X± +/- .030 FRAC. ± +/- 1/16</p> <p>*TOL. ANGLES: +/- .5 DEGREES</p> <p>*CONCENTRICITY: .005 T. I. R.</p> <p>*REMOVE BURRS AND BREAK EDGES .005 MIN.</p>		<p>THIS PRINT IS CONFIDENTIAL AND IS THE PROPERTY OF HAMMONDS TECHNICAL SERVICES</p> <p>THIS PRINT SHALL NOT BE USED, COPIED OR REPRODUCED IN WHOLE OR IN PART NEE SHALL THE CONTENTS BE REVEALED IN ANY MANNER TO WHOMEVER WITHOUT PERMISSION IS OBTAINED FROM HAMMONDS TECHNICAL SERVICES.</p>		<p>HAMMONDS TECHNICAL SERVICES, INC.</p> <p>SCALE: NTS APPROVED PART NUMBER: SCG314SS DRAWN BY: ISS</p> <p>DATE: 03/21/14 REVISED: 04/18/23</p> <p>DRAWING TITLE: CALIBRATION GAUGE</p> <p>GENERAL LAYOUT DRAWING NUMBER: 7030</p>	
△	WAS 885096	04/18/23	SS	JH	DRAWING	LEVELS	VIEW																																			
△	WAS 102735 VLV	07/13/21	SS	JH	2489	18-20	I																																			
△	INITIAL RELEASE	03/21/14	SS	X	FROM SER#	DATE	TO SER#																																			
NO.	REVISION	DATE	BY	APPVD	X	X	X																																			



Model 1000-1P Injection System Manual

HAMMONDS SUCTION CALIBRATION GAUGE

CALIBRATION INSTRUCTIONS

- 1) IN ORDER TO CALIBRATE, THE PUMP MUST BE PRIMED AND PURGED OF ALL AIR. THE 3-WAY VALVE MUST BE SET TO INJECT.
- 2) WITH SUPPLY VALVE OPEN, SLOWLY OPEN VENT VALVE. THIS WILL FILL CALIBRATION GAUGE. FILL TO ZERO MARK. DO NOT OVERFILL. ONCE FULL, CLOSE VENT VALVE.
- 3) MAKE NOTE OF ADDITIVE LEVEL IN CALIBRATION GAUGE AND MAIN PRODUCT METER READING. BEGIN CALIBRATION BY FIRST CLOSING THE SUPPLY VALVE AND THEN OPENING THE VENT VALVE. START THE PRODUCT FLOW (SET FOR A SHORT TRIAL RUN).
- 4) AT THE END OF THE RUN, RECORD THE AMOUNT OF ADDITIVE THAT WAS DRAWN FROM THE CALIBRATION GAUGE. RECORD THE AMOUNT OF FUEL PUMPED. CLOSE THE VENT VALVE. OPEN THE SUPPLY VALVE.
- 5) DIVIDE THE AMOUNT OF ADDITIVE USED BY THE VOLUME OF FUEL THAT WAS PUMPED GIVING YOU PPM.
- 6) INCREASE OR DECREASE PUMP INJECTION RATIO AS NEEDED.

EXAMPLE: (METRIC)
 ADDITIVE INJECTED = 500 ML
 FUEL DELIVERED = 1785 LITERS

$$\frac{500}{1785} = .280$$

$$\frac{.280}{1000} = .000280 \text{ (280 MILLIONTHS)}$$

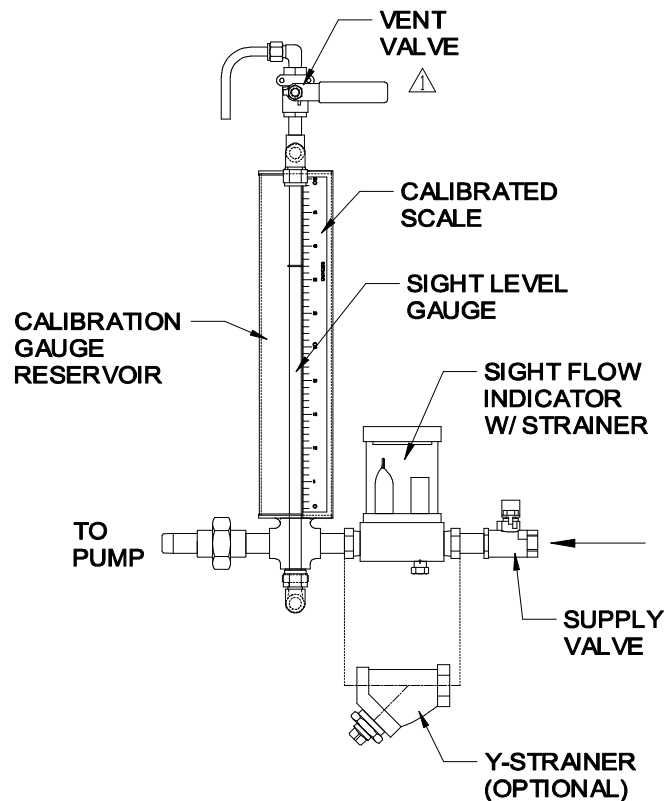
$$\text{OR } 280 \text{ PPM (PARTS PER MILLION)}$$

EXAMPLE: (US)
 ADDITIVE INJECTED = 11.5 oz
 FUEL DELIVERED = 350 GALLONS

$$\frac{11.5}{350} = .0328$$

$$\frac{.0328}{128 \text{ oz/gal}} = .000256 \text{ (256 MILLIONTHS)}$$

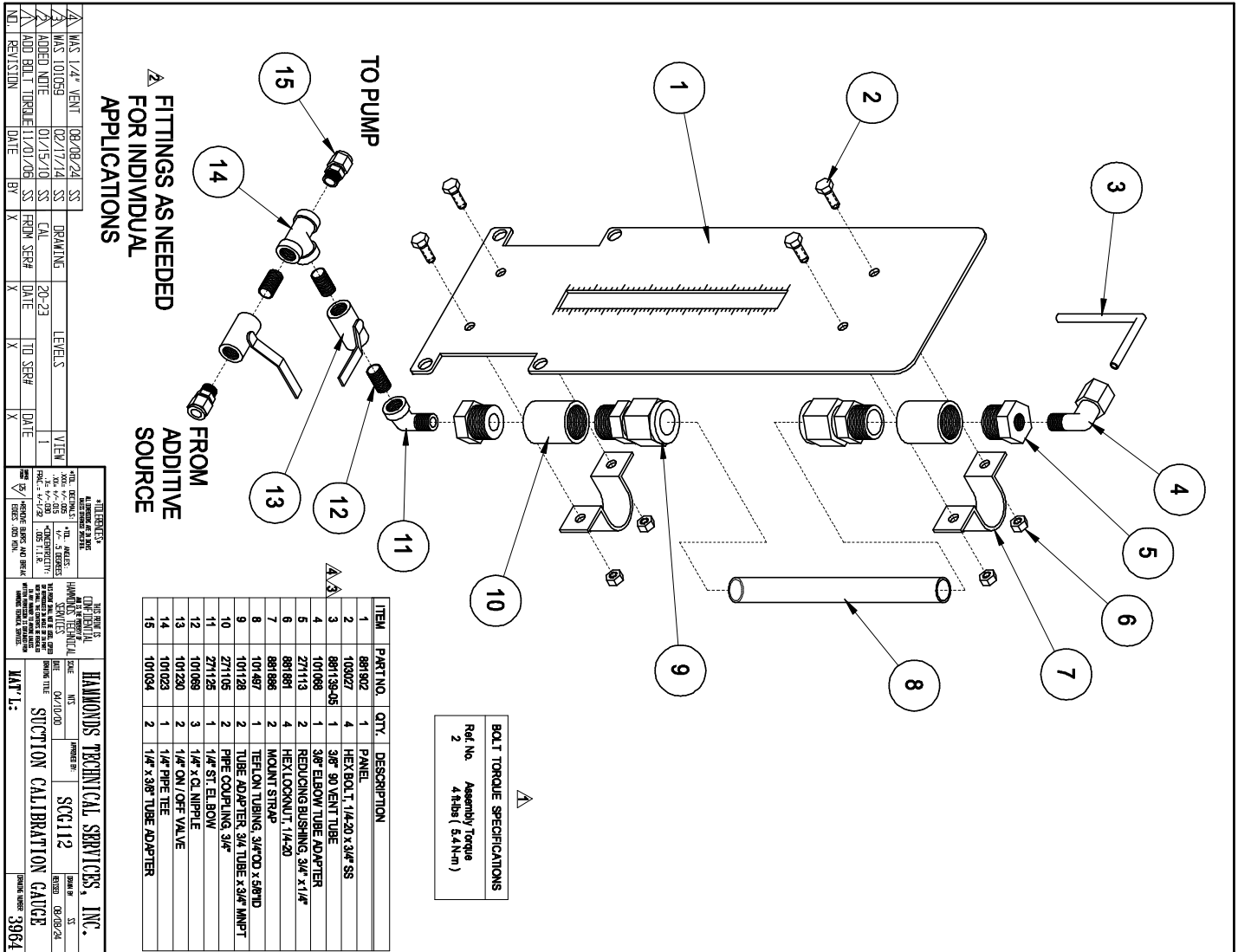
$$\text{OR } 256 \text{ PPM (PARTS PER MILLION)}$$



<table border="1"> <tr> <td>△</td> <td>WAS ECONOMY VALVE</td> <td>07/13/21</td> <td>SS</td> <td>JH</td> </tr> <tr> <td>△</td> <td>INITIAL RELEASE</td> <td>02/27/13</td> <td>SS</td> <td>X</td> </tr> <tr> <td>NO.</td> <td>REVISION</td> <td>DATE</td> <td>BY</td> <td>APPVD</td> </tr> </table>				△	WAS ECONOMY VALVE	07/13/21	SS	JH	△	INITIAL RELEASE	02/27/13	SS	X	NO.	REVISION	DATE	BY	APPVD	<table border="1"> <tr> <td>DRAWING</td> <td>LEVELS</td> <td>VIEW</td> </tr> <tr> <td>1891</td> <td>10,11</td> <td>1</td> </tr> <tr> <td>FROM SER#</td> <td>DATE</td> <td>TO SER#</td> <td>DATE</td> </tr> <tr> <td>X</td> <td>X</td> <td>X</td> <td>X</td> </tr> </table>				DRAWING	LEVELS	VIEW	1891	10,11	1	FROM SER#	DATE	TO SER#	DATE	X	X	X	X	<p>*TOLERANCES* ALL DIMENSIONS ARE IN INCHES UNLESS OTHERWISE SPECIFIED.</p> <table border="1"> <tr> <td>*TOL. DECIMALS:</td> <td>*TOL. ANGLES:</td> </tr> <tr> <td>.XXX± +/- .005</td> <td>+/- .5 DEGREES</td> </tr> <tr> <td>.XX± +/- .015</td> <td></td> </tr> <tr> <td>.X± +/- .030</td> <td>*CONCENTRICITY:</td> </tr> <tr> <td>FRAC. = 1/-1/16</td> <td>.005 T. I. R.</td> </tr> </table> <p>REMOVE BURRS AND BREAK EDGES .005 MIN.</p>				*TOL. DECIMALS:	*TOL. ANGLES:	.XXX± +/- .005	+/- .5 DEGREES	.XX± +/- .015		.X± +/- .030	*CONCENTRICITY:	FRAC. = 1/-1/16	.005 T. I. R.	<p>THIS PRINT IS CONFIDENTIAL AND IS THE PROPERTY OF HAMMONDS TECHNICAL SERVICES.</p> <p>THIS PRINT SHALL NOT BE USED, COPIED OR REPRODUCED IN WHOLE OR IN PART NOR SHALL THE CONTENTS BE REVEALED IN ANY MANNER TO ANYONE UNLESS WRITTEN PERMISSION IS OBTAINED FROM HAMMONDS TECHNICAL SERVICES.</p>				<p>HAMMONDS TECHNICAL SERVICES, INC.</p> <table border="1"> <tr> <td>SCALE</td> <td>APPROVED PART NUMBER</td> <td>DRAWN BY</td> </tr> <tr> <td>NTS</td> <td></td> <td>SS</td> </tr> <tr> <td>DATE</td> <td></td> <td>REVISED</td> </tr> <tr> <td>02/27/13</td> <td></td> <td>07/13/21</td> </tr> </table> <p>DRAWING TITLE SCG314SS CALIBRATION GAUGE</p> <p>OPERATION</p> <p>DRAWING NUMBER 6815</p>				SCALE	APPROVED PART NUMBER	DRAWN BY	NTS		SS	DATE		REVISED	02/27/13		07/13/21
△	WAS ECONOMY VALVE	07/13/21	SS	JH																																																																		
△	INITIAL RELEASE	02/27/13	SS	X																																																																		
NO.	REVISION	DATE	BY	APPVD																																																																		
DRAWING	LEVELS	VIEW																																																																				
1891	10,11	1																																																																				
FROM SER#	DATE	TO SER#	DATE																																																																			
X	X	X	X																																																																			
*TOL. DECIMALS:	*TOL. ANGLES:																																																																					
.XXX± +/- .005	+/- .5 DEGREES																																																																					
.XX± +/- .015																																																																						
.X± +/- .030	*CONCENTRICITY:																																																																					
FRAC. = 1/-1/16	.005 T. I. R.																																																																					
SCALE	APPROVED PART NUMBER	DRAWN BY																																																																				
NTS		SS																																																																				
DATE		REVISED																																																																				
02/27/13		07/13/21																																																																				



Model 1000-1P Injection System Manual



NO.	REVISION	DATE	BY	DATE	VIEW	LEVELS	TO SER#	DATE
▲	MAS 1/4" VENT	08/08/24	SS					
▲	MAS 101059	02/17/24	SS	DRWING	20-23			
▲	ADDED NOTE	01/15/20	SS	CAL				
▲	ADD BOLT TORQUE	11/01/08	SS	FROM SER#				

DESIGNER	CHECKED	DATE	APP'D	DATE
SS	SS	02/10/20	SS	08/08/24

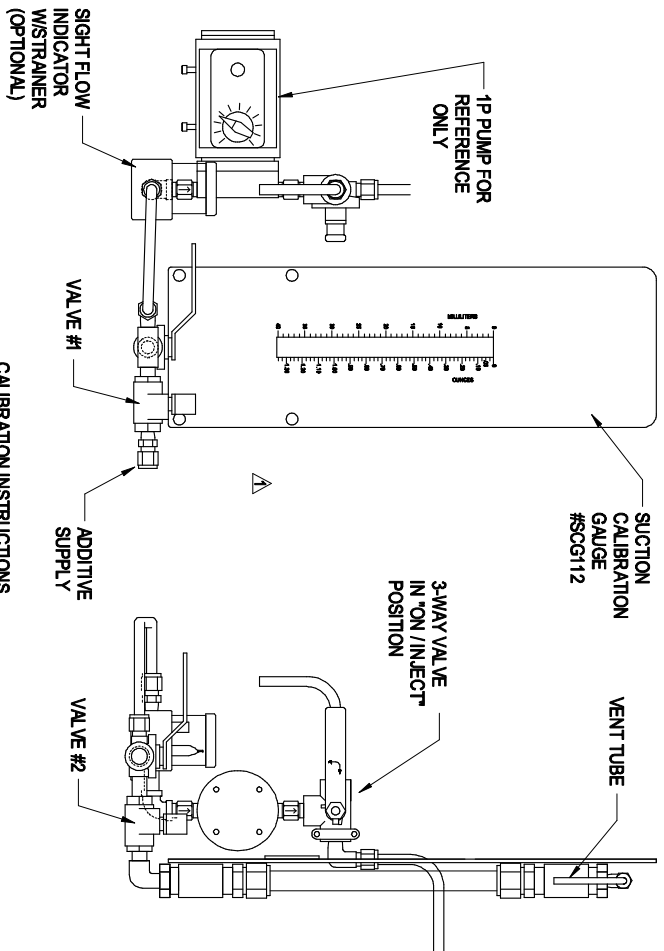
ITEM	DESCRIPTION	QTY.	UNIT
1	1/4" VENT	1	PC
2	HEX BOLT, 1/4-20 X 3/4" SS	4	PC
3	3/8" 90 VENT TUBE	1	PC
4	3/8" ELBOW/TUBE ADAPTER	1	PC
5	REDUCING BUSHING, 3/4" X 1/4"	2	PC
6	HEX LOCKWASH, 1/4-20	4	PC
7	MOUNT STRAP	2	PC
8	TEFLON TUBING, 3/4" O.D. X 5/8" I.D.	1	PC
9	PIPE ADAPTER, 3/4" TUBE X 3/4" WMPT	2	PC
10	PIPE COUPLING, 3/4"	1	PC
11	1/4" ST. EL. BOW	3	PC
12	1/4" X 1/4" NIPPLE	3	PC
13	1/4" ON/OFF VALVE	2	PC
14	1/4" PIPE TEE	1	PC
15	1/4" X 3/8" TUBE ADAPTER	2	PC

DATE	BY	DESCRIPTION
02/10/20	SS	SCG112

3964



Model 1000-1P Injection System Manual



CALIBRATION INSTRUCTIONS

- 1) IN ORDER TO CALIBRATE, THE MAIN PRODUCT SHOULD BE FLOWING.
- 2) WITH 3-WAY VALVE AND VALVE #1 IN NORMAL OPERATION "ON" AND SYSTEM OPERATING, TURN VALVE #2 ON. THIS WILL FILL CALIBRATION TUBE. FILL TO ZERO MARK. DO NOT OVERFILL. ONCE FULL, TURN VALVE #2 OFF.
- 3) MAKE NOTE OF ADDITIVE LEVEL IN CALIBRATION TUBE AND MAIN PRODUCT METER READING. BEGIN CALIBRATION BY FIRST TURNING VALVE #1 "OFF" AND VALVE #2 "ON".
- 4) ONCE CALIBRATION TUBE IS NEAR THE BOTTOM, STOP TEST BY FIRST TURNING VALVE #2 "OFF" AND VALVE #1 "ON". AT THE SAME TIME MAKING NOTE OF THE MAIN PRODUCT METER READING.
- 5) COMPARE TOTAL AMOUNT OF ADDITIVE INJECTED FROM CALIBRATION TUBE TO AMOUNT OF FUEL DELIVERED DURING DURATION OF TEST.
- 6) INCREASE OR DECREASE PERCENTAGE OF STROKE ON DIAPHRAGM PUMP. REPEAT TEST UNTIL DESIRED INJECTION RATIO IS ACHIEVED.

EXAMPLE:
 ADDITIVE INJECTED = 7.0 ML
 FUEL DELIVERED = 350 LITERS

7.0 = 020
 350
 .020 = .000020 (20 MILLIONTHS)
 1000

OR 20 PPM (PARTS PER MILLION)

DRAWING		LEVELS		VIEW	
CAL	FROM SER#	DATE	TO SER#	DATE	
X	X	X	X	X	
DRAWING		LEVELS		VIEW	
CAL	FROM SER#	DATE	TO SER#	DATE	
X	X	X	X	X	

*DIMENSIONS UNLESS OTHERWISE SPECIFIED ALL DIMENSIONS IN INCHES DIMENSIONS IN PARENTHESIS ARE IN MILLIMETERS		*DIMENSIONS UNLESS OTHERWISE SPECIFIED ALL DIMENSIONS IN MILLIMETERS DIMENSIONS IN PARENTHESIS ARE IN INCHES	
1/8" = 3.175 1/4" = 6.35 3/8" = 9.525 1/2" = 12.7 5/8" = 15.875 3/4" = 19.05 7/8" = 22.225 1" = 25.4		1" = 25.4 1/2" = 12.7 1/4" = 6.35 3/8" = 9.525 5/8" = 15.875 3/4" = 19.05 7/8" = 22.225 1" = 25.4	

ORIGINAL TITLE DATE SCALE DRAWN BY CHECKED BY APPROVED BY		HAMMONDS TECHNICAL SERVICES, INC. DATE SCALE DRAWN BY CHECKED BY APPROVED BY	
ORIGINAL TITLE DATE SCALE DRAWN BY CHECKED BY APPROVED BY		ORIGINAL TITLE DATE SCALE DRAWN BY CHECKED BY APPROVED BY	

ORIGINAL TITLE DATE SCALE DRAWN BY CHECKED BY APPROVED BY	ORIGINAL TITLE DATE SCALE DRAWN BY CHECKED BY APPROVED BY
ORIGINAL TITLE DATE SCALE DRAWN BY CHECKED BY APPROVED BY	ORIGINAL TITLE DATE SCALE DRAWN BY CHECKED BY APPROVED BY