

**OPERATING INSTRUCTIONS
AND
MAINTENANCE MANUAL
FOR**

HAMMONDS MODEL 2000-H25X-1P10-1P10

FLUID POWERED ADDITIVE INJECTOR SYSTEM

Manufactured by:



HAMMONDS TECHNICAL SERVICES, INC.

910 Rankin Rd.
Houston, Texas 77073

Phone: 281-999-2900

Fax: 281-847-1857

www.hammondscos.com

October 2011

A.L. THOMPSON

78587

TABLE OF CONTENTS

3	Special Notice to Users
3	Installation and Preparation for Startup
4	Installation Considerations of Bare Units
5-8	Locating the System
8-10	Additive Supply System
11-13	Additive Tank Installation
13-14	Preparation for Calibration and Startup
14-16	Calibration and Startup
16	Additive Chart
17	Trouble Shooting the System
18	Preventive Maintenance
19	Preventive Maintenance Schedule
19-20	Desiccant Dryer Instructions
	Attachments:
	Drawings and Parts List
	System Layout
	Hydraulic Schematic
	Drive Unit Parts
	Injector Pump Parts
	Sight Flow Indicator Parts
	Calibration Device Instructions
	Variable Speed Drive (separate file)
	H25 Pump (separate file)



SPECIAL NOTICE TO USERS PLEASE READ CAREFULLY BEFORE OPERATING EQUIPMENT

The performing of these checks by the operator eliminates the possibility of product not having the proper additive ratio as required. Therefore, since the manufacturer cannot be present during each transfer operation, the responsibility for checking the performance of the system is that of the operator. Should there be any questions whatsoever, the operator should consult the distributor from whom the unit was purchased.

Do Not Take Chances....Do Not Guess....Be Absolutely Certain That The System Is Installed And Working As It Should.

The user/ operator carries the final responsibility to make certain the system is operating properly.

INSTALLATION AND PREPARATION FOR STARTUP

Consult your Engineering Department for their specific instructions. Make certain all personnel involved with this system are thoroughly familiar with safe operating practices.

If your system has been purchased "bare," consult your equipment distributor for help in selecting hoses, fittings and other related accessories. Selection of materials, compatibility, location of unit within the system, effect of the unit on the system and injection point of the additive are also factors that should be discussed by factory authorized personnel.

If no factory authorized distributor is available, consult the factory directly for assistance.

This additive injector system is designed to give consistent dependable performance when operated and maintained according to manufacturer's recommendations. However, being a mechanical device, it is subject to failure from improper installation, wear, human error and operating environments beyond the control of the system. Because of this fact, it is the responsibility of the operator to make certain that:

- A. The system is installed properly.
- B. The system is being operated properly.
- C. The system is actually running during product transfer.
- D. The system is checked after the transfer operation to make certain the proper amount of additive was injected during the operation.

In most cases, the Hammonds fluid powered injector is shipped complete and ready to operate. The system should include appropriate fittings to suit your specific application. Flow direction is marked on additive pumps and check valves. Any and all flow restricting devices such as on/off ball valves, remote panels, sight flow indicators, suction strainers or electrically controlled solenoid valves must be installed on the suction side of additive pumps.

CAUTION

Do Not Attempt To Use This Device Without Understanding And Following Proper Safety Precautions Regarding System Grounding, Fire Safety, And Special Handling For Potentially Dangerous Additives.

INSTALLATION CONSIDERATIONS OF BARE UNITS

WHERE TO PHYSICALLY MOUNT THE

INJECTOR

The Model 2000 can be mounted in most any convenient location. Standard product connections are 150# RF 12" inch flanges. The performance of the 2000 is not affected by changes in pipe direction or other components such as valves, strainers or meters directly before or after the injector. However, care should be taken in placing the unit too close to other items such as turbine meters that may be sensitive. Consult other manufacturers for advise in placing the injector adjacent to their specific equipment.

MOUNTING ATTITUDE

The Hammonds injector can be mounted in a horizontal, vertical, or even a slanted pipe with one condition. The main motor shaft that powers the injector **MUST** always be horizontal. If this is not done, premature wear will occur in the unit, causing flow tolerances in the unit to become excessive. This will lead to a loss in the system's ability to operate correctly at low flow rates. Study The Installation Drawing At The End Of The Manual Carefully. Consult Your Local Distributor Or The Factory If You Have Any Questions **Whatsoever.**

INSTALLATION RELATIVE TO METERS

Hammonds injectors can be installed at any point in the system. If the unit is mounted downstream of the meter, the injection point may be moved upstream of the meter in order to measure the amount of additive being measured.

Hammonds additive injector systems may be installed in a wide variety of applications, systems, and operating conditions. This Manual Makes The Assumption That The Purchaser Has Consulted With A Factory Authorized Distributor Or The Factory And Has Approval For The Application And Installation. If this is not the case, listed below are a few considerations that should be reviewed before installing a unit in an existing system.

POINT OF INJECTION OF ADDITIVE

Some additives may adversely affect other components in the product handling systems, for example seals in meters, valve seals, aluminum and filter elements to name a few. The Hammonds injector systems do an excellent job of mixing the additive in the product, and does not inject in large slugs. Because of this superior mixing and very small concentration of additive in any one point, many customers feel that this is not a problem. **SOME DO**, and therefore, should use their own judgment as to the effect of these additives. Hammonds Technical Services, Inc. Can Only Advise You Of The Possible Hazards. It is up to the owner to decide his preference as to location of the additive injection point. It can be placed at any point in the system. The 2000 comes with the injection point directly ahead of the fluid motor for good blending. It can be located elsewhere very easily. If the injection point is moved from the body of the injector, the 1/4" tapped hole must be plugged, the inlet check valve moved to the new location, and the injection tubing rerouted to the new location. An injection check valve must always be used regardless of location.



SPACE REQUIREMENTS

The system is designed with easy service in mind. The entire rotor and pump assembly can be removed, where possible, from the housing without disturbing the system piping. Ample room should be reserved in the installation for this removal. The injector pump is removed from the side in which it is mounted. Should the fluid motor need service, it is typically done from the backside. A clearance of 20" is required on the backside to remove the rotor and rear side plate. An equal amount is necessary to remove the rotor and shaft from the front or injector side. Also, allow room for the operator to have visual access to the controls on the pump for calibration purposes.

ON/OFF OPERATION

Two methods may be used to stop or start injection. For standard diaphragm pumps a valve may be installed in the suction side of the system that acts to interrupt the flow of additive to the injector. This may be either a manual valve or solenoid operated. For best results, the valve should be located as close to the injector as possible. **Caution:** If a solenoid operated valve is used, make certain the orifice size is large enough to cause no restriction in flow of the additive. In addition, the valve **Must Be Direct Acting.** Many valves are "pilot operated," meaning that they require at least 5 PSI line pressure in the line. **This Type Of Valve Will Not Work In This Application.**

LOCATING THE SYSTEM

In rack loading installations, there are usually several locations for installing the system.

The first choice would be remote from the island at some point in the main product line between the product pump and where the pipe goes underground or overhead, leading to the

island itself. This type installation is usually used in cases where all the product handled by the island will be treated. Although the additive can be turned off, if two loading arms on the island are being used simultaneously, it is not possible to isolate one and not the other for injection.

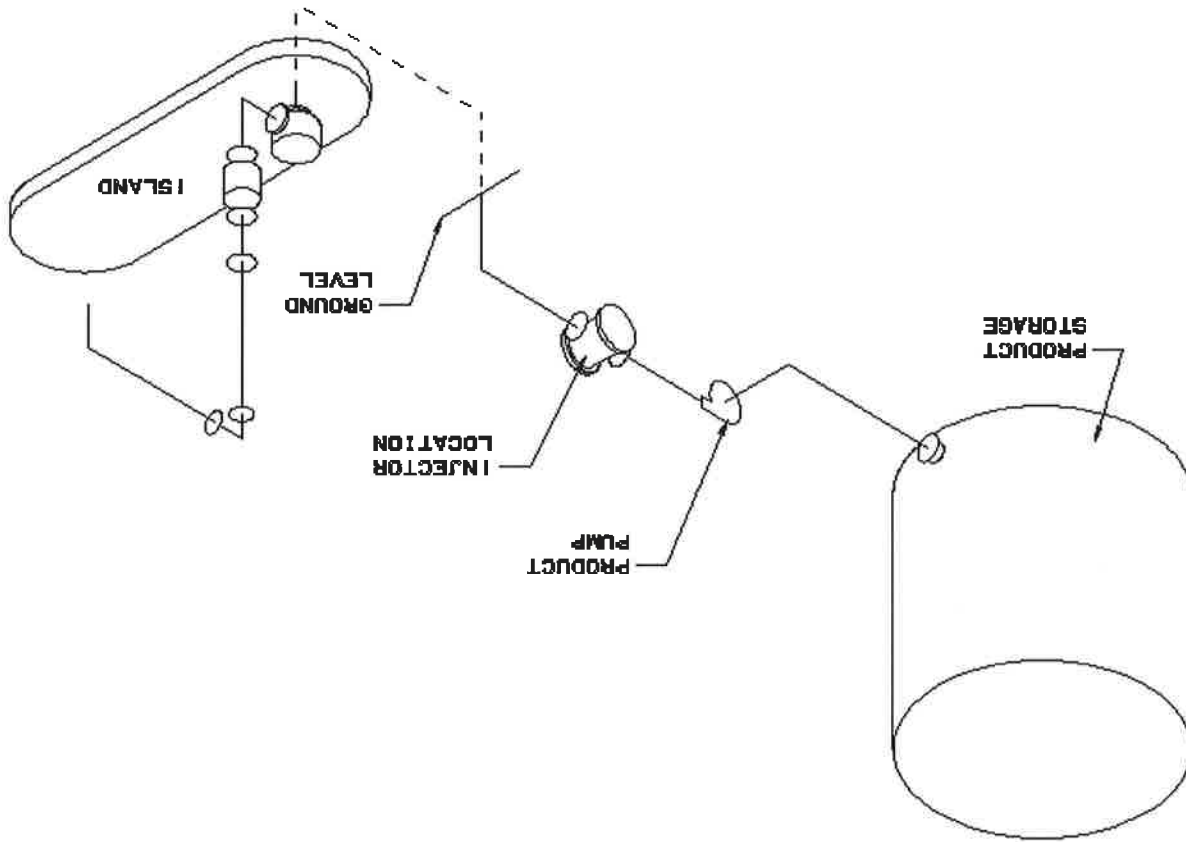
The second method for ON/OFF operation is to provide a 3-way valve on the discharge side of the injector. One position sends output to the product line, the other sends output back to the tank. Make certain the valve used does not have a blocked center position as blocking the discharge of the injector will cause serious damage. This is the only recommended method for Rotary Pumps.

Here is how it works. Since the injector is a diaphragm type pump, it can be operated "DRY" without fluid damage. When the additive supply valve is turned off, the injector simply maintains a suction on the additive line until the valve is opened for operation. The injector immediately begins pumping when the valve is returned to the ON position. Most injector pumps used on the Model 2000 can operate in the OFF position with the suction blocked. However, there are some special units (rotary pumps) that cannot be blocked. These will be labeled accordingly. If there are any doubts, please consult the factory.

Remember, the suction side of the injector may be either at a very low pressure or a slight vacuum. Therefore, a direct acting valve must be used. Make certain valve trim elastomers are compatible with the additive. Even slight swelling of the valve seals can cause erratic operation and, in some cases, total failure of the valve.



INJECTOR LOCATION FOR OFF-ISLAND INSTALLATION

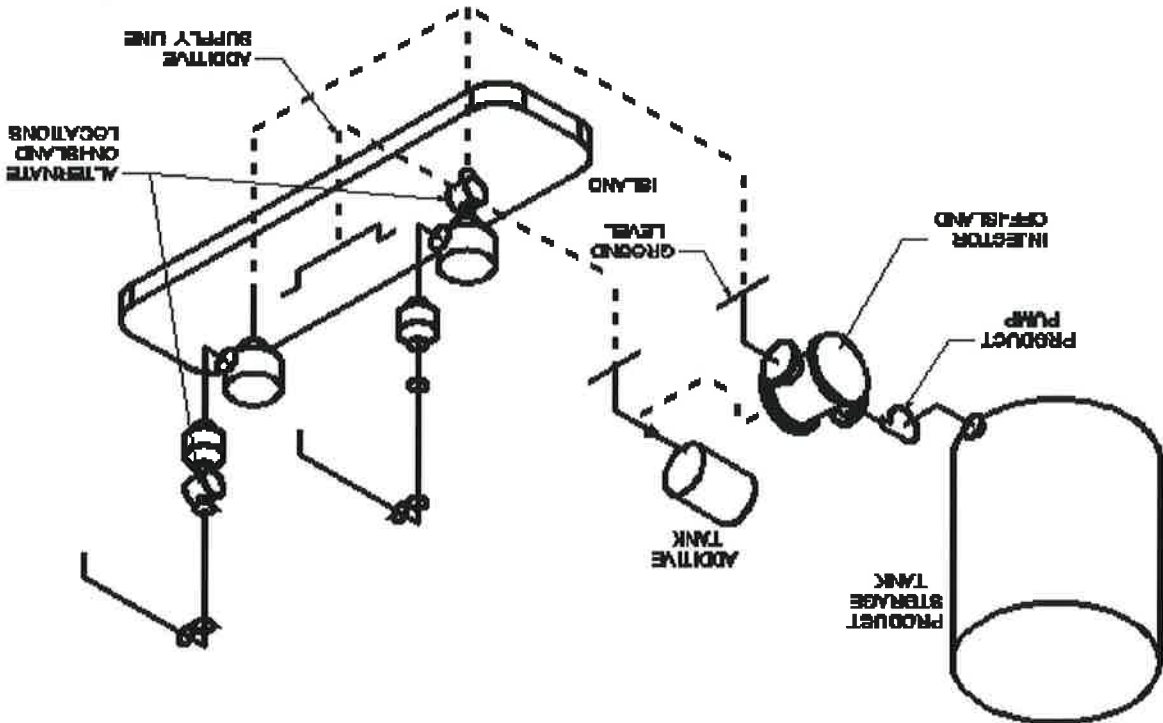


The injector should not be located between the product pump and the product storage tank. In remote island installations such as illustrated above, positive displacement drivers can be used in either horizontal or vertical straight runs of pipe.

The other option for basic location is on the island itself. In this installation, a unit is usually placed on each of the loading arms, providing for the selective injection of any combination. The unit may be installed at any point from where the pipe exits the ground to where the swivel arm begins for the hose drop. This location offers versatility in that a single injector can be shared by up to four (4) separate users, injecting different additives on demand. There is almost always a convenient "spot" to install the system in a short run of straight-line pipe.



INJECTOR LOCATION FOR ON-ISLAND INSTALLATION



CHOOSING THE SPOT FOR INSTALLATION OF THE UNIT ON THE ISLAND

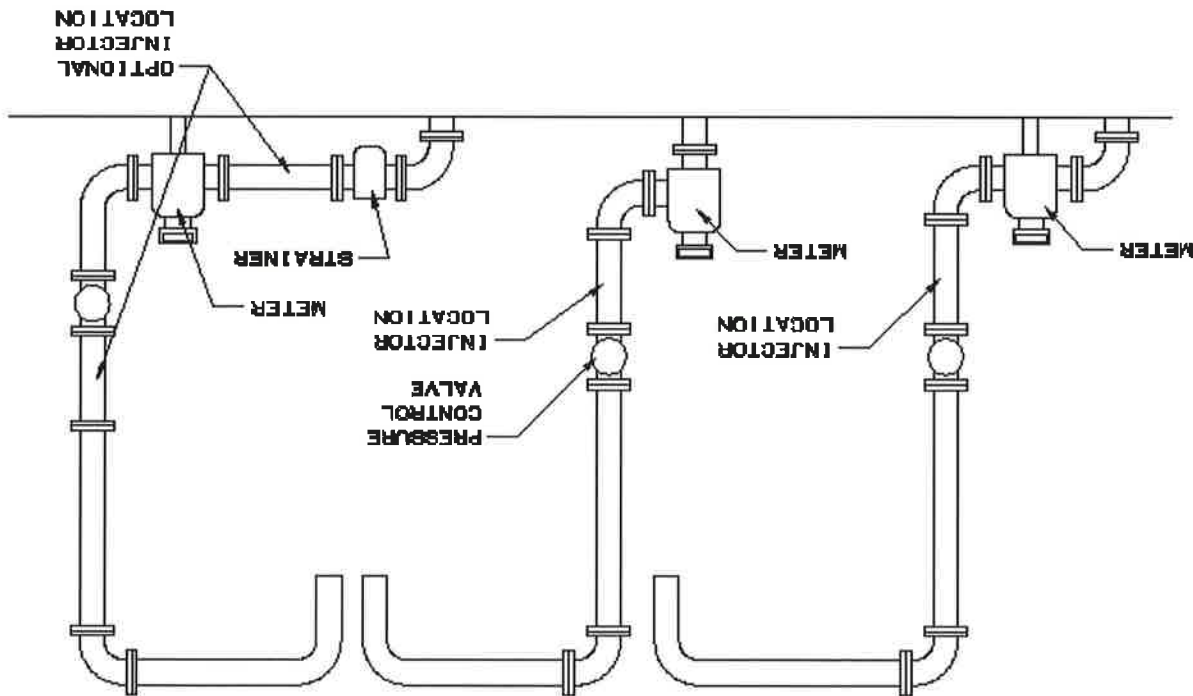
Most island loading arms will present at least two and sometimes three mounting options. Consideration should be given to serviceability and traffic of personnel and equipment such as swinging hoses.

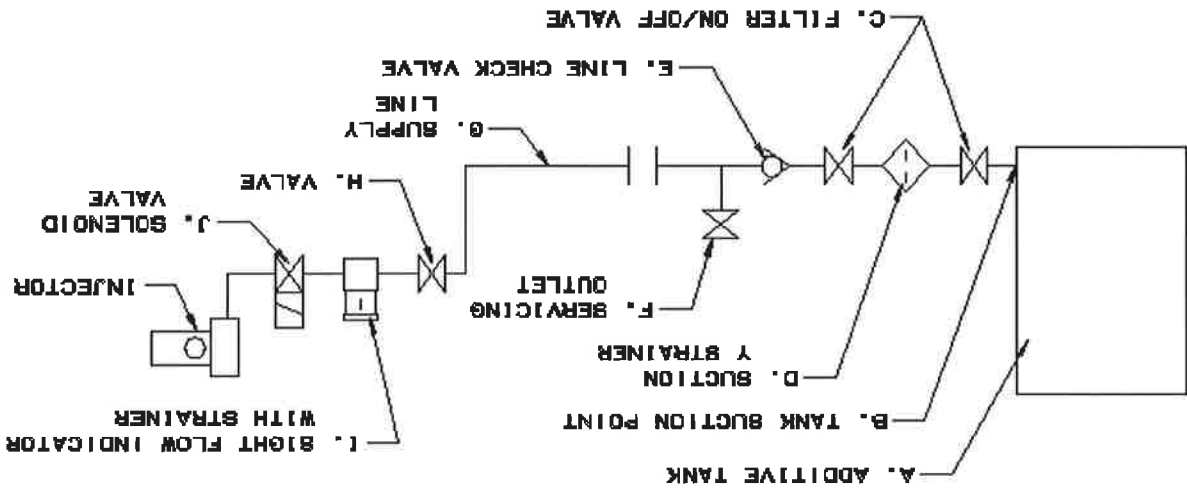
Location of the injector at the island is usually handy to existing wiring conduits for card controls, allowing for easy installation of the on/off solenoid. Units can be configured for horizontal or vertical installation.

The additive tank should always be placed as close to the injector as possible. Ideally, the tank should be at the same level or slightly higher than the unit providing a flooded suction to the injector. If this is not possible, the injector will pull a suction lift, providing special care is taken to assure there are absolutely no leaks in the suction line of the injector. A pin hole will prevent the system from priming and/or operating efficiently. Tape

all connections carefully with Teflon sealant. The injector should not be required to lift additive more than four (4) feet. The illustration below identifies the basic components necessary for a complete additive supply system. Study the information provided for each component, as each part plays a vital role in the overall performance of the system.

ADDITIVE SUPPLY SYSTEM





A. THE ADDITIVE TANK: Additive tanks should be constructed of materials compatible with the additive. Tanks should be new and free from scale, rust and corrosion. Any loose surface material inside the tank will fall into suspension and contaminate the additive after startup. Care should be taken to prevent sandblast and from entering the tank during the manufacturing process. If water is used for testing, the tank should be dried internally to prevent the formation of rust.

B. TANK SUCTION POINT: Suction should never be taken from the very bottom of the tank. Should foreign material of any kind be present, the line will become plugged, causing either failure or erratic performance of

the system. Remember, there are components in every additive system that are sensitive to contamination. Suction should be taken at least 1" off the bottom of the tank to prevent the introduction of foreign sediments off the bottom.

C. FILTER ON/OFF VALVE: A full opening ball valve of at least the diameter of the additive supply line should be placed on either side of the suction Y strainer. Two valves are necessary in order to clean the strainer without losing the entire line full of additive. This will prevent having to re-prime the system each time the strainer is cleaned.

D. SUCTION Y STRAINER: A large Y type strainer with a screen opening of not more

than 50 is ideal for taking most harmful particles from the additive supply. Any smaller mesh will cause excessive friction loss. If the openings are too large, the strainer will do little to protect the system.

E. SUCTION LINE CHECK VALVE:

This suction line check valve is used to provide additional insurance that the primed line will not drain back between uses. If the additive supply line is properly installed without leaks, it will remain full even when not in use. This line check valve is suggested as an extra precaution to prevent loss of system prime. The valve should be made of a material compatible with the additive, and have a "feather light" opening pressure. The valve should be a ball type with a synthetic material that is very light, preferably with no spring. The gravity of the material will seat the ball. Consult the factory if there is any question regarding the proper valve for this application.

F. SERVICING OUTLET:

The service outlet provides a means for operating a manual pump in the additive supply line. The pump can be connected and used for purging air from the line while priming. Although this is an option, the factory strongly recommends the accessory for easy startup and service. A simple tee and on/off valve is used for this purpose.

G. ADDITIVE SUPPLY LINE:

The size of the delivery line to the injector is important when long distances are involved. Use the following chart for determining line size.

0 - 500 PPM up to 25'	1/2"
25 to 50'	3/4"
50 to 100'	1"
Over 1000 PPM up to 25'	2"
25 to 50'	2 1/2"
50 to 100'	3"

The above lines will supply up to four (4) injectors simultaneously at the rates given. Consult the factory for greater requirements.

H. SIGHT FLOW/STRAINER VALVE:

This valve is also a full opening ball valve that is used to isolate the additive line when cleaning the strainer in the Sight Flow Indicator.

I. SIGHT FLOW INDICATOR/SUCTION STRAINER:

This strainer is used to provide indication of the system's operation, as well as add extra protection for the solenoid valve from trash and contamination. When properly installed, this indicator will give the operator proof that the system is operating properly.

J. SOLENOID VALVE:

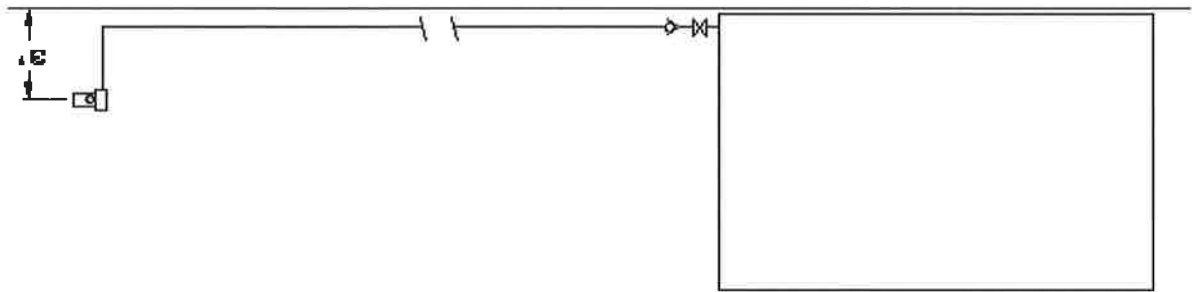
This valve is provided for the remote operation of the system. It is important that the valve is a direct acting type that requires no pressure from the line in which it controls. The materials of the valve body and the elastomers are extremely important as any reaction with the additive can cause failures. Consult the factory to make certain that the valve and trim materials are compatible. Also, make certain that the orifice in the valve is at least 7/16", with 5/8" being ideal. Any restriction in this orifice will cause the system to work harder to perform the given ratio of injection.



ADDITIVE TANK INSTALLATION

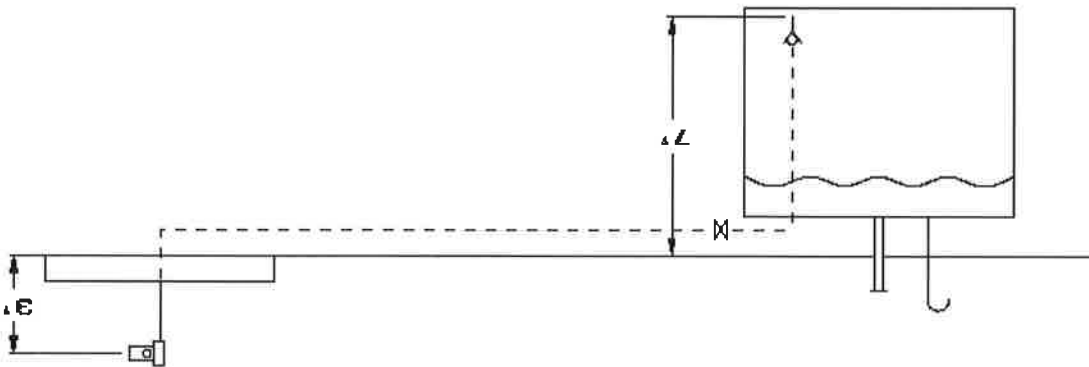
mechanisms are necessary, installation goes faster and at less cost. The choice of appropriate components and pipe sizes, along with leak-free installation, will determine if the system works properly and consistently.

Placement of the additive tank and related supply lines relative to the injector is critical to performance of any additive system. The following illustrations will provide information regarding the various types of tank installations and their connection to the additive injectors. Hammonds injectors offer the greatest flexibility in tank and supply line installation of any additive injection system on the market. Since no pumps or feed



OPTION 1 - ABOVE GROUND TANK, ABOVE GROUND DELIVERY LINES

This installation calls for both the tank and the supply lines to be above ground. The bottom of the tank is very close to the ground, and the injector is approximately 3' above ground. Using a 4' diameter tank, this would provide a variable net suction head to the injector of +1' when the tank is full to a worst condition of a -3' when the tank is almost empty. A Y type strainer should be located at the tank. A full opening ball valve located on each side of the strainer, with a light action (less than 1/2 PSI) check valve installed to assist in holding the prime. Install a ball valve just upstream of the Sight Flow Indicator, and if one is to be used, install the solenoid-operated valve between the Sight Flow Indicator and the injector. Use the table listed in the previous section for selection of pipe diameter.



OPTION 4 - BELOW GROUND TANK, BELOW GROUND LINES

This is the most difficult application for a non-pressurized additive supply. In this case, the pump must overcome a negative lift equal to the total distance between the bottom of the tank and the injector above ground.

This is not recommended because fittings and check valves leak. If equipment is installed in this manner it will void the factory warranty.

PREPARATION FOR CALIBRATION AND STARTUP

Before Attempting To Start The System Or Make Calibrations, Please Read The Following Information Carefully.

necessary parts and procedure for "zero spill" startup and calibration.

A WORD ABOUT ADDITIVES

Most additives being used in fuels today have at least some degree of toxicity. Many are very dangerous. Extreme caution should be taken in handling additives. Remember, the additive is placed under pressure when being injected into the line, and when collecting samples during calibration, some spillage may occur. Be careful, wear protective clothing including eye protection. Be sure you have facilities to wash off any additive that may come in contact with your skin. Read all additive manufacturers safety precautions and Material Safety Data Sheets, following them to the letter.

During startup and calibration, you will be bleeding the system of air, collecting samples of additive during the calibration and checking for possible leaks throughout the system. Provisions should be made for collection or clean-up of spilled fluid. Attempts should be made to minimize losses during these procedures. If the additive being handled is flammable, fire safety precautions should be taken. Since the installation may also be tested at this time, extreme caution should be used in checking for leaks of the main line. If you wish to set the system up for leak-free testing and calibration with zero spillage, please consult your local distributor or the factory for help in doing so. Hammonds is glad to suggest any



HERE IS WHAT IS NEEDED:

Appropriate safety protection equipment.

Eye protection in the form of safety goggles.

An assortment of wrenches that fit the various fittings on the system. Note: two (2) 10" crescent wrenches will normally take care of any adjustments to fittings you may have to make. One to hold the fitting, and one to hold the adjacent fitting.

A marked graduated glass bottle that is marked in either CC's or ounces. (At least 16 oz.)

A stop watch.

CALIBRATION AND STARTUP

A means of determining the flow rate of the main system.
A small pocket calculator is helpful.
A clipboard is helpful with pad of paper.
AT LEAST ONE, AND PREFERABLY TWO HELPERS
A large container or catch basin to collect the output of the pump while you are not actually calibrating the system.
REMEMBER: Any plumbing system varies with temperature and fluid being pumped. The system also changes as parts of the pump wear.

Please Follow These Steps In Their Given Order. Read Them Over Carefully Before Starting, Then Follow Them To The Letter. If There Is Any Part Of The Procedure That Is Not Clear, Consult Your Local Distributor Or The Factory Directly.

1. Make certain the additive tank is full of the proper additive.

2. Open the suction valve between the tank and the pump. This valve should be located at any point between the additive tank and the injector.

3. All systems are calibrated at the factory to customer specified requirements. So if adjustments are required, they should only be minor. If this is the case, go directly to step 6.

4. FOR DIAPHRAGM PUMPS ONLY: IF

you are starting from scratch in the calibration and adjustment, loosen the stroke adjustment locking screws located on the bottom of the pump body directly under the stroke adjustment knob. This will allow the stroke adjustment to be moved. These are not the dial knobs within the circle of numbers, these are lock down screws.

5. **A. FOR DIAPHRAGM PUMPS ONLY:** Adjust the stroke adjustment knobs located on the pump body to approximately 50%. **CAUTION:** Do not turn these adjustments with excessive force. If they are difficult to adjust, simply rotate the main rotor shaft, by producing flow in main product line. Lock the stroke adjustment locking screws down firmly.

6. **B. FOR ROTARY PUMPS:** To increase injector output, turn hand crank to next number. To decrease output, turn to higher number. **CAUTION:** Only adjust variable belt drive while fluid motor is turning.

7. Set the calibration valve in the "calibrate position." This is done by making certain that the handle on the valve is pointed to the side that has the short calibration tube that is open on the end.

8. Make certain all product connections going to and from the system are in their proper, locked position to ensure safe, leakproof flow of product through the fluid motor. Double check the flow direction arrows located on the fluid motor housing, and check valves before



15. As soon as the pump begins discharging a clear, air free stream of fluid from the calibration tube, you are ready to begin your calibration. At this point, the system is primed. * Hammonds Recommends Using The Pressure Simulating Calibration Device Shown In The Back Of This Manual.

16. You will now prepare to make your first actual calibration run. Empty your collected additive back into the tank, putting the bottle back under the calibration tube. Notice the setting on the main product meter, set your stop watch at zero.

17. When ready, start the system again. Stop it at the decided time interval or meter reading. Calculate the amount of product that traveled through the system. Measure the amount of additive gathered, and record the amount of elapsed time.

18. It will be at this time that you will have to calculate how much additive you should have collected for the amount of fuel that the system pumped. This, of course, depends upon the ratio that is required. The following example is the easiest way of explaining the procedure without getting too complicated. It is not the only way...use it if you like.

Example condition: Amount of product pumped: 500 gallons
Ratio of additive desired: 250 PPM
(Parts per million)

It is assumed that the operator will know how much product is being pumped through the system in a given length of time. If, for example, you have a meter that registers the flow in gallons, you simply record the gallons at the beginning of the timed run, and then again at the end of the run. If you run for one (1) minute, you simply subtract the beginning number on the meter from the number registered after the run. This will give you the gallons per

and after the pump to ensure that the system is installed properly.

9. At this point, consider the information you will have to gather during the next few steps of the calibration process.

A. What will the flow rate through the unit be?

B. What is the length of time that the calibration will cover?

C. What is the amount of additive in ounces or cc's that you will need to collect based on the duration of the calibration.

You Should Have The Answer To All Of These Questions Before Your First Trial Run.

10. Before starting the main product flow through the system, make certain everyone understands that you will run the system for, let's say, one (1) minute. Even shorter runs are fine, especially if you are running at high flow rates.

11. Place the measured graduate under the calibration tube. Put on your eye protection.

11. At the command of the time keeper, or that person watching the flow meter, start the main product pumps.

13. Give the system a few seconds to gather momentum and flow through the fluid motor. Notice if the additive injector system is turning. The bearing on the shaft under the stroke adjustment knob cover should be spinning.

14. If the pump is being started up for the first time, it will take a few seconds to prime itself and begin discharging fluid from the calibration tube. Is your eye protection on? If not, **PUT IT ON NOW!**



Third, multiply the .06 x 250 (for 250 PPM ratio). The answer is 15 ounces.

So, you should collect 15 ounces of additive for every 500 gallons of fuel pumped.

These are all large, round numbers. You may, for example, only be running at 100 GPM, not 500. Use the same procedure, just change the numbers to fit your application.

No two systems will ever perform exactly the same. For this reason, the procedures given for calibration are general in nature. Obviously, it is impossible to provide a graph or table that would be absolutely accurate in every case. With that in mind, all tables and graphs should be used as general guidelines. Remember, the calculated, timed and measured output that you gather is absolute. Trust your figures and your calculations.

minute (GPM). Having to make this calculation is the only reason for timing the run. You can accomplish the same result by just watching the meter and stopping the system when you have totaled the desired amount of gallons through the system. In any case, you must know the amount of product passing through the system before calibration can begin.

First, change the gallons pumped into ounces by multiplying total gallons (in our example 500) by 128 (128 oz. to a gallon). The answer is 64,000 ounces.

Second, divide by 1,000,000. The answer is .06. Since you are dealing in 1/1,000,000 (one part per million) of the total for your ratio, you must find out what 1/1,000,000 of the 500 gallons is, .06 ounces is 1/1,000,000th (one part per million) of 500 gallons.

ADDITIVE CHART

1000 PPM	270 PPM	135 PPM	GALLONS
12.8 OZ.	3.4 OZ.	1.7 OZ.	100
25.6 OZ.	6.9 OZ.	3.4 OZ.	200
51.2 OZ.	13.8 OZ.	6.9 OZ.	400
64.0 OZ.	17.2 OZ.	8.6 OZ.	500
89.6 OZ.	24.0 OZ.	12.0 OZ.	700
128.0 OZ.	34.5 OZ.	17.2 OZ.	1000

TROUBLESHOOTING THE SYSTEM

time. This will generally jar them loose. The balls are very small, and will sometimes become stuck. After the valve is loosened and has a supply of fluid, usually it will not stick again.

C. The pump is not getting additive. Check the valve between the pump and the tank. Check all connections in the line between the pump and the tank.

D. The vent on the tank is not open causing the pump to pull a vacuum. Open the vent. Check to see if the cap has been removed from the dryer cartridge, if so equipped.

E. The pump stroke is set at zero. Check to see if the locking screws have been left loose, allowing the adjustment knobs to rotate to zero percent (0%) of stroke.

F. The additive tank is empty...don't laugh, it happens.

THE INJECTOR IS OPERATING BUT WITH REDUCED OUTPUT

A. Leaking suction line or trash in discharge check valve.

B. Air leak in suction side of system.

C. Defective tubing or piping on suction side.

D. Leaks in threaded connections - suction side.

E. If so equipped, a relief valve on injector may be bleeding part of the output back to suction. Relief valve may not be working, or retaining nut may have vibrated loose causing valve to fall entirely, bleeding output back to suction.

F. Injector diaphragm may be pulled out in back causing injector to pump in forward portion of stroke only. This will not create a visible leak but will reduce output by 50%. It usually happens after many hours of operation.

G. Fluid motor vanes are badly worn. This would only be probable after a very high number of hours of operation.

The following conditions are given as a means of troubleshooting the system. Each condition lists a number of possible causes. In most cases, trouble can be solved by the use of this section. Please read it carefully before attempting repairs or making changes in the system.

FLUID MOTOR IS NOT TURNING

A. Insufficient flow to turn the motor. A minimum of about 600 GPM must be present to start the system.

B. A rag or some other object is jammed in the line preventing the fluid motor from turning.

C. A diverter valve is blocked downstream of the system, blocking the fuel flow through the system.

D. A valve is closed upstream of the fluid motor starving the product flow.

E. If the unit has been recently serviced internally, or it is new, the rotor might be installed backwards. Consult the factory before disassembly.

INJECTOR IS TURNING AND PUMP IS RUNNING, BUT WITH NO OUTPUT

A. Pump is air-locked. In some cases where there is a very long line running from the injector head and the point of injection into the system, there is sufficient air volume to cause the pump to act as a compressor. It is not able to open the valves throughout the system and therefore, cannot pull a suction of fluid to the pump. Loosen the connection at the injection point check valve and allow it to remain open until the pump begins pumping. This is rare, but can happen in some cases of unusual installations.

B. One or more of the suction or discharge check valves is not working. While the pump is running, tap on the side of the valves, one at a

PREVENTIVE MAINTENANCE

6. Visually check around the pump head and make certain there is no leaking of additive around the fluid ends. If there is, check the tightness of the head bolts. (40 inch pounds each)
7. Check the grease around the eccentric drive bearing in the pump every 6 months. Use a good waterproof grease.
8. It is recommended that the injector diaphragm be changed at least every 12 months. Every 6 months under extreme operating conditions. Doing so will prevent unexpected failures and scheduled downtime.

Hammonds injectors are very dependable. If installed properly and sized appropriately to the application, they require very little maintenance. Remember, keep the additive clean, and the suction strainer clean. If you have problems with the pump working, it is usually in the suction side of the system (between the injection pump and the additive tank). Suction lines and fittings are notorious for leaking just enough to prevent the system from working. Always check to ensure optimum suction conditions should problems occur.

Remember, a leak in the suction allows air from the outside to be introduced into the system. It does not always mean a visible leak of additive. If the pump loses its prime or output is erratic, chances are good that there are problems in the suction side. Otherwise, if it is working...leave it alone!!!!

1. Make certain to use only clean, fresh additive that has been stored in a sealed container. Most additives are moisture sensitive. Some will form heavy crystals if allowed to accumulate moisture. These crystals will stop the pump in very short order, if not cause calibration to be changed due to clogging of the valves and other parts.

2. Check the additive filter screen at least every six months. More often if there is an indication of possible contamination.

3. Check the system for leaks at every use. This is an extremely important safety procedure, since some additives are flammable, caustic and corrosive.

4. Check for leaks from the seal that is located at the exit point of the injector output shaft in the side plate housing. This should be done at each operation. Leakage at this point usually indicates that the mechanical seal inside the rotor housing is leaking. A leak here will be fuel, and is not only dangerous from a fire standpoint, but will quickly ruin the bearings on the rotor shaft, since all lubricant will be washed away.

5. Check the fittings for leakage around the suction strainer or sight flow indicator, if one is used on the pump. Check this fitting each time the filter is changed or cleaned. Make certain there are no leaks in the suction line. A very small leak will either change the operation of the pump or prevent it from operating all together.



PREVENTATIVE MAINTENANCE SCHEDULE

NOTE: It is important to read the previous pages on preventative maintenance. These intervals are general, and may vary according to individual applications and severity of service.

SERVICE FUNCTION	0-4 HRS DAILY	5-8 HRS DAILY	8+HRS DAILY
Check gear reducer oil level	Monthly	Monthly	Monthly
Check additive filter screen	Monthly	Monthly	Monthly
Check system for additive/fuel leaks	Daily	Daily	Daily
Inspect diaphragms/plunger seals	12 Months	6 Months	3 Months
Replace diaphragms/plunger seals	12 Months	As needed	As needed
Check eccentric bearing grease	6 Months	3 Months	Monthly
Check stroke adjustment parts for looseness	Monthly	Monthly	Monthly
Replace stroke adjustment parts	24 Months	As needed	As needed
Disassemble and inspect turbine housing and internal parts	24 Months	12 Months	8 Months
Grease bearings	12 Months	6 Months	3 Months

DESICCANT DRYER

Your Hammonds additive system may include either a custom additive tank or one of several Sight Flow Indicators. Both custom tanks and the 5-SF and 55-SF Sight Flow Indicator come equipped with a desiccant dryer cartridge. These units come in several different sizes.

Most systems come equipped with the standard 3/4" cartridge. This unit is attached to the tank or Sight Flow Indicator via a short length of black rubber hose. The cartridge has a housing constructed of a clear poly material and is filled with a blue colored desiccant crystal. All these units are shipped from the factory with a small yellow cap on the unattached end of the cartridge.

Some systems may come equipped with a large canister measuring approximately 2" diameter and 8-10" in length. These units perform the same function, just on a larger

scale. Due to their greater capacity, they last longer between service. These units are sealed from the factory by a small, yellow plastic plug which is located either on the bottom or one side of the canister.

The purpose of all desiccant dryers is simply to remove moisture from the air as the system breathes. All tanks or portable sources of additive supply must be vented to atmosphere in order for the injector to operate. If moisture in this venting air is not removed, some additives are either ruined or seriously damaged. Prist® (FSII), for example, is designed to seek out water in a fluid. So, when enough moisture is absorbed into the container, the Prist® (FSII) is diluted and at some point will be ruined. Biobor® JF, an anti-fungal material, will form crystals in the presence of moisture and not only perform unsatisfactorily as an additive, but will stop up pumps and lines as well.



The following instructions apply to all desiccant cartridges:

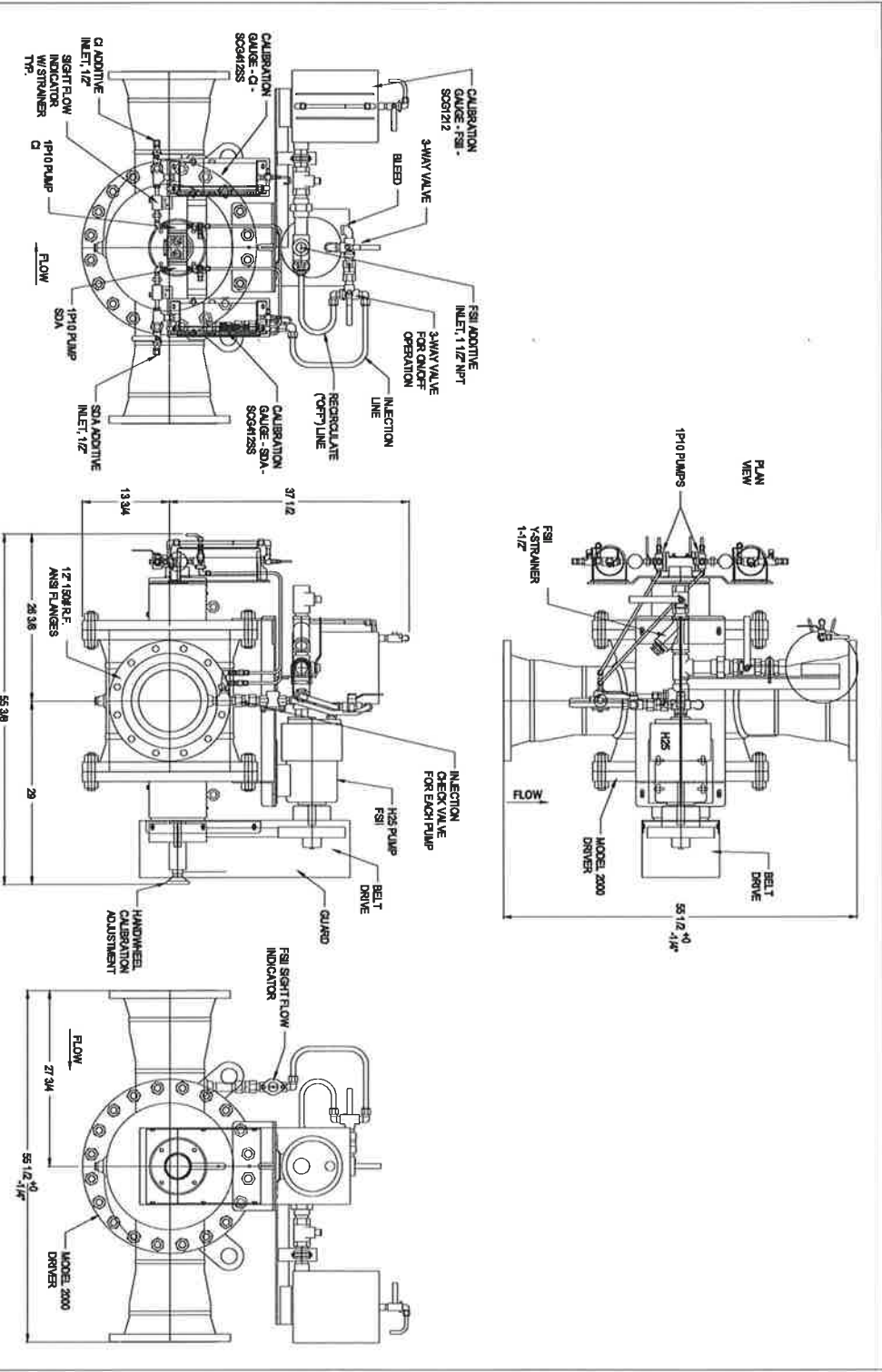
A. Remove the yellow cap or plug when the system is placed into service.
B. Observe the color of the desiccant. The original color is blue. As moisture is absorbed, the color will change to pink. When the cartridge is completely pink, it should either have its contents removed, dried and replaced, or the entire unit replaced.

C. **NOTE:** The contents can be removed from plastic container, placed on a pan and baked at 400°F in a conventional oven until the moisture has been removed. When the color blue returns, the cooled material may be reinstalled into plastic containers and is again ready for service.

D. Color change and cartridge life is totally dependent on humidity. The more moist the air, the shorter the life. Keeping it dry is especially important if additive is not consumed rapidly. Check daily and service as needed.



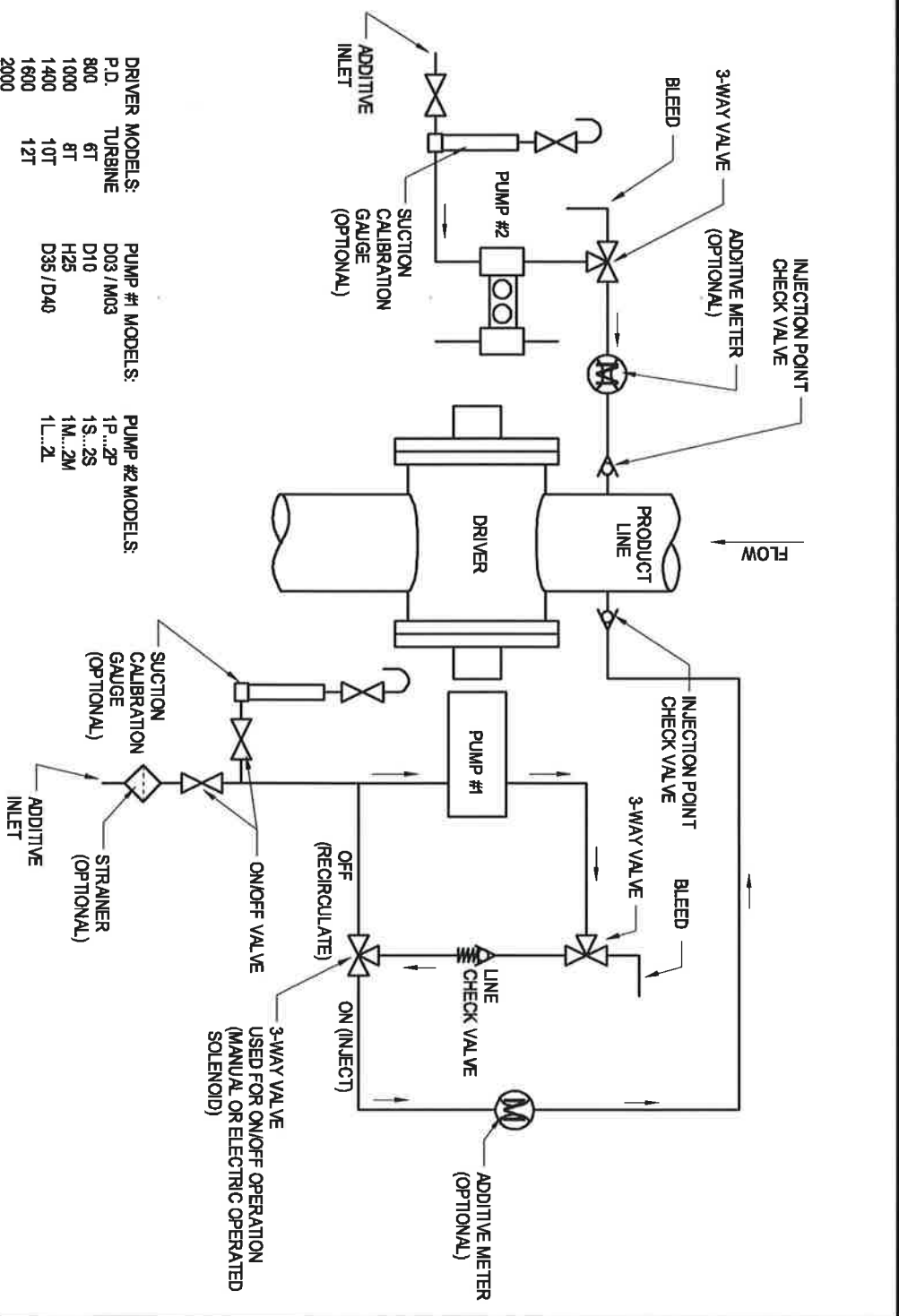
Model 2000-H25X-1P10-1P10 Injection System Manual



NO.	REVISION	DATE	BY	SS	X	APPROV	DATE	TO SER#	DATE
INITIAL RELEASE		06/16/11	SS	X					
DRAWING LEVELS		DATE	BY	SS	X	FROM SER#	DATE	TO SER#	DATE
2116		35-37-40-43							
VIEW		DATE	BY	SS	X				
1									
<p>*TOLERANCES* ALL DIMENSIONS ARE IN INCHES UNLESS OTHERWISE SPECIFIED. *DIMS. DECIMALS *TOL. ANGLES: XXX ± .005 ± .005 XXX ± .015 ± .015 XXX ± .030 ± .030 XXX ± .060 ± .060 XXX ± .125 ± .125 XXX ± .250 ± .250 XXX ± .500 ± .500 XXX ± 1.000 ± 1.000 XXX ± 2.000 ± 2.000 XXX ± 4.000 ± 4.000 XXX ± 8.000 ± 8.000 XXX ± 16.000 ± 16.000 XXX ± 32.000 ± 32.000 XXX ± 64.000 ± 64.000 XXX ± 128.000 ± 128.000 XXX ± 256.000 ± 256.000 XXX ± 512.000 ± 512.000 XXX ± 1024.000 ± 1024.000 XXX ± 2048.000 ± 2048.000 XXX ± 4096.000 ± 4096.000 XXX ± 8192.000 ± 8192.000 XXX ± 16384.000 ± 16384.000 XXX ± 32768.000 ± 32768.000 XXX ± 65536.000 ± 65536.000 XXX ± 131072.000 ± 131072.000 XXX ± 262144.000 ± 262144.000 XXX ± 524288.000 ± 524288.000 XXX ± 1048576.000 ± 1048576.000 XXX ± 2097152.000 ± 2097152.000 XXX ± 4194304.000 ± 4194304.000 XXX ± 8388608.000 ± 8388608.000 XXX ± 16777216.000 ± 16777216.000 XXX ± 33554432.000 ± 33554432.000 XXX ± 67108864.000 ± 67108864.000 XXX ± 134217728.000 ± 134217728.000 XXX ± 268435456.000 ± 268435456.000 XXX ± 536870912.000 ± 536870912.000 XXX ± 1073741824.000 ± 1073741824.000 XXX ± 2147483648.000 ± 2147483648.000 XXX ± 4294967296.000 ± 4294967296.000 XXX ± 8589934592.000 ± 8589934592.000 XXX ± 17179869184.000 ± 17179869184.000 XXX ± 34359738368.000 ± 34359738368.000 XXX ± 68719476736.000 ± 68719476736.000 XXX ± 137438953472.000 ± 137438953472.000 XXX ± 274877906944.000 ± 274877906944.000 XXX ± 549755813888.000 ± 549755813888.000 XXX ± 1099511627776.000 ± 1099511627776.000 XXX ± 2199023255552.000 ± 2199023255552.000 XXX ± 4398046511104.000 ± 4398046511104.000 XXX ± 8796093022208.000 ± 8796093022208.000 XXX ± 17592186044416.000 ± 17592186044416.000 XXX ± 35184372088832.000 ± 35184372088832.000 XXX ± 70368744177664.000 ± 70368744177664.000 XXX ± 140737488355328.000 ± 140737488355328.000 XXX ± 281474976710656.000 ± 281474976710656.000 XXX ± 562949953421312.000 ± 562949953421312.000 XXX ± 1125899906842624.000 ± 1125899906842624.000 XXX ± 2251799813685248.000 ± 2251799813685248.000 XXX ± 4503599627370496.000 ± 4503599627370496.000 XXX ± 9007199254740992.000 ± 9007199254740992.000 XXX ± 18014398509481984.000 ± 18014398509481984.000 XXX ± 36028797018963968.000 ± 36028797018963968.000 XXX ± 72057594037927936.000 ± 72057594037927936.000 XXX ± 144115188075855872.000 ± 144115188075855872.000 XXX ± 288230376151711744.000 ± 288230376151711744.000 XXX ± 576460752303423488.000 ± 576460752303423488.000 XXX ± 1152921504606846976.000 ± 1152921504606846976.000 XXX ± 2305843009213693952.000 ± 2305843009213693952.000 XXX ± 4611686018427387904.000 ± 4611686018427387904.000 XXX ± 9223372036854775808.000 ± 9223372036854775808.000 XXX ± 18446744073709551616.000 ± 18446744073709551616.000 XXX ± 36893488147419103232.000 ± 36893488147419103232.000 XXX ± 73786976294838206464.000 ± 73786976294838206464.000 XXX ± 147573952589676412928.000 ± 147573952589676412928.000 XXX ± 295147905179352825856.000 ± 295147905179352825856.000 XXX ± 590295810358705651712.000 ± 590295810358705651712.000 XXX ± 1180591620717411303424.000 ± 1180591620717411303424.000 XXX ± 2361183241434822606848.000 ± 2361183241434822606848.000 XXX ± 4722366482869645213696.000 ± 4722366482869645213696.000 XXX ± 9444732965739290427392.000 ± 9444732965739290427392.000 XXX ± 18889465931478580854784.000 ± 18889465931478580854784.000 XXX ± 37778931862957161709568.000 ± 37778931862957161709568.000 XXX ± 75557863725914323419136.000 ± 75557863725914323419136.000 XXX ± 151115727451828646838272.000 ± 151115727451828646838272.000 XXX ± 302231454903657293676544.000 ± 302231454903657293676544.000 XXX ± 604462909807314587353088.000 ± 604462909807314587353088.000 XXX ± 1208925819614629174706176.000 ± 1208925819614629174706176.000 XXX ± 2417851639229258349412352.000 ± 2417851639229258349412352.000 XXX ± 4835703278458516698824704.000 ± 4835703278458516698824704.000 XXX ± 9671406556917033397649408.000 ± 9671406556917033397649408.000 XXX ± 19342813113834066795298816.000 ± 19342813113834066795298816.000 XXX ± 38685626227668133590597632.000 ± 38685626227668133590597632.000 XXX ± 77371252455336267181195264.000 ± 77371252455336267181195264.000 XXX ± 154742504910672534362390528.000 ± 154742504910672534362390528.000 XXX ± 309485009821345068724781056.000 ± 309485009821345068724781056.000 XXX ± 618970019642690137449562112.000 ± 618970019642690137449562112.000 XXX ± 1237940039285380274899124224.000 ± 1237940039285380274899124224.000 XXX ± 2475880078570760549798248448.000 ± 2475880078570760549798248448.000 XXX ± 4951760157141521099596496896.000 ± 4951760157141521099596496896.000 XXX ± 9903520314283042199192993792.000 ± 9903520314283042199192993792.000 XXX ± 19807040628566084398385887984.000 ± 19807040628566084398385887984.000 XXX ± 39614081257132168796771775968.000 ± 39614081257132168796771775968.000 XXX ± 79228162514264337593543551936.000 ± 79228162514264337593543551936.000 XXX ± 158456325028528675187087103872.000 ± 158456325028528675187087103872.000 XXX ± 316912650057057350374174207744.000 ± 316912650057057350374174207744.000 XXX ± 633825300114114700748348415488.000 ± 633825300114114700748348415488.000 XXX ± 1267650600228229401496696830976.000 ± 1267650600228229401496696830976.000 XXX ± 2535301200456458802993393661952.000 ± 2535301200456458802993393661952.000 XXX ± 5070602400912917605986787323904.000 ± 5070602400912917605986787323904.000 XXX ± 10141204801825835211973574647808.000 ± 10141204801825835211973574647808.000 XXX ± 20282409603651670423947149295616.000 ± 20282409603651670423947149295616.000 XXX ± 40564819207303340847894298591232.000 ± 40564819207303340847894298591232.000 XXX ± 81129638414606681695788597182464.000 ± 81129638414606681695788597182464.000 XXX ± 16225927683221336339157718354912.000 ± 16225927683221336339157718354912.000 XXX ± 32451855366442672678315436709824.000 ± 32451855366442672678315436709824.000 XXX ± 64903710732885345356630873419648.000 ± 64903710732885345356630873419648.000 XXX ± 129807421465706908713261770839296.000 ± 129807421465706908713261770839296.000 XXX ± 259614842931413817426523541678592.000 ± 259614842931413817426523541678592.000 XXX ± 519229685862827634853047083357184.000 ± 519229685862827634853047083357184.000 XXX ± 1038459371725655269706094166714368.000 ± 1038459371725655269706094166714368.000 XXX ± 2076918743451310539412188333428736.000 ± 2076918743451310539412188333428736.000 XXX ± 4153837486902621078824376666857472.000 ± 4153837486902621078824376666857472.000 XXX ± 8307674973805242157648753333714944.000 ± 8307674973805242157648753333714944.000 XXX ± 16615349947610484315297506667429888.000 ± 16615349947610484315297506667429888.000 XXX ± 33230699895220968630595013334859776.000 ± 33230699895220968630595013334859776.000 XXX ± 66461399790441937261190026669719552.000 ± 66461399790441937261190026669719552.000 XXX ± 132922799580883874522380053339439104.000 ± 132922799580883874522380053339439104.000 XXX ± 265845599161767749044760106678878208.000 ± 265845599161767749044760106678878208.000 XXX ± 531691198323535498089520213357756416.000 ± 531691198323535498089520213357756416.000 XXX ± 1063382396647070996179040426715531328.000 ± 1063382396647070996179040426715531328.000 XXX ± 212676479329414199235808085343062656.000 ± 212676479329414199235808085343062656.000 XXX ± 4253529586588283984716161706861251136.000 ± 4253529586588283984716161706861251136.000 XXX ± 8507059173176567969432323413722502272.000 ± 8507059173176567969432323413722502272.000 XXX ± 17014118346353135938864646827445004544.000 ± 17014118346353135938864646827445004544.000 XXX ± 34028236692706271877729293654890009088.000 ± 34028236692706271877729293654890009088.000 XXX ± 68056473385412543755458587309780018176.000 ± 68056473385412543755458587309780018176.000 XXX ± 136112946770825087510911117619560036352.000 ± 136112946770825087510911117619560036352.000 XXX ± 272225893541650175021822352391200727004.000 ± 272225893541650175021822352391200727004.000 XXX ± 54445178708330035004364470478240144408.000 ± 54445178708330035004364470478240144408.000 XXX ± 108890357416660070008728940956480288816.000 ± 108890357416660070008728940956480288816.000 XXX ± 217780714833320140017457881912960577732.000 ± 217780714833320140017457881912960577732.000 XXX ± 43556142966664028003491576382592115464.000 ± 43556142966664028003491576382592115464.000 XXX ± 87112285933328056006983152765184230928.000 ± 87112285933328056006983152765184230928.000 XXX ± 174224571866656112013976625530368461856.000 ± 174224571866656112013976625530368461856.000 XXX ± 348449143733312224027953251060736923712.000 ± 348449143733312224027953251060736923712.000 XXX ± 696898287466624448055906502121473847424.000 ± 696898287466624448055906502121473847424.000 XXX ± 139379657493324889611181304242947688896.000 ± 139379657493324889611181304242947688896.000 XXX ± 278759314986649779222362608485895377792.000 ± 278759314986649779222362608485895377792.000 XXX ± 557518629973299558444725216971791555584.000 ± 557518629973299558444725216971791555584.000 XXX ± 11150372599465991168894504339435431111168.000 ± 11150372599465991168894504339435431111168.000 XXX ± 22300745198931982337789008678870822222336.000 ± 22300745198931982337789008678870822222336.000 XXX ± 44601490397863964675578017357741644444704.000 ± 44601490397863964675578017357741644444704.000 XXX ± 89202980795727929351156034715483288888808.000 ± 89202980795727929351156034715483288888808.000 XXX ± 178405961591455858702312069430966577777616.000 ± 178405961591455858702312069430966577777616.000 XXX ± 356811923182911717404624138861933155555232.000 ± 356811923182911717404624138861933155555232.000 XXX ± 713623846365823434809248277723866311110464.000 ± 713623846365823434809248277723866311110464.000 XXX ± 1427247692731646869618496555447732222208128.000 ± 142724769273164686961849655544773222208128.000 XXX ± 2854495385463293739236993110895464444444512.000 ± 2854495385463293739236993110895464444444512.000 XXX ± 5708990770926587478473986221790928888888024.000 ± 5708990770926587478473986221790928888888024.000 XXX ± 11417981541853174959557972443781777777648.000 ± 11417981541853174959557972443781777777648.000 XXX ± 22835963083706349919115944887563555555296.000 ± 22835963083706349919115944887563555555296.000 XXX ± 45671926167412699838231889771267111111592.000 ± 45671926167412699838231889771267111111592.000 XXX ± 91343852334825399676463779542534222222384.000 ± 91343852334825399676463779542534222222384.000 XXX ± 18268770466965079935292755908506844444768.000 ± 18268770466965079935292755908506844444768.000 XXX ± 3653754093393015987058551181701368888936.000 ± 3653754093393015987058551181701368888936.000 XXX ± 7307508186786031974117102363402737777872.000 ± 7307508186786031974117102363402737777872.000 XXX ± 1461501637357206394823420472805475555544.000 ± 146150163735720639482342047280547555544.000 XXX ± 2923003274714412789646840945610911111088.000 ± 2923003274714412789646840945610911111088.000 XXX ± 58460065494288255792936818912218222222176.000 ± 58460065494288255792936818912218222222176.000 XXX ± 11692013098857651158587367782443644444352.000 ± 11692013098857651158587367782443644444352.000 XXX ± 23384026197715302317174735564887288888704.000 ± 23384026197715302317174735564887288888704.000 XXX ± 467680523954306046343494711297757777616.000 ± 46768052395430604634349471129775777616.000 XXX ± 93536104790861209268698942259551555532.000 ± 93536104790861209268698942259551555532.000 XXX ± 1870722095817224185373978845191031111064.000 ± 1870722095817224185373978845191031111064.000 XXX ± 3741444191634448370747957690382062222128.000 ± 3741444191634448370747957690382062222128.000 XXX ± 7482888383268896741495915380764124444256.000 ± 7482888383268896741495915380764124444256.000 XXX ± 1496577676653779348299831076152828888512.000 ± 1496577676653779348299831076152828888512.000 XXX ± 2993155353307558696599662152305657777024.000 ± 2993155353307558696599662152305657777024.000 XXX ± 59863107066151173931</p>									



Model 2000-H25X-1P10-1P10 Injection System Manual

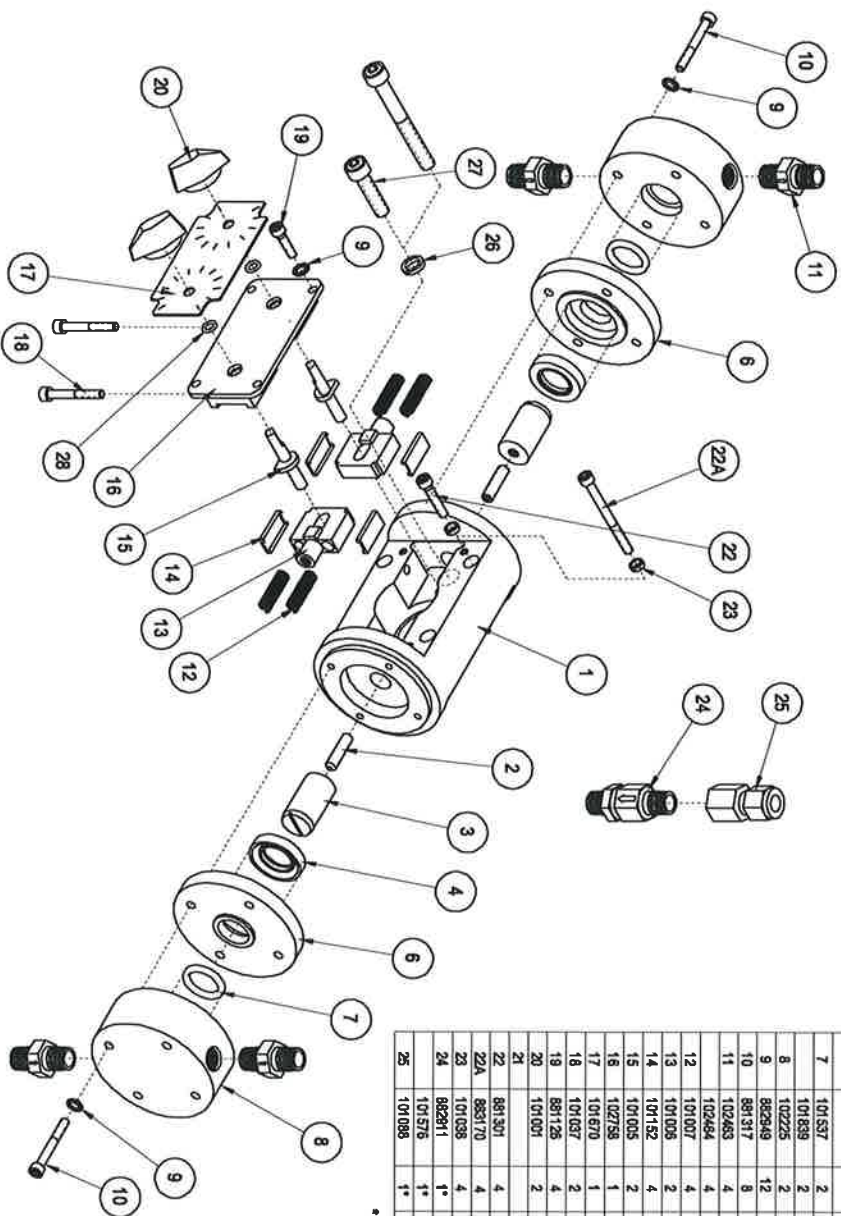


DRIVER MODELS:	PUMP #1 MODELS:	PUMP #2 MODELS:
P.D. TURBINE	D03 / M03	1P..2P
800	D10	1S..2S
1000	H25	1M..2M
1400	D35 / D40	1L..2L
1600		
2000		
2400		

TOLERANCES		*DIMENSIONS*		*TOLERANCES*		*DIMENSIONS*	
ALL DIMENSIONS ARE IN INCHES		ALL DIMENSIONS ARE IN INCHES		ALL DIMENSIONS ARE IN INCHES		ALL DIMENSIONS ARE IN INCHES	
UNLESS OTHERWISE SPECIFIED		UNLESS OTHERWISE SPECIFIED		UNLESS OTHERWISE SPECIFIED		UNLESS OTHERWISE SPECIFIED	
*TIL. DECIMALS:		*TIL. ANGLES:		*TIL. DECIMALS:		*TIL. ANGLES:	
XXX 1/4-.015		XXX 1/4-.015		XXX 1/4-.015		XXX 1/4-.015	
XX 1/8-.010		XX 1/8-.010		XX 1/8-.010		XX 1/8-.010	
X 1/16-.005		X 1/16-.005		X 1/16-.005		X 1/16-.005	
FRAC. 1/4-1/16		FRAC. 1/4-1/16		FRAC. 1/4-1/16		FRAC. 1/4-1/16	
*CONCENTRICITY:		*CONCENTRICITY:		*CONCENTRICITY:		*CONCENTRICITY:	
.005 T.I.R.		.005 T.I.R.		.005 T.I.R.		.005 T.I.R.	
*HARDNESS:		*HARDNESS:		*HARDNESS:		*HARDNESS:	
RHS MIN.		RHS MIN.		RHS MIN.		RHS MIN.	
*FINISH:		*FINISH:		*FINISH:		*FINISH:	
NONE		NONE		NONE		NONE	
*MATERIAL:		*MATERIAL:		*MATERIAL:		*MATERIAL:	
NONE		NONE		NONE		NONE	
*DRAWING TITLE:		*DRAWING TITLE:		*DRAWING TITLE:		*DRAWING TITLE:	
HYDRAULIC SCHEMATIC		HYDRAULIC SCHEMATIC		HYDRAULIC SCHEMATIC		HYDRAULIC SCHEMATIC	
*SCALE:		*SCALE:		*SCALE:		*SCALE:	
1:1		1:1		1:1		1:1	
*DATE:		*DATE:		*DATE:		*DATE:	
04/27/85		04/27/85		04/27/85		04/27/85	
*APPROVED BY:		*APPROVED BY:		*APPROVED BY:		*APPROVED BY:	
SS		SS		SS		SS	
*REVISION:		*REVISION:		*REVISION:		*REVISION:	
2579		2579		2579		2579	



Model 2000-H25X-1P10-1P10 Injection System Manual



ITEM	PART NO.	QTY.	DESCRIPTION
1	102757	1	POWER FRAME, HD ALUM.
2	881046	2	SETSCREW, 1/4-20 x 1"
3	102225	2	PLUNGER, P10
4	881908	2	SEAL LIP
5			
6	102228	2	SEAL ADAPTER
7	101537	2	O-RING, AFLAS
8	101839	2	O-RING, VITON (OPTION)
9	102225	2	FLUID END, P10
10	882849	12	LOCK WASHER, #10 INTERNAL
11	881317	8	SCREW, #10-32 x 2"
12	102463	4	CHECK VALVE, AFLAS
13	102464	4	CHECK VALVE, VITON (OPTION)
14	101007	4	RETURN SPRING
15	101006	2	CROSSHEAD
16	101005	4	SLIDE BEARING
17	102758	1	STROKE ADJUSTMENT CAM
18	101637	1	CAM GUIDE / COVER, HD ALUM.
19	101637	2	SCREW, #10-32 x 1 1/2"
20	881128	4	SCREW, #10-32 x 1 1/2"
21	101601	2	STROKE ADJUSTMENT RODS
22	881301	4	SCREW, #10-32 x 1"
23	881770	4	SCREW, #10-32 x 2 1/2" (OPT)
24	101088	4	LOCK WASHER, #10 H.C.
25	882841	1*	CHECK VALVE, 5 PSI, AFLAS
26	101576	1*	CHECK VALVE, 5 PSI, VITON (OPT)
27	101088	1*	3/8 x 1/4 RMP TUBE ADAPT.
28	101088	1*	

* QUANTITY IS 2 WITH A 1P10-1P10 PUMP

DRAWING		LEVELS		VIEW	
INJECTOR		40, 90-93, 95-97, 100-107, 1		1	
NO. 136, 139-141, 143, 153,		208, 251			
NO.	REVISION	DATE	BY	APPROV	
X					
FROM SERIAL DATE		TO SERIAL DATE			
X		X		X	

TOLERANCES		ALL DIMENSIONS ARE IN INCHES UNLESS OTHERWISE SPECIFIED	
FRACTIONS	DECIMALS	ANGLES	DECIMALS
1/16	0.0312	1/2°	0.005
1/32	0.0156	1°	0.010
3/64	0.0078	5°	0.010
1/8	0.0312	10°	0.010
3/16	0.0625	15°	0.010
1/4	0.1250	30°	0.010
5/16	0.1875	45°	0.010
3/8	0.2500	60°	0.010
1/2	0.5000	90°	0.010
3/4	0.7500	120°	0.010
1	1.0000	180°	0.010

THIS PRINT IS CONFIDENTIAL		HAMMONDS TECHNICAL SERVICES, INC.	
ALL INFORMATION CONTAINED HEREIN IS UNCLASSIFIED		DATE 06/05/08	
BY 6150		REVISION -	
DRAWING TITLE		DRAWING NUMBER	
HAMMONDS 2P10 (1P10-1P10) PUMP		6150	
HEAVY DUTY			



HAMMONDS SUCTION CALIBRATION GAUGE

CALIBRATION INSTRUCTIONS

- 1) IN ORDER TO CALIBRATE, THE PUMP MUST BE PRIMED AND PURGED OF ALL AIR. THE 3-WAY VALVE MUST BE SET TO INJECT.
- 2) WITH SUPPLY VALVE OPEN, SLOWLY OPEN VENT VALVE. THIS WILL FILL CALIBRATION GAUGE. DO NOT OVERFILL. ONCE FULL, CLOSE VENT VALVE.
- 3) MAKE NOTE OF ADDITIVE LEVEL IN CALIBRATION GAUGE AND MAIN PRODUCT METER READING. BEGIN CALIBRATION BY FIRST CLOSING THE SUPPLY VALVE AND THEN OPENING THE VENT VALVE. START THE PRODUCT FLOW (SET FOR A SHORT TRIAL RUN).
- 4) AT THE END OF THE RUN, RECORD THE AMOUNT OF ADDITIVE THAT WAS DRAWN FROM THE CALIBRATION GAUGE. RECORD THE AMOUNT OF FUEL PUMPED. CLOSE THE VENT VALVE. OPEN THE SUPPLY VALVE.
- 5) DIVIDE THE AMOUNT OF ADDITIVE USED BY THE VOLUME OF FUEL THAT WAS PUMPED GIVING YOU PPM.
- 6) INCREASE OR DECREASE PERCENTAGE OF STROKE ON DIAPHRAGM PUMP TO OBTAIN DESIRED INJECTION RATIO.

EXAMPLE: (METRIC)
 ADDITIVE INJECTED = 500 ML
 FUEL DELIVERED = 1785 LITERS

$$500 = .280$$

$$\frac{280}{1785} = .000280 \text{ (280 MILLIONTHS)}$$

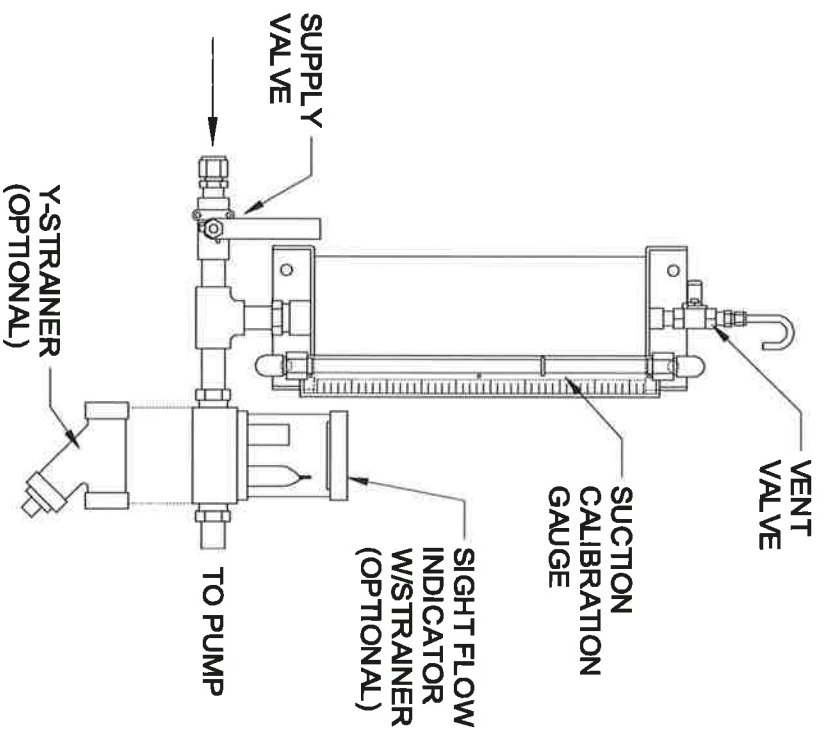
$$1000 \text{ OR } 280 \text{ PPM (PARTS PER MILLION)}$$

EXAMPLE: (US)
 ADDITIVE INJECTED = 11.5 oz
 FUEL DELIVERED = 350 GALLONS

$$11.5 = .0328$$

$$\frac{.0328}{126 \text{ oz/gal}} = .000256 \text{ (256 MILLIONTHS)}$$

$$\text{OR } 256 \text{ PPM (PARTS PER MILLION)}$$



TOL. PRECISION		ALL DIMENSIONS ARE IN INCHES UNLESS OTHERWISE SPECIFIED	
.XXX = 1/4-.005		.XXX = 1/4-.005	
.XX = 1/4-.015		.XX = 1/4-.015	
.X = 1/4-.030		.X = 1/4-.030	
FRACTION = 1/4-1/16		CONGRUITY: .005 T.I.R.	
FINISH: 125		REMOVE SPURS AND BREAK EDGES .005 MIN.	
THIS PART IS IDENTICAL TO PART NO. 1891A		HAMMONDS TECHNICAL SERVICES, INC.	
SCALE: NTS		DATE: 12/20/07	
DRAWING TITLE: SUCTION CALIBRATION GAUGE		DRAWN BY: SS	
SCG412SS & SCG612SS		REVISED: -	
DATE USED: 1891A			