

**OPERATING INSTRUCTIONS
AND
MAINTENANCE MANUAL
FOR**

**HAMMONDS MODEL HC800-3
3-ADDITIVE CART
(PUMP MODELS VARY)**

**FLUID POWERED
ADDITIVE INJECTOR CART**

Manufactured by:



HAMMONDS TECHNICAL SERVICES, INC.

6807 West Little York Rd.
Houston, Texas 77040

Phone: 281-999-2900

Fax: 281-847-1857

www.hammondscos.com

October 2017

Hammonds Model HC800-3 Additive Cart

TABLE OF CONTENTS

Special Notice to Users	3
Installation and Preparation for Startup	3-4
Preparation for Calibration and Startup	4
Calibration and Startup	5-7
Additive Chart	8
Trouble Shooting the System	8-9
Preventive Maintenance	9-10
Preventive Maintenance Schedule	10
Desiccant Dryer Instructions	11

Attachments:

- HC800 Cart System Layout
- Hydraulic Schematic
- Model 800 Driver
- Gear Reducer
- Injector Pumps
- Diaphragm Replacement Instructions
- Calibration Gauge Parts
- Calibration Gauge Instructions
- Tank Assembly
- Grounding Reel Instructions
- Fueling Nozzle Instructions

Hammonds Model HC800-3 Additive Cart

SPECIAL NOTICE TO USERS PLEASE READ CAREFULLY BEFORE OPERATING EQUIPMENT

This additive injector system is designed to give consistent dependable performance when operated and maintained according to manufacturer's recommendations. However, being a mechanical device, it is subject to failure from improper installation, wear, human error and operating environments beyond the control of the system. Because of this fact, it is the responsibility of the operator to make certain that:

- A. The system is installed properly.
- B. The system is being operated properly.
- C. The system is actually running during product transfer.
- D. The system is checked after the transfer operation to make certain the proper amount of additive was injected during the operation.

The performing of these checks by the operator eliminates the possibility of product not having the proper additive ratio as required. Therefore, since the manufacturer cannot be present during each transfer operation, the responsibility for checking the performance of the system is that of the operator. Should there be any questions whatsoever, the operator should consult the distributor from whom the unit was purchased.

Do Not Take Chances.....Do Not Guess.....Be Absolutely Certain That The System Is Installed And Working As It Should.

The user/operator carries the final responsibility to make certain the system is operating properly.

INSTALLATION AND PREPARATION FOR STARTUP

In most cases, the Hammonds fluid powered injector is shipped complete and ready to operate. The system should include appropriate fittings to suit your specific application. Flow direction is marked on additive pumps and check valves.

CAUTION

Do Not Attempt To Use This Device Without Understanding And Following Proper Safety Precautions Regarding System Grounding, Fire Safety, And Special Handling For Potentially Dangerous Additives.

Consult your Engineering Department for their specific instructions. Make certain all

personnel involved with this system are thoroughly familiar with safe operating practices.

If your system has been purchased "bare," consult your equipment distributor for help in selecting hoses, fittings and other related accessories. Selection of materials compatibility, location of unit within the system, effect of the unit on the system and injection point of the additive are also factors that should be discussed by factory authorized personnel.

If no factory-authorized distributor is available, consult the factory directly for assistance.

Hammonds Model HC800-3 Additive Cart

POINT OF INJECTION OF ADDITIVE

Some additives may adversely affect other components in the product handling systems, for example seals in meters, valve seals, aluminum and filter elements to name a few. The Hammonds injector systems do an excellent job of mixing the additive in the product, and does not inject in large slugs. Because of this superior mixing and very small concentration of additive in any one point, many customers feel that this is not a problem. **SOME DO**, and therefore, should use their own judgment as to the effect of these additives.

Hammonds Technical Services, Inc. Can Only Advise You Of The Possible Hazards.

It is up to the owner to decide his preference as to location of the additive injection point. It can be placed at any point in the system. The 800 comes with the injection point directly ahead of the fluid motor for good blending. It can be located elsewhere very easily. If the injection point is moved from the body of the injector, the 1/4" tapped hole must be plugged, the inlet check valve moved to the new location, and the injection tubing rerouted to the new location. An injection check valve must always be used regardless of location.

PREPARATION FOR CALIBRATION AND STARTUP

Before Attempting To Start The System Or Make Calibrations, Please Read The Following Information Carefully.

During startup and calibration, you will be bleeding the system of air and checking for possible leaks throughout the system. Provisions should be made for collection or clean-up of spilled fluid. Attempts should be made to minimize losses during these procedures. If the additive being handled is flammable, fire safety precautions should be taken.

A WORD ABOUT ADDITIVES

Most additives being used in fuels today have at least some degree of toxicity. Many are very dangerous. Extreme caution should be taken in handling additives. Remember, the additive is placed under pressure when being injected into the line. Be careful; wear protective clothing including eye protection. Be sure you have facilities to wash off any additive that may

come in contact with your skin. Read all additive manufacturers safety precautions and Material Safety Data Sheets, following them to the letter.

HERE IS WHAT IS NEEDED:

- Appropriate safety protection equipment.
 - Eye protection in the form of safety goggles.
 - A marked graduated glass bottle that is marked in either cc's or ounces. (At least 16 oz.)
 - A stop watch.
 - A means of determining the flow rate of the main system.
 - A small pocket calculator is helpful.
 - A clipboard is helpful with pad of paper.
- AT LEAST ONE AND PREFERABLY TWO HELPERS**

REMEMBER: Any plumbing system varies with temperature and fluid being pumped. The system also changes as parts of the pump wear.

Hammonds Model HC800-3 Additive Cart

CALIBRATION AND STARTUP

IF YOUR INJECTOR SYSTEM IS EQUIPED WITH CALIBRATION GAUGES, FOLLOW THE INSTRUCTIONS FOR THEIR USE IN THE BACK OF THIS MANUAL.

PROPER ADDITIVE INJECTION RATIOS

Although volumetric calibration at atmospheric pressure will bring you within an acceptable range of additive injection, the only true evaluation for proper ratio is the ASTM D-5006 evaluation for fuel system ice inhibitor (FSII). Do not depend on volumetric calibration to ensure on-spec performance because line pressures can vary and additive injector parts wear over time. Contact Hammonds Fuel Additives, Inc. for supply of quality fuel system ice inhibitor and fuel testing procedures.

Please Follow These Steps In Their Given Order. Read Them Over Carefully Before Starting, Then Follow Them To The Letter. If There is Any Part Of The Procedure That Is Not Clear, Consult Your Local Distributor Or The Factory Directly.

1. Make certain the additive tank is at least $\frac{1}{4}$ full of the proper additive.
2. Open the suction valve between the tank and the pump. This valve should be located at any point between the additive tank and the injector.
3. All systems are calibrated at the factory to customer specified requirements. So if adjustments are required, they should only

be minor. If this is the case, go directly to step 6.

4. If you are starting from scratch in the calibration and adjustment, loosen the stroke adjustment locking screws located on the bottom of the pump body directly under the stroke adjustment knob. This will allow the stroke adjustment to be moved.

5. Adjust the stroke adjustment knobs located on the pump face to approximately 50%. **CAUTION:** Do not turn these adjustments with excessive force. If they are difficult to adjust, simply rotate the main rotor shaft, by producing flow in main product line. Lock the stroke adjustment locking screws down firmly.

6. Set the calibration valve (3-way valve) in the "calibrate or bleed position." This is done by making certain that the handle on the valve is positioned so that additive will exit through the short open tube.

7. Make certain all product connections going to and from the system are in their proper, locked position to ensure safe, leakproof flow of product through the fluid motor. Double check the flow direction arrows located on the fluid motor housing, and check valves before and after the pump to ensure that the system is installed properly.

8. At this point, consider the information you will have to gather during the next few steps of the calibration process.

A. What will the flow rate through the unit be?

Hammonds Model HC800-3 Additive Cart

B. What is the length of time that the calibration will cover?

C. What is the amount of additive in ounces or cc's that you will need to collect based on the duration of the calibration.

You Should Have the Answer To All Of These Questions Before Your First Trial Run.

9. Before starting the main product flow through the system, make certain everyone understands that you will run the system for, let's say, one (1) minute. Even shorter runs are fine, especially if you are running at high flow rates.

10. Place the measured graduate under the calibration tube. Put on your eye protection.

11. At the command of the time keeper, or that person watching the flow meter, start the main product pumps.

12. Give the system a few seconds to gather momentum and flow through the fluid motor. Notice if the additive injector system is turning. The bearing on the shaft under the stroke adjustment knob cover should be spinning.

13. If the pump is being started up for the first time, it will take a few seconds to prime itself and begin discharging fluid from the calibration tube. Is your eye protection on? If not, **PUT IT ON NOW!**

14. As soon as the pump begins discharging a clear, air free stream of fluid from the calibration tube, you are ready to begin your calibration. At this point, the system is primed.

***Hammonds recommends using the Pressure Simulating Calibration Device, an optional accessory item, to duplicate system pressure during calibration.**

15. You will now prepare to make your first actual calibration run. Empty your collected additive back into the tank, putting the bottle back under the calibration tube. Notice the setting on the main product meter, set your stop watch at zero.

16. When ready, start the system again. Stop it at the decided time interval or meter reading. Calculate the amount of product that traveled through the system. Measure the amount of additive gathered, and record the amount of elapsed time.

17. It will be at this time that you will have to calculate how much additive you should have collected for the amount of fuel that the system pumped. This, of course, depends upon the ratio that is required. The following example is the easiest way of explaining the procedure without getting too complicated. It is not the only way...use it if you like.

Example condition: Amount of product pumped: 500 gallons

Ratio of additive desired: 250 PPM (Parts per million)

It is assumed that the operator will know how much product is being pumped through the system in a given length of time. If, for example, you have a meter that registers the flow in gallons, you simply record the gallons at the beginning of the timed run, and then again at the end of the run. If you run for one (1) minute, you simply subtract the beginning number on the meter from the number registered after

Hammonds Model HC800-3 Additive Cart

the run. This will give you the gallons per minute (GPM). Having to make this calculation is the only reason for timing the run. You can accomplish the same result by just watching the meter and stopping the system when you have totaled the desired amount of gallons through the system. In any case, you must know the amount of product passing through the system before calibration can begin.

First, change the gallons pumped into ounces by multiplying total gallons (in our example 500) by 128 (128 oz. to a gallon). The answer is 64,000 ounces.

Second, divide by 1,000,000. The answer is .06. Since you are dealing in 1/1,000,000 (one part per million) of the total for your ratio, you must find out what 1/1,000,000 of the 500 gallons is, .06 ounces is 1/1,000,000th (one part per million) of 500 gallons.

Third, multiply the .06 x 250 (for 250 PPM ratio). The answer is 15 ounces.

So, you should collect 15 ounces of additive for every 500 gallons of fuel pumped.

These are all large, round numbers. You may, for example, only be running at 100 GPM, not 500. Use the same procedure; just change the numbers to fit your application.

No two systems will ever perform exactly the same. For this reason, the procedures given for calibration are general in nature. Obviously, it is impossible to provide a graph or table that would be absolutely accurate in every case. With that in mind, all tables and graphs should be used as general guidelines. Remember, the calculated, timed and measured output that you gather is absolute. Trust your figures and your calculations.

NORMAL OPERATION

Following initial start up and calibration, the system requires very little attention other than making certain that additive tank levels are maintained. Operators will quickly become accustomed to the performance of the system by observing the Calibration Gauge glass or Sight Flow Indicator. On-spec injection will cause a certain response in the indicators, and with some practice, operators will be able to observe the system at a glance. *This does not mean that system calibration should not be periodically checked!* However, during a busy workload, these visual checks will provide assurance to the operator that the system is functioning.

Assuming the system remains set up and operating at least intermittently, calibration is required perhaps every 1 – 3 months. Good record keeping of additive inventory and use levels compared to fuel handled can give a good indication that additive is on specification. Test such as the refractometer for FSII content should be the final test to verify additive injection ratios.

Hammonds Model HC800-3 Additive Cart

SAMPLE ADDITIVE CHART

GALLONS	135 PPM	270 PPM	1000 PPM
100	1.7 OZ.	3.4 OZ.	12.8 OZ.
200	3.4 OZ.	6.9 OZ.	25.6 OZ.
400	6.9 OZ.	13.8 OZ.	51.2 OZ.
500	8.6 OZ.	17.2 OZ.	64.0 OZ.
700	12.0 OZ.	24.0 OZ.	89.6 OZ.
1000	17.2 OZ.	34.5 OZ.	128.0 OZ.

TROUBLESHOOTING THE SYSTEM

The following conditions are given as a means of troubleshooting the system. Each condition lists a number of possible causes. In most cases, trouble can be solved by the use of this section. Please read it carefully before attempting repairs or making changes in the system.

FLUID MOTOR IS NOT TURNING

- A. Insufficient flow to turn the motor. A minimum flow of about 75 GPM is needed to start the system.
- B. A rag or some other object is jammed in the line preventing the fluid motor from turning.
- C. A diverter valve is blocked downstream of the system, blocking the fuel flow through the system.
- D. A valve is closed upstream of the fluid motor starving the product flow.
- E. If the unit has been recently serviced internally, or it is new, the rotor might be installed backwards. Consult the factory before disassembly.

INJECTOR IS TURNING AND PUMP IS RUNNING, BUT WITH NO OUTPUT

- A. Pump is air-locked. In some cases where there is a very long line running from the injector head and the point of injection into the system, there is sufficient air volume to cause the pump to act as a compressor. It is not able to open the valves throughout the system and therefore, cannot pull a suction of fluid to the pump. Loosen the connection at the injection point check valve and allow it to remain open until the pump begins pumping. This is rare, but can happen in some cases of unusual installations.
- B. One or more of the suction or discharge check valves are not working. While the pump is running, tap on the side of the valves, one at a time. This will generally jar them loose. The poppet/seal is very small, and will sometimes become stuck. After the valve is loosened and has a supply of fluid, usually it will not stick again.
- C. The pump is not getting additive. Check the valve between the pump and the tank. Check all connections in the line between the pump and the tank.
- D. The vent on the tank is not open causing the pump to pull a vacuum. Open the vent. Check to see if the cap has been removed from the dryer cartridge, if so equipped.

Hammonds Model HC800-3 Additive Cart

- E. The pump stroke is set at zero. Check to see if the locking screws have been left loose, allowing the adjustment knobs to rotate to zero percent (0%) of stroke.
- F. The additive tank is empty...don't laugh, it happens.

THE INJECTOR IS OPERATING BUT WITH REDUCED OUTPUT

- A. Leaking suction line or trash in discharge check valve.
- B. Air leak in suction side of system.
- C. Defective tubing or piping on suction side.
- D. Leaks in threaded connections - suction side.

E. If so equipped, a relief valve on injector may be bleeding part of the output back to suction. Relief valve may not be working, or retaining nut may have vibrated loose causing valve to fail entirely, bleeding output back to suction.

F. Injector diaphragm may be pulled out in back causing injector to pump in forward portion of stroke only. This will not create a visible leak but will reduce output by 50%. It usually happens after many hours of operation.

G. Fluid motor vanes are badly worn. This would only be probable after a very high number of hours of operation.

PREVENTIVE MAINTENANCE

1. Make certain to use only clean, fresh additive that has been stored in a sealed container. Most additives are moisture sensitive. Some will form heavy crystals if allowed to accumulate moisture. These crystals will stop the pump in very short order, if not cause calibration to be changed due to clogging of the valves and other parts.
2. Check the additive filter screen at least every six months. More often if there is an indication of possible contamination.
3. Check the system for leaks at every use. This is an extremely important safety procedure, since some additives are flammable, caustic and corrosive.
4. Check for leaks from the seal that is located at the exit point of the injector output shaft in the side plate housing. This should be done at each operation. Leakage at this point usually indicates that

the mechanical seal inside the rotor housing is leaking. A leak here will be fuel, and is not only dangerous from a fire standpoint, but will quickly ruin the bearings on the rotor shaft, since all lubricant will be washed away.

5. Check the fittings for leakage around the Calibration Gauge or Sight Flow Indicator, if one is used on the pump. Check this fitting each time the filter is changed or cleaned. Make certain there are no leaks in the suction line. A very small leak will either change the operation of the pump or prevent it from operating all together.

6. Visually check around the pump head and make certain there is no leaking of additive around the fluid ends. If there is, check the tightness of the head bolts. (40 inch pounds each)

7. Check the grease around the eccentric drive bearing in the pump every 6 months. Use a good quality white lithium spray lubricant.

Hammonds Model HC800-3 Additive Cart

8. It is recommended that the injector diaphragm or plunger o-ring be changed at least every 12 months. Every 6 months under extreme operating conditions. Doing so will prevent unexpected failures and unscheduled downtime.

Hammonds injectors are very dependable. If installed properly and sized appropriately to the application, they require very little maintenance. Remember; keep the additive clean, and the suction strainer clean. If you have problems with the pump working, it is usually in the suction side of

the system (between the injection pump and the additive tank). Suction lines and fittings are notorious for leaking just enough to prevent the system from working. Always check to ensure optimum suction conditions should problems occur.

Remember, a leak in the suction allows air from the outside to be introduced into the system. It does not always mean a visible leak of additive. If the pump loses its prime or output is erratic, chances are good that there are problems in the suction side. Otherwise, if it is working...leave it alone!!!!

PREVENTATIVE MAINTENANCE SCHEDULE

NOTE: It is important to read the previous pages on preventative maintenance. These intervals are general, and may vary according to individual applications and severity of service.

SERVICE FUNCTION	0-4 HRS DAILY	5-8 HRS DAILY	8+HRS DAILY
Check gear oil level (if equipped with worm gear reducer)	Monthly	Monthly	Monthly
Check additive filter screen	Monthly	Monthly	Monthly
Check system for additive/fuel leaks	Daily	Daily	Daily
Inspect diaphragms/plunger seals	12 Months	6 Months	3 Months
Replace diaphragms/plunger seals	12 Months	As needed	As needed
Check eccentric bearing grease	6 Months	3 Months	Monthly
Check stroke adjustment parts for looseness	Monthly	Monthly	Monthly
Replace stroke adjustment parts	24 Months	As needed	As needed
Disassemble and inspect turbine housing and internal parts	24 Months	12 Months	8 Months
Grease bearings	12 Months	6 Months	3 Months

Hammonds Model HC800-3 Additive Cart

DESICCANT DRYER

Your Hammonds Additive Injector Cart includes 1 or more additive tanks. These tanks may come equipped with a desiccant dryer cartridge. These dryers come in several different sizes.

Most systems are equipped with the standard 3/4" cartridge. This unit is attached to the tank via a short length of black rubber hose. The cartridge has a housing constructed of a clear poly material and is filled with a blue colored desiccant crystal. All these units are shipped from the factory with a small yellow cap on the each end of the cartridge.

Some systems may come equipped with a large canister measuring approximately 2" diameter and 10" in length. These units perform the same function, just on a larger scale. Due to their greater capacity, they last longer between service. These units are sealed from the factory by a small, plastic plug which is located either on the bottom or one side of the canister.

The purpose of all desiccant dryers is simply to remove moisture from the air as the system breathes. All tanks or portable sources of additive supply must be vented to atmosphere in order for the injector to operate. If moisture in this venting air is not removed, some additives are either ruined or seriously damaged. Fuel system icing inhibitor (FSII), for example, is designed to seek out water in a fluid. So, when enough moisture is absorbed into the container, the FSII is diluted and at some point will be ruined. Biobor® JF, an anti-fungal material, will form crystals in the presence of moisture and not only perform unsatisfactorily as an additive, but will stop up pumps and lines as well.

The following instructions apply to all desiccant cartridges:

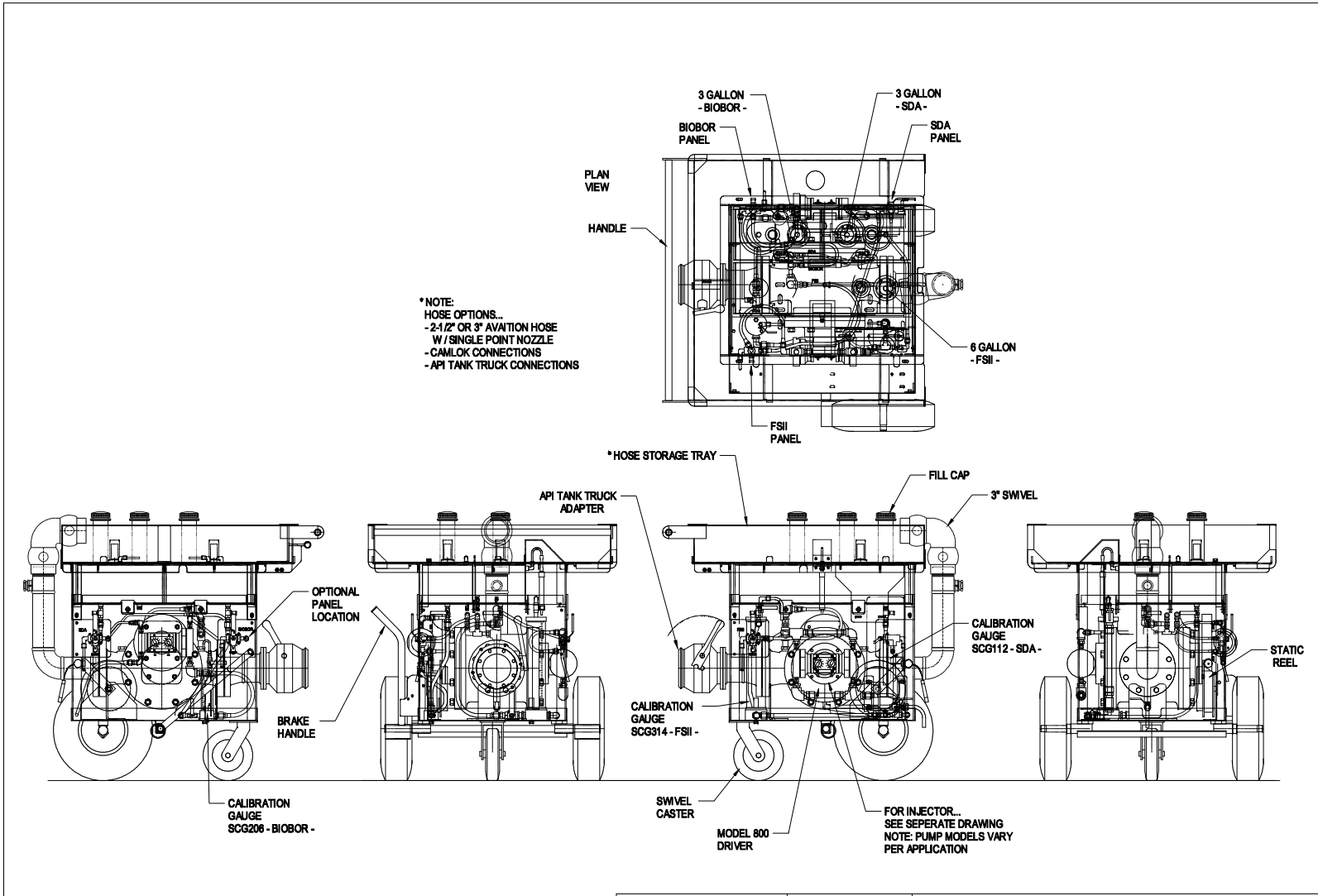
A. Remove the caps or plugs when the system is placed into service.

B. Observe the color of the desiccant. The original color is blue. As moisture is absorbed, the color will change to pink. When the cartridge is completely pink, it should either have its contents removed, dried and replaced, or the entire unit replaced.

C. NOTE: The contents can be removed from plastic container, placed on a pan and baked at 400°F in a conventional oven until the moisture has been removed. When the color blue returns, the cooled material may be reinstalled into plastic containers and is again ready for service.

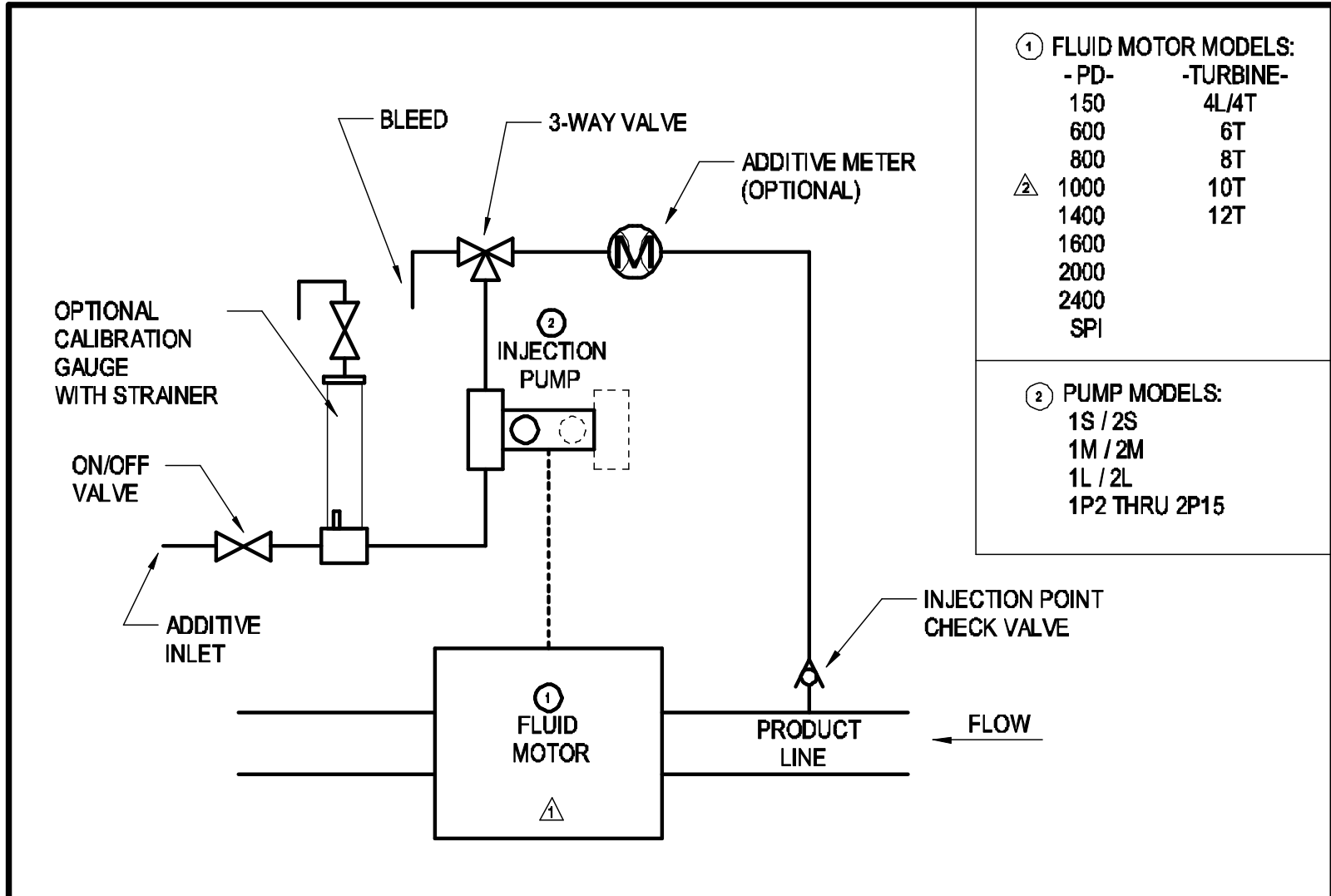
D. Color change and cartridge life is totally dependent on humidity. The more moist the air, the shorter the life. Keeping it dry is especially important if additive is not consumed rapidly. Check daily and service as needed.

Hammonds Model HC800-3 Additive Cart



<p>*TOLERANCES* ALL DIMENSIONS ARE IN INCHES UNLESS OTHERWISE SPECIFIED.</p>				<p>THIS PRINT IS CONFIDENTIAL AND IS THE PROPERTY OF HAMMONDS TECHNICAL SERVICES</p>		<p>HAMMONDS TECHNICAL SERVICES, INC.</p>											
<p>*TOL. DECIMALS: .XXX = +/- .005 .XX = +/- .015 .X = +/- .030 FRAC. = +/- 1/16</p>				<p>*TOL. ANGLES: +/- .5 DEGREES</p>		<p>SCALE: NTS APPROVED PART NUMBER</p>											
<p>*CONCENTRICITY: .005 T.I.R.</p>				<p>*REMOVE BURRS AND BREAK EDGES .005 MIN.</p>		<p>DATE: 08/18/17 DRAWN BY: SS</p>											
<p>REVISIONS:</p> <table border="1"> <thead> <tr> <th>NO.</th> <th>REVISION</th> <th>DATE</th> <th>BY</th> <th>APPROVED</th> </tr> </thead> <tbody> <tr> <td>1</td> <td>INITIAL RELEASE</td> <td>08/18/17</td> <td>SS</td> <td>X</td> </tr> </tbody> </table>				NO.	REVISION	DATE	BY	APPROVED	1	INITIAL RELEASE	08/18/17	SS	X	<p>DRAWING TITLE: HAMMONDS MODEL HC800 CART</p>		<p>REVISED</p>	
NO.	REVISION	DATE	BY	APPROVED													
1	INITIAL RELEASE	08/18/17	SS	X													
<p>DRAWING: HCCART-1 LEVELS: 1, 10, 11, 13-20, 22 VIEW: 1</p>				<p>FROM SER# X DATE X TO SER# X DATE X</p>		<p>DRAWING NUMBER: 7632</p>											
<p>3 ADDITIVE</p>				<p>DRAWING NUMBER: 7632</p>		<p>DRAWING NUMBER: 7632</p>											

Hammonds Model HC800-3 Additive Cart



- ① FLUID MOTOR MODELS:
- | | |
|--------|-----------|
| - PD- | -TURBINE- |
| 150 | 4L/4T |
| 600 | 6T |
| 800 | 8T |
| △ 1000 | 10T |
| 1400 | 12T |
| 1600 | |
| 2000 | |
| 2400 | |
| SPI | |

- ② PUMP MODELS:
- 1S / 2S
 - 1M / 2M
 - 1L / 2L
 - 1P2 THRU 2P15

△	ADDED MODEL 1000	09/15/05	SS
△	ADDED FLUID MOTOR	10/11/01	SS
NO.	REVISION	DATE	BY

DRAWING	LEVELS		VIEW
1707	5,6		1
FROM SER#	DATE	TO SER#	DATE
X	X	X	X

TOLERANCES
ALL DIMENSIONS ARE IN INCHES UNLESS OTHERWISE SPECIFIED.

*TOL. DECIMALS:
.XXX = +/- .005
.XX = +/- .015
.X = +/- .030
FRAC. = +/- 1/16

*TOL. ANGLES:
+/- .5 DEGREES

*CONCENTRICITY:
.005 T. I. R.

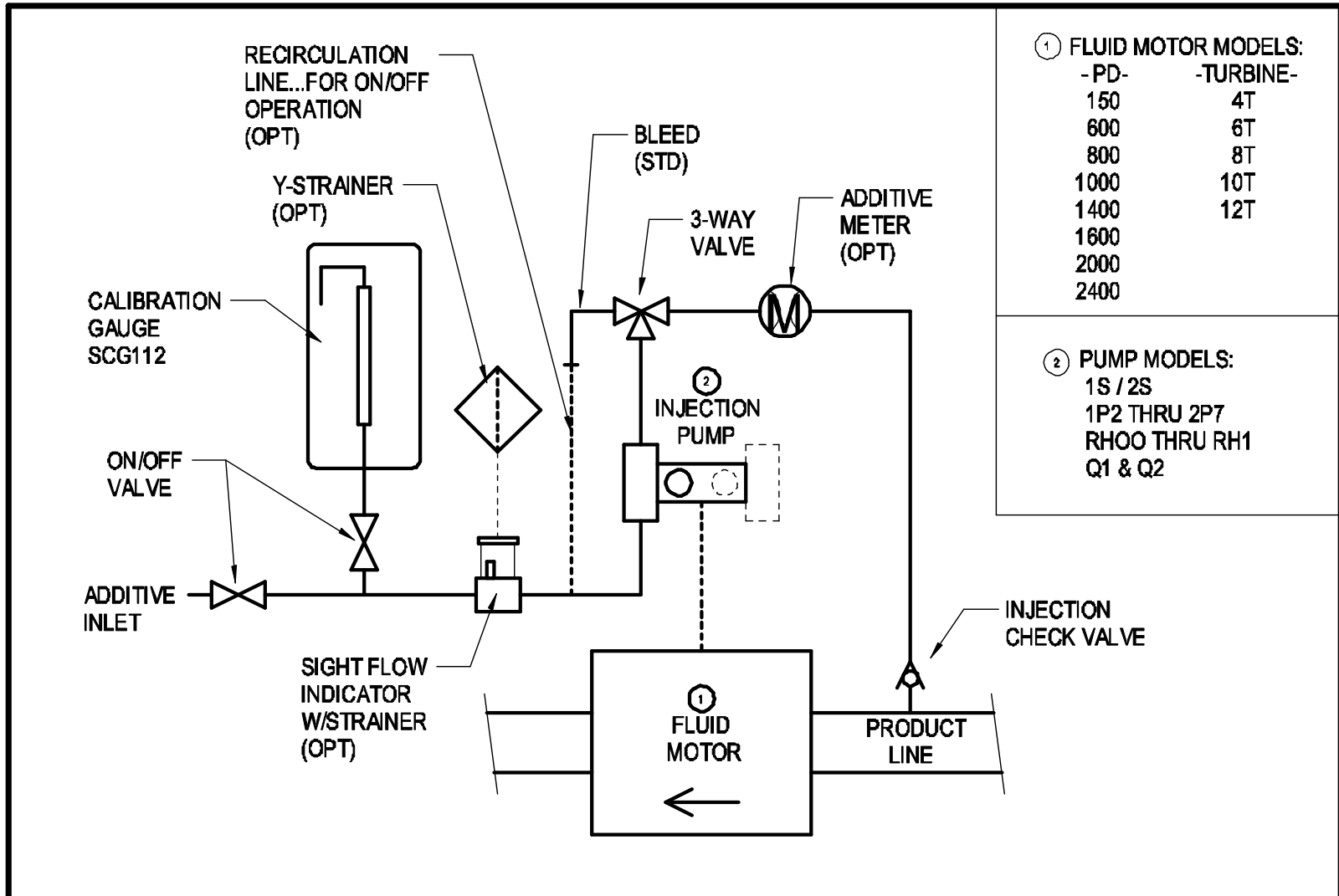
*REMOVE BURRS AND BREAK EDGES .005 MIN.

THIS PRINT IS CONFIDENTIAL AND IS THE PROPERTY OF HAMMONDS TECHNICAL SERVICES

THIS PRINT SHALL NOT BE USED, COPIED OR REPRODUCED IN WHOLE OR IN PART OR SHALL THE CONTENTS BE REVEALED TO ANY NUMBER TO WHOME UNLESS WITHIN PERMISSION IS GRANTED FROM HAMMONDS TECHNICAL SERVICES.

HAMMONDS TECHNICAL SERVICES, INC.			
SCALE	NTS	APPROVED BY:	DRAWN BY SS
DATE	01/30/08		REVISED 09/15/05
DRAWING TITLE			
HYDRAULIC SCHEMATIC			
FOR PUMP MODELS 1S-2P15			DRAWING NUMBER 1707-1

Hammonds Model HC800-3 Additive Cart

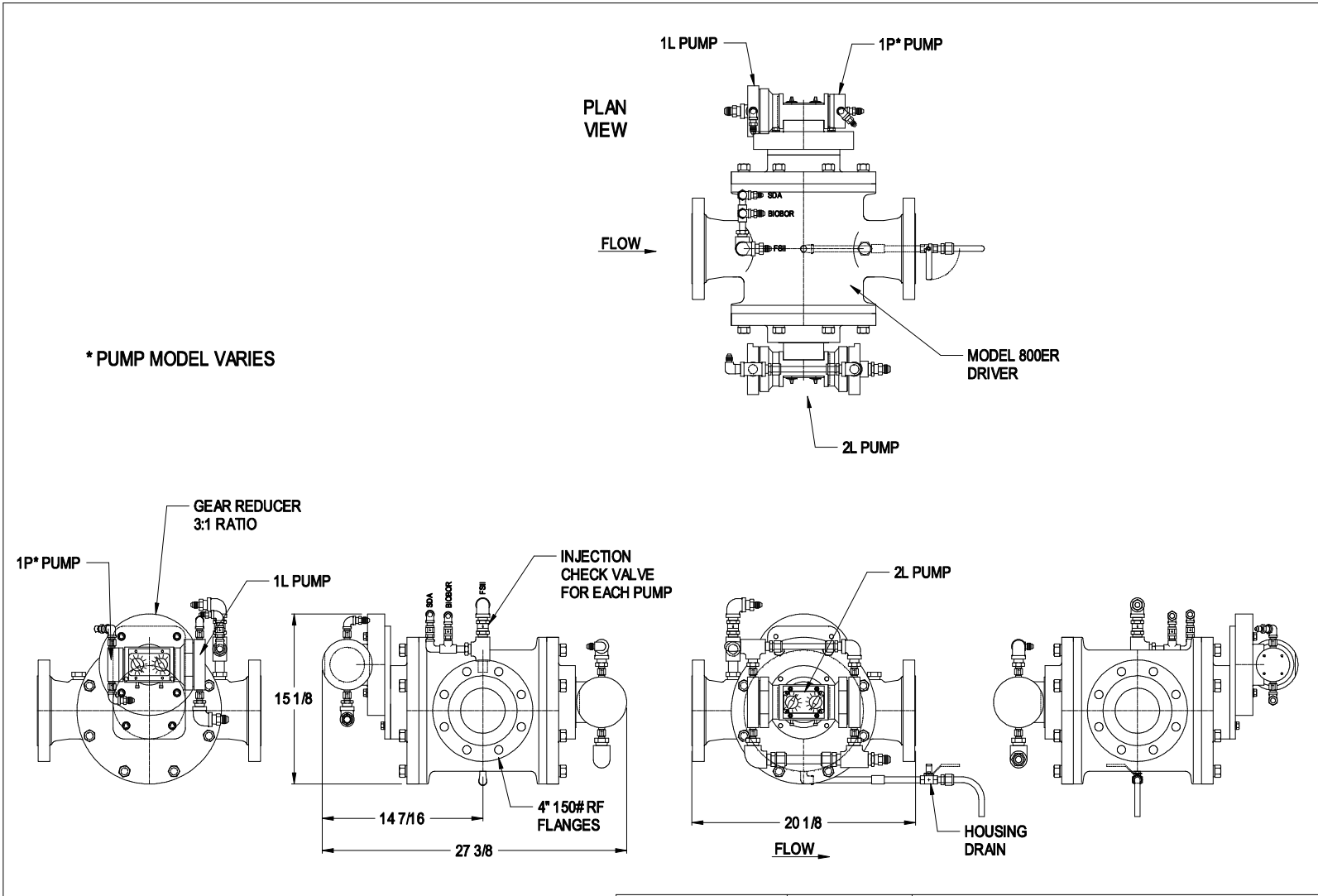


- ① FLUID MOTOR MODELS:
- | | |
|------|-----------|
| -PD- | -TURBINE- |
| 150 | 4T |
| 600 | 6T |
| 800 | 8T |
| 1000 | 10T |
| 1400 | 12T |
| 1600 | |
| 2000 | |
| 2400 | |

- ② PUMP MODELS:
- 1S / 2S
 - 1P2 THRU 2P7
 - RH00 THRU RH1
 - Q1 & Q2

<p>*TOLERANCES* ALL DIMENSIONS ARE IN INCHES UNLESS OTHERWISE SPECIFIED.</p>					<p>THIS PRINT IS CONFIDENTIAL AND IS THE PROPERTY OF HAMMONDS TECHNICAL SERVICES</p>		<p>HAMMONDS TECHNICAL SERVICES, INC.</p>			
<p>*TOL. DECIMALS: .XXX= +/- .005 .XX= +/- .015 .X= +/- .030 FRAC.= +/- 1/16</p>		<p>*TOL. ANGLES: +/- .5 DEGREES</p>		<p>*CONCENTRICITY: .005 T.I.R.</p>		<p>SCALE: NTS</p>		<p>APPROVED BY: _____</p>		
<p>DATE: 07/18/98</p>		<p>DATE: _____</p>		<p>DATE: _____</p>		<p>DATE: _____</p>		<p>DRAWN BY: SS</p>		
<p>DRAWING NO. 1707</p>					<p>LEVELS 10,11</p>		<p>VIEW I</p>		<p>DRAWING TITLE: HYDRAULIC SCHEMATIC</p> <p>FOR SCG112 CAL GAUGE DRAWING NUMBER 1707-2</p>	
<p>FROM SER# X</p>		<p>DATE X</p>		<p>TO SER# X</p>		<p>DATE X</p>				
<p>INITIAL RELEASE: 07/16/98 BY: SS APPV: X</p>					<p>REVISION: _____</p>		<p>DATE: _____</p>		<p>BY: _____</p>	

Hammonds Model HC800-3 Additive Cart



* PUMP MODEL VARIES

PLAN VIEW

FLOW →

1L PUMP

1P* PUMP

MODEL 800ER DRIVER

2L PUMP

1P* PUMP

GEAR REDUCER 3:1 RATIO

15 1/8

1L PUMP

INJECTION CHECK VALVE FOR EACH PUMP

14 7/16

4\"/>

27 3/8

2L PUMP

20 1/8

FLOW →

HOUSING DRAIN

NO.	INITIAL RELEASE	08/18/17	SS	X
NO.	REVISION	DATE	BY	APPVD

DRAWING	LEVELS	VIEW	
HCCART-1	33,34	I	
FROM SER#	DATE	TO SER#	DATE
X	X	X	X

TOLERANCES
ALL DIMENSIONS ARE IN INCHES UNLESS OTHERWISE SPECIFIED.

*TOL. DECIMALS:
.XXX = +/- .005
.XX = +/- .015
.X = +/- .030
FRAC. = +/- 1/16

*TOL. ANGLES:
+/- .5 DEGREES

*CONCENTRICITY:
.005 T.I.R.

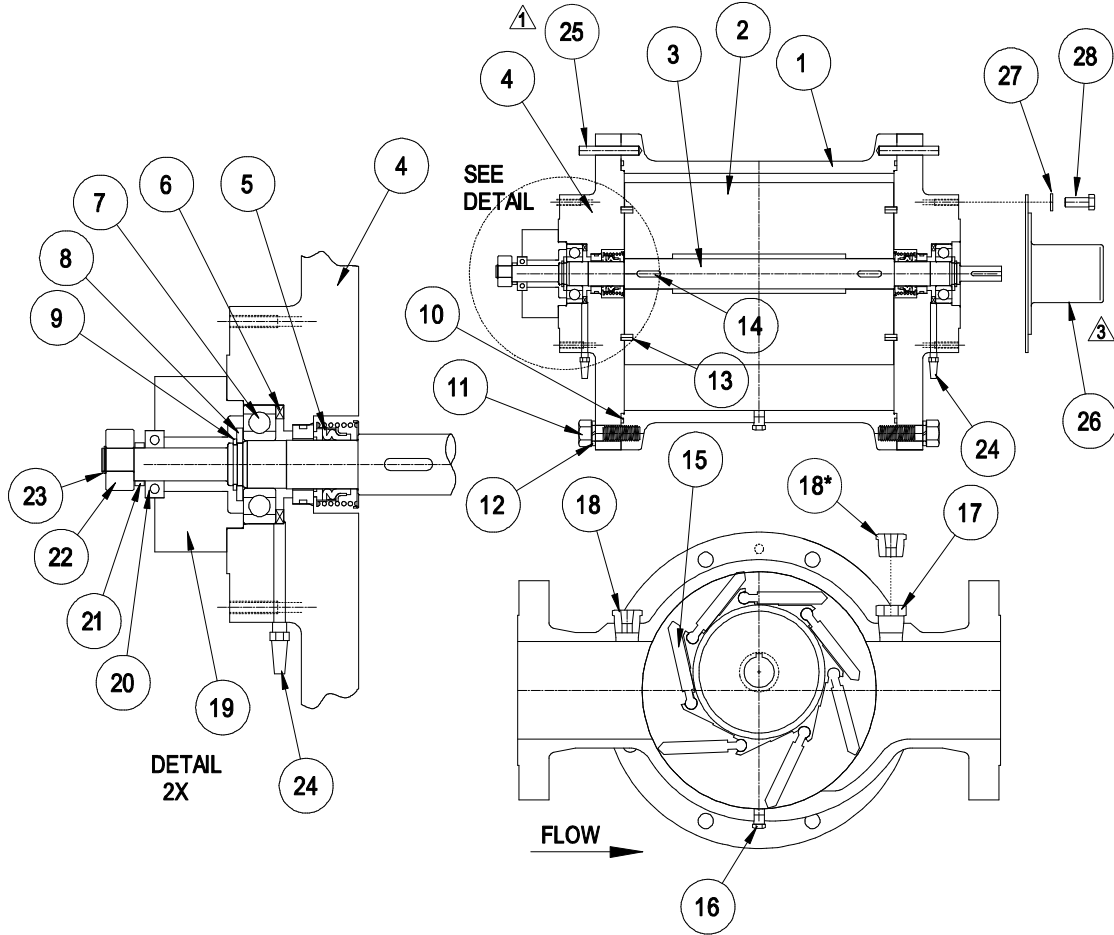
SURFACE FINISH 125
*REMOVE BURRS AND BREAK EDGES .005 MIN.

THIS PRINT IS CONFIDENTIAL AND IS THE PROPERTY OF HAMMONDS TECHNICAL SERVICES

THIS PRINT SHALL NOT BE USED, COPIED OR REPRODUCED IN WHOLE OR IN PART NOR SHALL THE CONTENTS BE REVEALED IN ANY MANNER TO ANYONE UNLESS WRITTEN PERMISSION IS OBTAINED FROM HAMMONDS TECHNICAL SERVICES.

HAMMONDS TECHNICAL SERVICES, INC.			
SCALE: NTS	APPROVED PART NUMBER	DRAWN BY: SS	
DATE: 08/18/17	.	REVISED .	
DRAWING TITLE: MODEL 800ER-2L-1L-1P*			
FOR HC800 3 ADDITIVE CART			DRAWING NUMBER: 7632-1

Hammonds Model HC800-3 Additive Cart



ITEM	PART NO.	QTY.	DESCRIPTION
1	184038	1	HOUSING, ALUMINUM
2	184186	1	ROTOR, 7 VANE
3	184081	1	SHAFT, ER (SINGLE ECC.)
4	184093	2	END PLATE
5	141036	2	MECHANICAL SEAL, STD.
	141023	2	MECHANICAL SEAL, HP (OPT)
6	103383	2	WAVE SPRING WASHER
7	881623	2	BEARING
8	184004	2	THRUST WASHER
9	103381	2	SNAP RING
10	103409	2	O-RING, VITON
11	881621	16	BOLT, 5/8-11 x 2"
12	882078	16	LOCK WASHER, 5/8"
13	184167	2	WEAR RING
14	184081-01	2	KEY, 1/4" SQ. x 1"
15	184011	7	VANE, TEFLON
16	151005	1	1/4" PIPE PLUG
17*	271249	1	3/4" PIPE PLUG
18*	271113	1	3/4 x 1/4 RED. BUSHING
19	184037	1	BEARING CAP
20	881882	1	BEARING
21	881999	1	SPACER
22	881157	1	H.D. DRIVE BEARING
23	101045	1	SNAP RING
24	101749	2	1/8" FILTER (OPTIONAL)
25	882215	2	PIN, DOWEL
26	882125	1	SHAFT COVER (OPT)
27	881083	4	3/8" LOCKWASHER (OPT)
28	881084	4	3/8 x 1" HEX BOLT (OPT)

△ * OPTION...
IF ITEM #18 QTY IS 2, THEN ITEM #17 QTY IS 0

NO.	REVISION	DATE	BY	APPVD
1	ADDED SHAFT COVER	07/26/16	SS	X
2	ADDED OPTION NOTE	05/21/14	SS	X
3	ADDED DOWEL PIN	12/28/11	SS	X
4	INITIAL RELEASE	05/20/04	SS	X

DRAWING	LEVELS	VIEW	
BOODRVR	250, 251	I	
FROM SER#	DATE	TO SER#	DATE
X	X	X	X

TOLERANCES
ALL DIMENSIONS ARE IN INCHES UNLESS OTHERWISE SPECIFIED.

*TOL. DECIMALS:
.XXX= +/- .005
.XX= +/- .015
.X= +/- .030
FRAC.= +/- 1/16

*TOL. ANGLES:
+/- .5 DEGREES

*CONCENTRICITY:
.005 T. I. R.

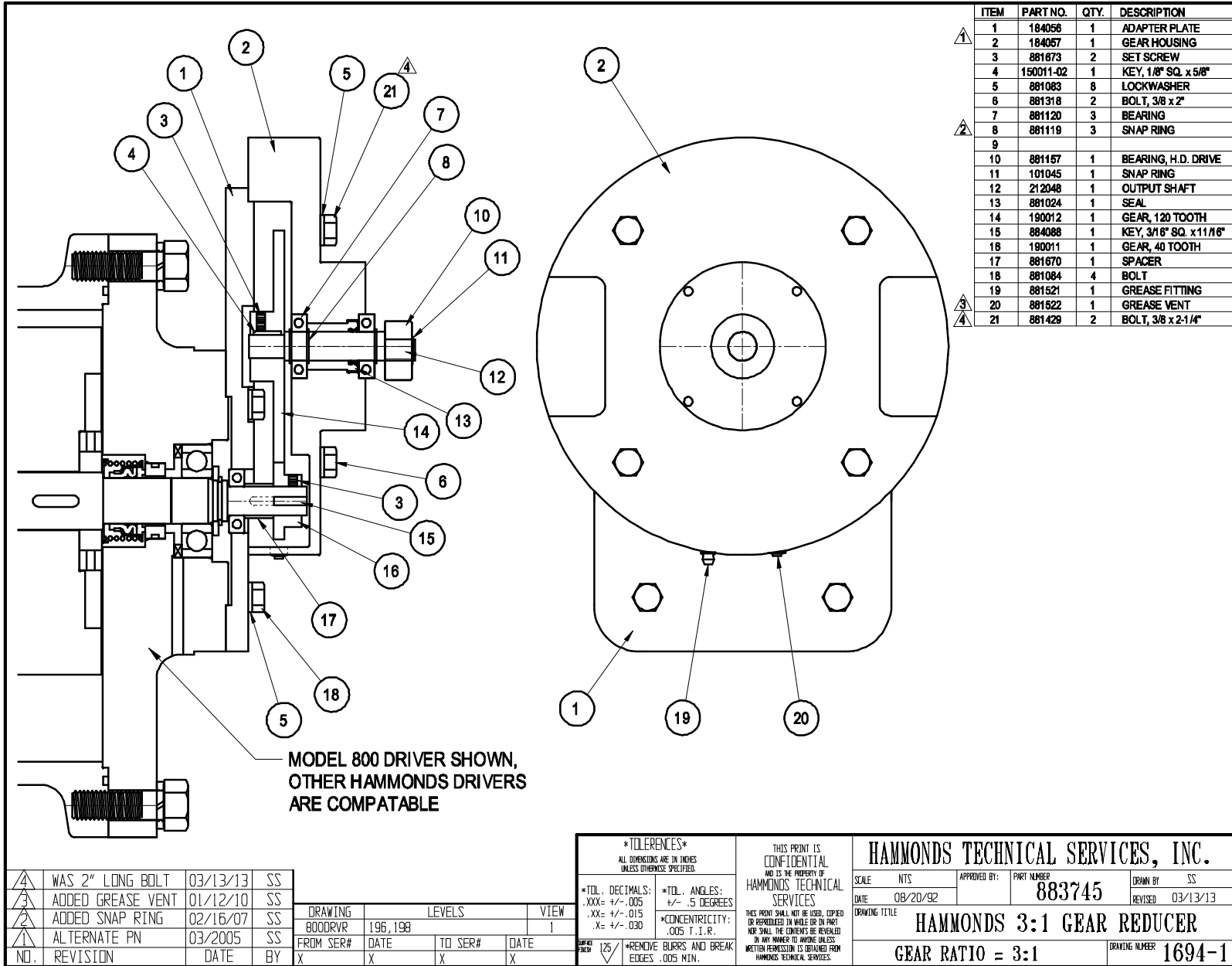
*REMOVE BURRS AND BREAK EDGES .005 MIN.

THIS PRINT IS CONFIDENTIAL AND IS THE PROPERTY OF HAMMONDS TECHNICAL SERVICES

THIS PRINT SHALL NOT BE LOANED, COPIED OR REPRODUCED IN WHOLE OR IN PART NOR SHALL THE CONTENTS BE REPRODUCED IN ANY MANNER TO WHOME UNLESS WRITTEN PERMISSION IS OBTAINED FROM HAMMONDS TECHNICAL SERVICES.

HAMMONDS TECHNICAL SERVICES, INC.			
SCALE: NTS	APPROVED PART NUMBER: 807ER	DRAWN BY: SS	
DATE: 05/20/04		REVISED: 07/26/16	
DRAWING TITLE: MODEL 800ER DRIVER (ALUM)			
7 VANE ROTOR			DRAWING NUMBER: 4864

Hammonds Model HC800-3 Additive Cart



ITEM	PART NO.	QTY.	DESCRIPTION
1	184056	1	ADAPTER PLATE
2	184057	1	GEAR HOUSING
3	881673	2	SET SCREW
4	150011-02	1	KEY, 1/8" SQ. x 5/8"
5	881063	8	LOCKWASHER
6	881318	2	BOLT, 3/8 x 2"
7	881120	3	BEARING
8	881119	3	SNAP RING
9			
10	881157	1	BEARING, H.D. DRIVE
11	101045	1	SNAP RING
12	212048	1	OUTPUT SHAFT
13	881024	1	SEAL
14	190012	1	GEAR, 120 TOOTH
15	884088	1	KEY, 3/16" SQ. x 1 1/16"
16	190011	1	GEAR, 40 TOOTH
17	881670	1	SPACER
18	881084	4	BOLT
19	881521	1	GREASE FITTING
20	881522	1	GREASE VENT
21	881429	2	BOLT, 3/8 x 2-1/4"

MODEL 800 DRIVER SHOWN,
OTHER HAMMONDS DRIVERS
ARE COMPATIBLE

4	WAS 2" LONG BOLT	03/13/13	SS
5	ADDED GREASE VENT	01/12/10	SS
6	ADDED SNAP RING	02/16/07	SS
7	ALTERNATE PN	03/2005	SS
NO.	REVISION	DATE	BY

DRAWING	LEVELS	VIEW
800DRVR	196, 199	1
FROM SER#	DATE	TO SER#
X	X	X

TOLERANCES
ALL DIMENSIONS ARE IN INCHES UNLESS OTHERWISE SPECIFIED.

*TOL. DECIMALS: .XXX = +/- .005 .XX = +/- .015 .X = +/- .030	*TOL. ANGLES: +/- .5 DEGREES *CONCENTRICITY: .005 T.I.R.
---	---

REMOVE BURRS AND BREAK EDGES .005 MIN.

THIS PRINT IS
CONFIDENTIAL
AND IS THE PROPERTY OF
HAMMONDS TECHNICAL
SERVICES

HAMMONDS TECHNICAL SERVICES, INC.

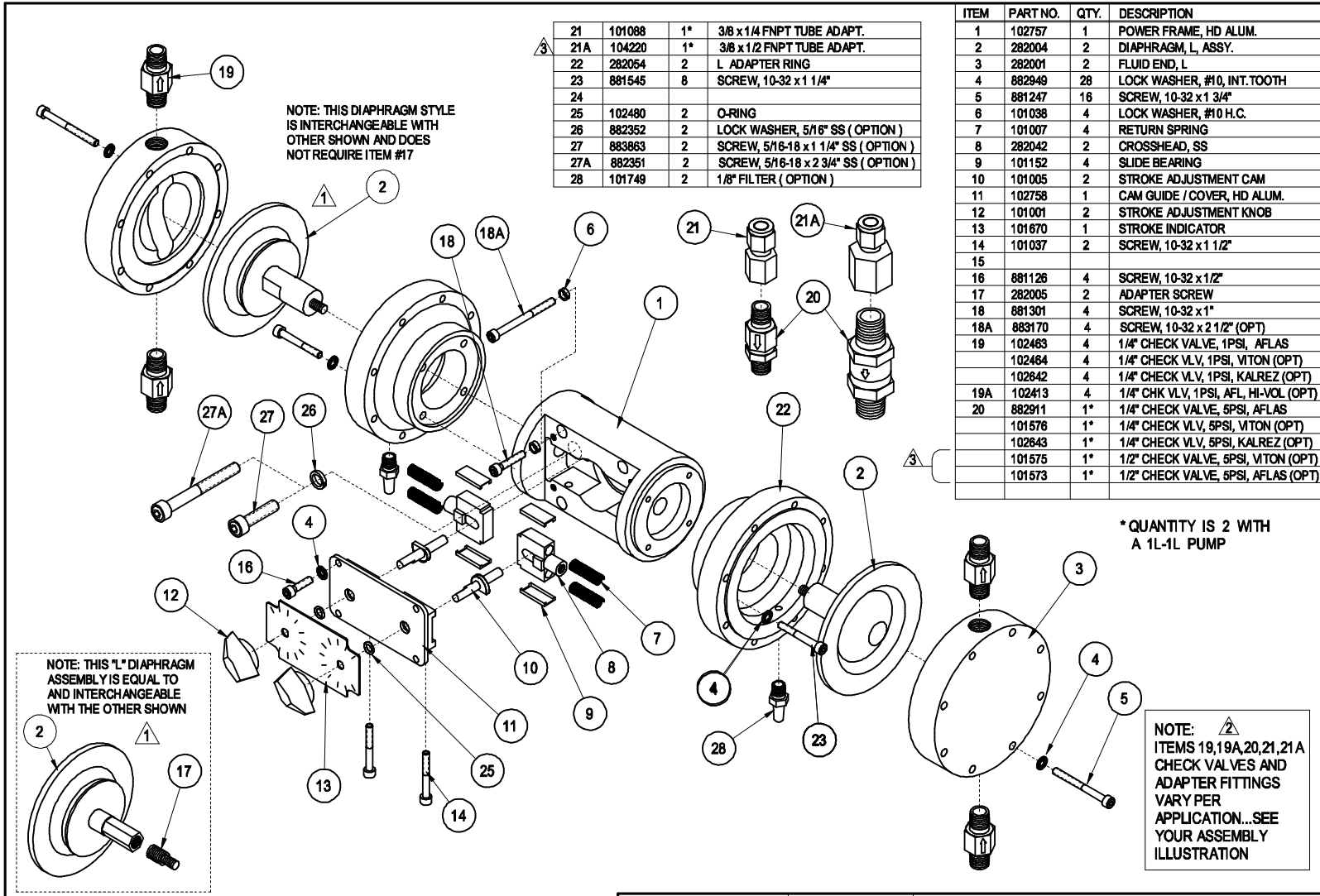
SCALE: NTS	APPROVED BY:	PART NUMBER: 883745	DRAWN BY: SS
DATE: 08/20/92			REVISED: 03/13/13

DRAWING TITLE: **HAMMONDS 3:1 GEAR REDUCER**

GEAR RATIO = 3:1

DRAWING NUMBER: **1694-1**

Hammonds Model HC800-3 Additive Cart



21	101088	1*	3/8 x 1/4 FNPT TUBE ADAPT.
21A	104220	1*	3/8 x 1/2 FNPT TUBE ADAPT.
22	282054	2	L ADAPTER RING
23	881545	8	SCREW, 10-32 x 1 1/4"
24			
25	102480	2	O-RING
26	882352	2	LOCK WASHER, 5/16" SS (OPTION)
27	883863	2	SCREW, 5/16-18 x 1 1/4" SS (OPTION)
27A	882351	2	SCREW, 5/16-18 x 2 3/4" SS (OPTION)
28	101749	2	1/8" FILTER (OPTION)

ITEM	PART NO.	QTY.	DESCRIPTION
1	102757	1	POWER FRAME, HD ALUM.
2	282004	2	DIAPHRAGM, L, ASSY.
3	282001	2	FLUID END, L
4	882949	28	LOCK WASHER, #10, INT. TOOTH
5	881247	16	SCREW, 10-32 x 1 3/4"
6	101038	4	LOCK WASHER, #10 H.C.
7	101007	4	RETURN SPRING
8	282042	2	CROSSHEAD, SS
9	101152	4	SLIDE BEARING
10	101005	2	STROKE ADJUSTMENT CAM
11	102758	1	CAM GUIDE / COVER, HD ALUM.
12	101001	2	STROKE ADJUSTMENT KNOB
13	101670	1	STROKE INDICATOR
14	101037	2	SCREW, 10-32 x 1 1/2"
15			
16	881126	4	SCREW, 10-32 x 1/2"
17	282005	2	ADAPTER SCREW
18	881301	4	SCREW, 10-32 x 1"
18A	883170	4	SCREW, 10-32 x 2 1/2" (OPT)
19	102463	4	1/4" CHECK VALVE, 1PSI, AFLAS
	102464	4	1/4" CHECK VLV, 1PSI, VITON (OPT)
	102842	4	1/4" CHECK VLV, 1PSI, KALREZ (OPT)
19A	102413	4	1/4" CHK VLV, 1PSI, AFL, HI-VOL (OPT)
20	882911	1*	1/4" CHECK VALVE, 5PSI, AFLAS
	101576	1*	1/4" CHECK VLV, 5PSI, VITON (OPT)
	102643	1*	1/4" CHECK VLV, 5PSI, KALREZ (OPT)
	101575	1*	1/2" CHECK VALVE, 5PSI, VITON (OPT)
	101573	1*	1/2" CHECK VALVE, 5PSI, AFLAS (OPT)

* QUANTITY IS 2 WITH A 1L-1L PUMP

NOTE: ITEMS 19, 19A, 20, 21, 21A CHECK VALVES AND ADAPTER FITTINGS VARY PER APPLICATION...SEE YOUR ASSEMBLY ILLUSTRATION

NOTE: THIS "L" DIAPHRAGM ASSEMBLY IS EQUAL TO AND INTERCHANGEABLE WITH THE OTHER SHOWN

<table border="1" style="width: 100%; border-collapse: collapse;"> <tr> <td style="width: 15%; text-align: center;">3</td> <td>ADDED PN'S</td> <td>12/30/16</td> <td>SS</td> <td>DRAWING</td> <td colspan="2">LEVELS</td> <td>VIEW</td> </tr> <tr> <td style="text-align: center;">2</td> <td>ADDED NOTE</td> <td>05/23/14</td> <td>SS</td> <td>INJECTOR</td> <td>40, 46, 48-51, 56, 128, 139-141, 143, 152, 153, 208, 209, 235, 236</td> <td>7</td> </tr> <tr> <td style="text-align: center;">1</td> <td>ALTERNATE DIAPH.</td> <td>03/2008</td> <td>SS</td> <td>FROM SER#</td> <td>DATE</td> <td>TO SER#</td> <td>DATE</td> </tr> <tr> <td>NO.</td> <td>REVISION</td> <td>DATE</td> <td>BY</td> <td>4014</td> <td>12/08/97</td> <td>X</td> <td>X</td> </tr> </table>		3	ADDED PN'S	12/30/16	SS	DRAWING	LEVELS		VIEW	2	ADDED NOTE	05/23/14	SS	INJECTOR	40, 46, 48-51, 56, 128, 139-141, 143, 152, 153, 208, 209, 235, 236	7	1	ALTERNATE DIAPH.	03/2008	SS	FROM SER#	DATE	TO SER#	DATE	NO.	REVISION	DATE	BY	4014	12/08/97	X	X	<p>*TOLERANCES*</p> <p>ALL DIMENSIONS ARE IN INCHES UNLESS OTHERWISE SPECIFIED.</p> <p>*TOL. DECIMALS: .XXX= +/- .005 .XX= +/- .015 .X= +/- .030</p> <p>*TOL. ANGLES: +/- .5 DEGREES</p> <p>*CONCENTRICITY: .005 T. I. R.</p> <p>*REMOVE BURRS AND BREAK EDGES .005 MIN.</p>		<p>THIS PRINT IS CONFIDENTIAL AND IS THE PROPERTY OF HAMMONDS TECHNICAL SERVICES</p> <p>THIS PRINT SHALL NOT BE USED, COPIED OR REPRODUCED IN WHOLE OR IN PART NOR SHALL THE CONTENTS BE REVEALED IN ANY MANNER TO ANYONE UNLESS WRITTEN PERMISSION IS OBTAINED FROM HAMMONDS TECHNICAL SERVICES.</p>		<p>HAMMONDS TECHNICAL SERVICES, INC.</p> <p>SCALE: NTS APPROVED BY: _____ DRAWN BY: SS</p> <p>DATE: 02/16/07 REVISED: 12/30/16</p> <p>DRAWING TITLE: HAMMONDS 2L PUMP ASSEMBLY</p> <p>HEAVY DUTY DRAWING NUMBER: 5547</p>	
		3	ADDED PN'S	12/30/16	SS	DRAWING	LEVELS		VIEW																													
2	ADDED NOTE	05/23/14	SS	INJECTOR	40, 46, 48-51, 56, 128, 139-141, 143, 152, 153, 208, 209, 235, 236	7																																
1	ALTERNATE DIAPH.	03/2008	SS	FROM SER#	DATE	TO SER#	DATE																															
NO.	REVISION	DATE	BY	4014	12/08/97	X	X																															
<p>18</p>																																						

Hammonds Model HC800-3 Additive Cart

NOTE: THIS DIAPHRAGM STYLE IS INTERCHANGEABLE WITH OTHER SHOWN AND DOES NOT REQUIRE ITEM #17

NOTE: THIS "L" DIAPHRAGM ASSEMBLY IS EQUAL TO AND INTERCHANGEABLE WITH THE OTHER SHOWN

26	882352	2	LOCK WASHER, 5/16" SS (OPTION)
27	883863	2	SCREW, 5/16-18 x 1 1/4" SS (OPTION)
27A	882351	2	SCREW, 5/16-18 x 2 3/4" SS (OPTION)
28	101749	1	1/8" FILTER (OPTION)
29	102747A	1	DUST CAP STD. (OPTION)
	102747	1	DUST CAP (FOR OPTIONAL O-RING)
30	101368	1	O-RING (FOR 102747 OPTION)
31	102746	1	DUST PLUG (OPTION)

ITEM	PART NO.	QTY.	DESCRIPTION
1	102757	1	POWER FRAME, HD ALUM.
	101774	1	POWER FRAME, HD SS
2	282004	1	DIAPHRAGM, L
3	282001	1	FLUID END, L SS
4	882949	20	LOCK WASHER, #10, INT. TOOTH
5	881247	8	SCREW, 10-32 x 1 3/4"
6	101038	4	LOCK WASHER, #10 H.C.
7	101007	2	RETURN SPRING
8	282042	1	CROSSHEAD, SS
9	101152	2	SLIDE BEARING
10	101005	1	STROKE ADJUSTMENT CAM
11	102758	1	PUMP FRAME COVER, HD ALUM.
	101659	1	PUMP FRAME COVER, HD SS
12	101001	1	STROKE ADJUSTMENT KNOB
13	101670	1	STROKE INDICATOR
14	101037	2	SCREW, 10-32 x 1 1/2"
15			
16	881126	8	SCREW, 10-32 x 1/2"
17	282005	1	ADAPTER SCREW
18	881301	4	SCREW, 10-32 x 1"
18A	883170	4	SCREW, 10-32 x 2 1/2" (OPT)
19	102463	2	1/4" CHECK VALVE, AFLAS
	102464	2	1/4" CHECK VALVE, VITON (OPT)
	102642	2	1/4" CHECK VALVE, KALREZ (OPT)
19A	102413	2	1/4" CHECK VLV, AFLAS, HI-VOL (OPT)
20	882911	1	CHECK VALVE, 5 PSI, AFLAS
	101576	1	CHECK VALVE, 5 PSI, VITON (OPT)
	102643	1	CHECK VALVE, 5 PSI, KALREZ (OPT)
21	101088	1	3/8 x 1/4 FNPT TUBE ADAPT.
22	282054	1	L ADAPTER RING, ALUM.
	282016	1	L ADAPTER RING, SS
23	881545	4	SCREW, 10-32 x 1 1/4"
24			
25	102480	2	O-RING

NO.	REVISION	DATE	BY
3	ADDED STD DUST CAP	09/30/16	SS
2	ADDED SS MAT'L.	07/16/09	SS
1	ALTERNATE DIAPHRAGM	03/2008	SS

DRAWING		LEVELS		VIEW
INJECTOR	40,46,48-50,56,129,139-141,143,208,237-239			7
FROM SER#	DATE	TO SER#	DATE	
4014	12/08/97	X	X	

TOLERANCES
ALL DIMENSIONS ARE IN INCHES UNLESS OTHERWISE SPECIFIED.

*TOL. DECIMALS:
.XXX= +/- .005
.XX= +/- .015
.X= +/- .030

*TOL. ANGLES:
+/- .5 DEGREES

*CONCENTRICITY:
.005 T. I. R.

REMOVE BURRS AND BREAK EDGES .005 MIN.

THIS PRINT IS CONFIDENTIAL AND IS THE PROPERTY OF HAMMONDS TECHNICAL SERVICES

THIS PRINT SHALL NOT BE USED, COPIED OR REPRODUCED IN WHOLE OR IN PART NOR SHALL THE CONTENTS BE REVEALED IN ANY MANNER TO ANYONE UNLESS WRITTEN PERMISSION IS OBTAINED FROM HAMMONDS TECHNICAL SERVICES.

HAMMONDS TECHNICAL SERVICES, INC.

SCALE: NTS APPROVED BY: _____ DRAWN BY: SS

DATE: 02/16/07 REVISED: 09/30/16

DRAWING TITLE: **HAMMONDS 1L PUMP**

HEAVY DUTY DRAWING NUMBER: **5548**

Hammonds Model HC800-3 Additive Cart

NOTE: MARK STROKE SETTING BEFORE REMOVING ANY PART

1 REMOVE LOCK SCREW

2 REMOVE ADJUSTMENT KNOB

3 REMOVE STROKE INDICATOR PLATE AND CAM GUIDE / COVER

4 REMOVE SCREWS HOLDING FLUID END. REMOVE FLUID END.

FLUID END

1

5 PRESS DIAL KNOB BACK ON AND ROTATE COUNTER CLOCKWISE UNTIL DIAPHRAGM HAS CLEARED SURFACE OF ADAPTER RING AND CROSSHEAD HAS CLEARED DRIVE BEARING.

6 REMOVE SNAP RING

7 SLIDE DRIVE BEARING OFF

8 UNSCREW OLD DIAPHRAGM

ADAPTER RING

CROSSHEAD

2

9 WITH DIAL SET IN SAME COUNTER CLOCKWISE (FULL OUT) POSITION, INSTALL NEW DIAPHRAGM, THREADING INTO CROSSHEAD ALL THE WAY. DO NOT OVER-TIGHTEN!

3

*** WARNING... FAILURE TO TORQUE SCREWS PROPERLY TO 40 IN. LBS. WILL REDUCE PUMP HEAD PERFORMANCE, RESULTING IN INSUFFICIENT INJECTION RATIO.**

10 ROTATE DIAL FULLY IN OPPOSITE DIRECTION (CLOCKWISE) BRINGING DIAPHRAGM AT REST AGAINST ADAPTER RING.

11 REINSTALL SCREWS, TAKING EACH ONE DOWN BY HAND UNTIL IT STOPS. TIGHTEN SCREWS TO 40 IN. LBS. * IN THE ORDER SHOWN BELOW. TORQUE EACH SCREW IN THE PATTERN, THEN REPEAT THE TORQUE SEQUENCE ONLY ONCE!

WARNING!
FAILURE TO FOLLOW THIS PROCEDURE WILL RESULT IN POOR PUMP PERFORMANCE WITH DIAPHRAGM DEFORMATION AND PREMATURE FAILURE.

4

12 ROTATE DIAL COUNTER CLOCKWISE ENOUGH TO INSTALL DRIVE BEARING. INSTALL SNAP RING.

13 REMOVE DIAL KNOB. REINSTALL CAM GUIDE / COVER AND STROKE INDICATOR PLATE REINSTALL ADJUSTMENT KNOB AND POSITION IT ON ORIGINAL % SETTING. INSTALL LOCK SCREW, LOCK DIAL IN PLACE.

NOTE: AFTER THIS PROCEDURE IS COMPLETE, YOU MUST RECALIBRATE THE INJECTOR TO YOUR SPECIFICATIONS.

5

FOR TECHNICAL ASSISTANCE CALL
HAMMONDS TECH. SVS.
(281) 999-2900

HAMMONDS TECHNICAL SERVICES, INC.			
SCALE	NTS	APPROVED	PART NUMBER
DATE	10/03/1997		
DRAWING TITLE			DRAWN BY SS
"L" DIAPHRAGM REPLACEMENT			REVISED -
HEAVY DUTY PUMP SERIES			DRAWING NUMBER 1461-1

Hammonds Model HC800-3 Additive Cart

26	882352	2	LOCK WASHER, 5/16" SS (OPTION)
27	883863	2	SCREW, 5/16-18 x 1 1/4" SS (OPTION)
27A	882351	2	SCREW, 5/16-18 x 2 3/4" SS (OPTION)
28	102480	2	O-RING (OPTION)
29	102747 A	1	DUST CAP STD. (OPTION)
	102747	1	DUST CAP (FOR OPTIONAL O-RING)
30	101368	1	O-RING (FOR 102747 OPTION)
31	102746	1	DUST PLUG (OPTION)

ITEM	PART NO.	QTY.	DESCRIPTION
1	102757	1	POWER FRAME, HD ALUM.
2	881045	1	SETScrew, 1/4-20 x 1 (PART OF #3)
3	102266	1	PLUNGER, P2
4	881024	1	SEAL, LIP
5			
6	102268	1	SEAL HOUSING, P2
7	102269	1	O-RING, AFLAS
	102270	1	O-RING, VITON (OPTION)
8	102267	1	FLUID END, P2
9	882949	12	LOCK WASHER, #10 INTERNAL
10	881780	4	SCREW, #10-32 x 2 3/4"
11	102783	2	CHECK VALVE, 1/8", VITON
12	101007	2	RETURN SPRING
13	101006	1	CROSSHEAD
14	101152	2	SLIDE BEARING
15	101005	1	STROKE ADJUSTMENT CAM
16	102758	1	PUMP FRAME COVER, HD ALUM
17	101670	1	STROKE INDICATOR
18	101037	2	SCREW, #10-32 x 1 1/2"
19	881126	4	SCREW, #10-32 x 1/2"
19A	881126	4	SCREW, #10-32 x 1/2" (OPTION)
20	101001	1	STROKE ADJUSTMENT KNOB
21			
22	881301	4	SCREW, #10-32 x 1"
22A	883170	4	SCREW, #10-32 x 2 1/2" (OPT)
23	101038	4	LOCK WASHER, #10 H.C.
24	882911	1	CHECK VALVE, 5 PSI, AFLAS
	101576	1	CHECK VALVE, 5 PSI, VITON (OPT)
25	101058	1	1/4 x 1/4 FNPT TUBE ADAPT.

	ADDED STD DUST CAP	09/30/16	SS	X		
	INITIAL RELEASE	04/03/09	SS	X		
	REVISION	DATE	BY	APPVD		

DRAWING	LEVELS	VIEW	
INJECTOR	40, 90, 139-141, 143	1	
	202, 208, 239, 245		
FROM SER#	DATE	TO SER#	DATE
X	X	X	X

TOLERANCES
ALL DIMENSIONS ARE IN INCHES UNLESS OTHERWISE SPECIFIED.

*TOL. DECIMALS:
.XXX= +/- .005
.XX= +/- .015
.X= +/- .030
FRAC.= +/- 1/16

*TOL. ANGLES:
+/- .5 DEGREES

*CONCENTRICITY:
.005 T. I. R.

*REMOVE BURRS AND BREAK EDGES .005 MIN.

SURFACE FINISH 125

THIS PRINT IS CONFIDENTIAL AND IS THE PROPERTY OF HAMMONDS TECHNICAL SERVICES

THIS PRINT SHALL NOT BE LOANED, COPIED OR REPRODUCED IN WHOLE OR IN PART IN ANY MANNER TO WHOME UNLESS WRITTEN PERMISSION IS OBTAINED FROM HAMMONDS TECHNICAL SERVICES.

HAMMONDS TECHNICAL SERVICES, INC.			
SCALE: NTS	APPROVED	PART NUMBER	DRAWN BY: SS
DATE: 04/03/09			REVISED: 09/30/16
DRAWING TITLE: HAMMONDS 1P2 PUMP			
HEAVY DUTY			DRAWING NUMBER: 6120

Hammonds Model HC800-3 Additive Cart

26	882352	2	LOCK WASHER, 5/16" SS (OPTION)
27	883863	2	SCREW, 5/16-18 x 1 1/4" SS (OPTION)
27A	882351	2	SCREW, 5/16-18 x 2 3/4" SS (OPTION)
28	102480	2	O-RING (OPTION)
29	102747A	1	DUST CAP STD. (OPTION)
	102747	1	DUST CAP (FOR OPTIONAL O-RING)
30	101368	1	O-RING (FOR 102747 OPTION)
31	102746	1	DUST PLUG (OPTION)

ITEM	PART NO.	QTY.	DESCRIPTION
1	102757	1	POWER FRAME, HD ALUM.
2	881045	1	SETSCREW, 1/4-20 x 1 (PART OF #3)
3	102339	1	PLUNGER, P5
4	881079	1	SEAL LIP
5			
6	102341	1	SEAL HOUSING, P5
7	101856	1	O-RING, AFLAS
	101857	1	O-RING, VITON (OPTION)
	103514	1	O-RING, KALREZ (OPTION)
8	102340	1	FLUID END, P5
9	882949	12	LOCK WASHER, #10 INTERNAL
10	881317	4	SCREW, #10-32 x 2"
11	102463	2	CHECK VALVE, 1 PSI, AFLAS
	102464	2	CHECK VALVE, 1 PSI, VITON (OPT)
	102642	2	CHECK VALVE, 1 PSI, KALREZ (OPT)
12	101007	2	RETURN SPRING
13	101006	1	CROSSHEAD
14	101152	2	SLIDE BEARING
15	101005	1	STROKE ADJUSTMENT CAM
16	102758	1	PUMP FRAME COVER, HD ALUM
17	101670	1	STROKE INDICATOR
18	101037	2	SCREW, #10-32 x 1 1/2"
19	881126	4	SCREW, #10-32 x 1/2"
19A	881126	4	SCREW, #10-32 x 1/2" (OPTION)
20	101001	1	STROKE ADJUSTMENT KNOB
21			
22	881301	4	SCREW, #10-32 x 1"
22A	883170	4	SCREW, #10-32 x 2 1/2" (OPT)
23	101038	4	LOCK WASHER, #10 H.C.
24	882911	1	CHECK VALVE, 5 PSI, AFLAS
	101576	1	CHECK VALVE, 5 PSI, VITON (OPT)
	102643	1	CHECK VALVE, 5 PSI, KALREZ (OPT)
25	101088	1	3/8 x 1/4 FNPT TUBE ADAPT.

△ ADDED STD DUST CAP △ ADDED KALREZ OPT △ INITIAL RELEASE ND. REVISION	09/30/16 06/25/09 10/27/08 DATE	SS SS SS BY	X X X APPVD	DRAWING LEVELS INJECTOR 40, 90-98, 129, 139-141, 143, 208, 239 FROM SER# DATE TO SER# DATE X X X X	*TOLERANCES* ALL DIMENSIONS ARE IN INCHES UNLESS OTHERWISE SPECIFIED. *TOL. DECIMALS: .XXX= +/- .005 .XX= +/- .015 .X= +/- .030 FRAC = +/- 1/16 *TOL. ANGLES: +/- .5 DEGREES *CONCENTRICITY: .005 T.I.R. SURFACE FINISH 125 *REMOVE BURRS AND BREAK EDGES .005 MIN.	THIS PRINT IS CONFIDENTIAL AND IS THE PROPERTY OF HAMMONDS TECHNICAL SERVICES THIS PRINT SHALL NOT BE USED, COPIED OR REPRODUCED IN WHOLE OR IN PART NOR SHALL THE CONTENTS BE REVEALED TO ANY NUMBER TO WHOME UNLESS WRITTEN PERMISSION IS OBTAINED FROM HAMMONDS TECHNICAL SERVICES.	HAMMONDS TECHNICAL SERVICES, INC. SCALE NTS APPROVED PART NUMBER DATE 10/27/08 DRAWING TITLE HAMMONDS 1P5 PUMP HEAVY DUTY	DRAWN BY SS REVISED 08/30/16 DRAWING NUMBER 5993
--	--	----------------------	----------------------	---	---	---	--	--

Hammonds Model HC800-3 Additive Cart

ITEM	PART NO.	QTY.	DESCRIPTION
26	882352	2	LOCK WASHER, 5/16" SS (OPTION)
27	883863	2	SCREW, 5/16-18 x 1 1/4" SS (OPTION)
27A	882351	2	SCREW, 5/16-18 x 2 3/4" SS (OPTION)
28	102480	2	O-RING (OPTION)
29	102747A	1	DUST CAP STD. (OPTION)
	102747	1	DUST CAP (FOR OPTIONAL O-RING)
30	101388	1	O-RING (FOR 102747 OPTION)
31	102746	1	DUST PLUG (OPTION)

ITEM	PART NO.	QTY.	DESCRIPTION
1	102757	1	POWER FRAME, HD ALUM.
2	881045	1	SETSCREW, 1/4-20 x 1 (PART OF #3)
3	102192	1	PLUNGER, P7
4	881765	1	SEAL, LIP
5	101749	1	1/8" FILTER (OPTION)
6	102194	1	SEAL HOUSING
6A	102474	1	SEAL HOUSING, VENTED (OPTION)
7	101490	1	O-RING, AFLAS
	101226	1	O-RING, VITON (OPTION)
	101754	1	O-RING, KALREZ (OPTION)
8	102193	1	FLUID END, P7
9	882949	12	LOCK WASHER, #10 INTERNAL
10	881317	4	SCREW, #10-32 x 2"
11	102483	2	CHECK VALVE, AFLAS
	102464	2	CHECK VALVE, VITON (OPTION)
	102642	2	CHECK VALVE, KALREZ (OPTION)
12	101007	2	RETURN SPRING
13	101006	1	CROSSHEAD
14	101152	2	SLIDE BEARING
15	101005	1	STROKE ADJUSTMENT CAM
16	102758	1	PUMP FRAME COVER, HD ALUM
17	101670	1	STROKE INDICATOR
18	101037	2	SCREW, #10-32 x 1 1/2"
19	881126	4	SCREW, #10-32 x 1/2"
19A	881126	4	SCREW, #10-32 x 1/2" (OPTION)
20	101001	1	STROKE ADJUSTMENT KNOB
21	101749	1	1/8" FILTER (OPTION)
22	881301	4	SCREW, #10-32 x 1"
22A	883170	4	SCREW, #10-32 x 2 1/2" (OPT)
23	101038	4	LOCK WASHER, #10 H.C.
24	882911	1	CHECK VALVE, 5 PSI, AFLAS
	101576	1	CHECK VALVE, 5 PSI, VITON (OPT)
	102643	1	CHECK VALVE, 5 PSI, KALREZ (OPT)
25	101088	1	3/8 x 1/4 FNPT TUBE ADAPT.

ND.	REVISION	DATE	BY	APPVD
△	ADDED STD DUST CAP	09/30/16	SS	X
△	INITIAL RELEASE	02/16/07	SS	X

DRAWING	LEVELS		
INJECTOR	40, 90-93, 95-97, 129, 139-141		
	143, 208, 210, 239, 242, 243		
FROM SER#	DATE	TO SER#	DATE
X	X	X	X

TOLERANCES
ALL DIMENSIONS ARE IN INCHES UNLESS OTHERWISE SPECIFIED.

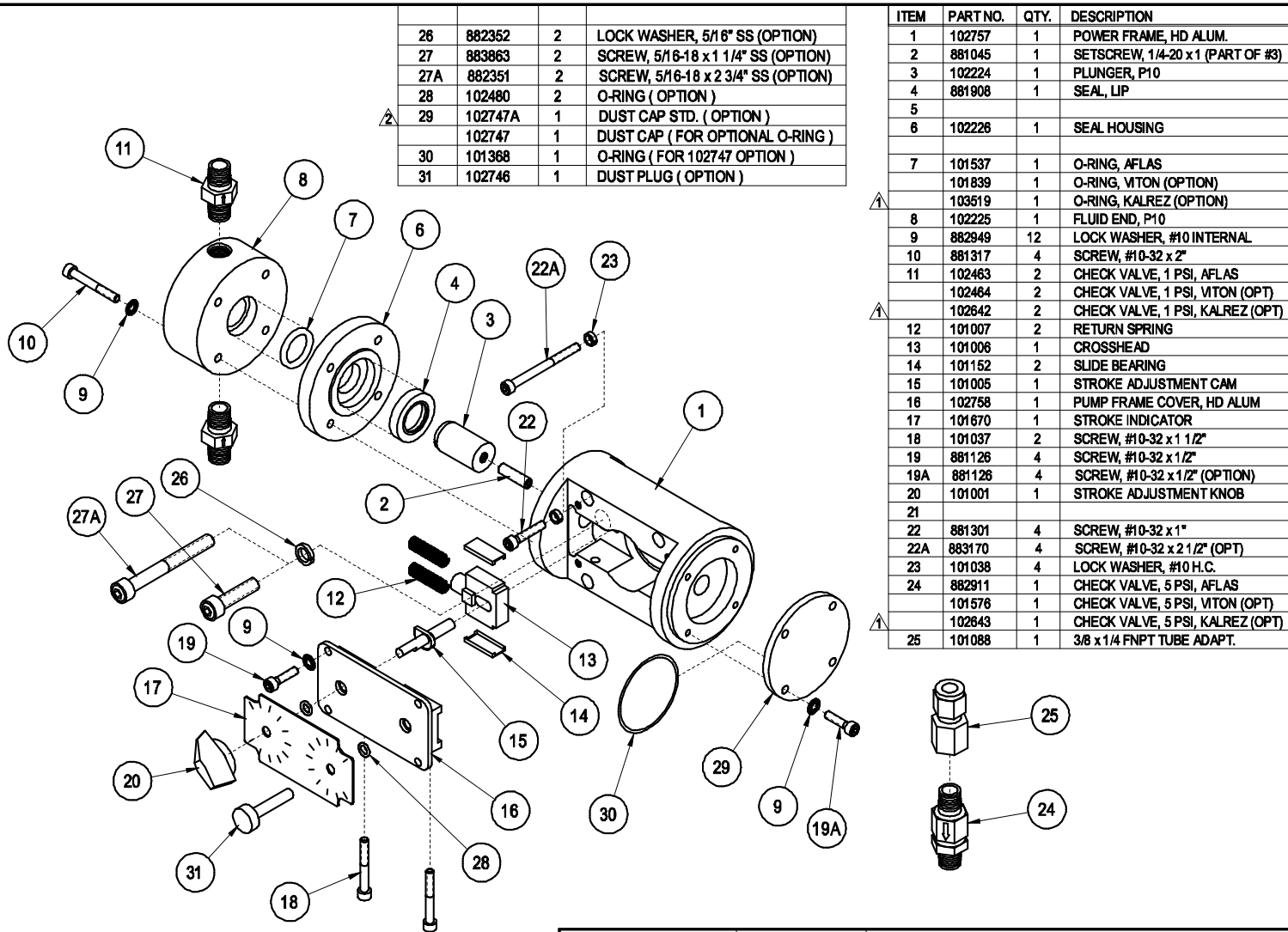
*TOL. DECIMALS: .XXX = +/- .005 .XX = +/- .015 .X = +/- .030 FRAC = +/- 1/16	*TOL. ANGLES: +/- .5 DEGREES	*CONCENTRICITY: .005 T.I.R.
--	---------------------------------	--------------------------------

THIS PRINT IS CONFIDENTIAL AND IS THE PROPERTY OF HAMMONDS TECHNICAL SERVICES. THIS PRINT SHALL NOT BE USED, COPIED OR REPRODUCED IN WHOLE OR IN PART NOR SHALL THE CONTENTS BE REVEALED TO ANY NUMBER TO WHOME UNLESS WRITTEN PERMISSION IS OBTAINED FROM HAMMONDS TECHNICAL SERVICES.

REMOVE BURRS AND BREAK EDGES .005 MIN.

HAMMONDS TECHNICAL SERVICES, INC.		
SCALE: NTS	APPROVED PART NUMBER	DRAWN BY: SS
DATE: 02/16/07		REVISED: 09/30/16
DRAWING TITLE: HAMMONDS 1P7 PUMP		
HEAVY DUTY		DRAWING NUMBER: 5550

Hammonds Model HC800-3 Additive Cart



26	882352	2	LOCK WASHER, 5/16" SS (OPTION)
27	883863	2	SCREW, 5/16-18 x 1 1/4" SS (OPTION)
27A	882351	2	SCREW, 5/16-18 x 2 3/4" SS (OPTION)
28	102480	2	O-RING (OPTION)
29	102747A	1	DUST CAP STD. (OPTION)
	102747	1	DUST CAP (FOR OPTIONAL O-RING)
30	101368	1	O-RING (FOR 102747 OPTION)
31	102746	1	DUST PLUG (OPTION)

ITEM	PART NO.	QTY.	DESCRIPTION
1	102757	1	POWER FRAME, HD ALUM.
2	881045	1	SETSCREW, 1/4-20 x 1 (PART OF #3)
3	102224	1	PLUNGER, P10
4	881908	1	SEAL, LIP
5			
6	102226	1	SEAL HOUSING
7	101537	1	O-RING, AFLAS
	101839	1	O-RING, VITON (OPTION)
	103519	1	O-RING, KALREZ (OPTION)
8	102225	1	FLUID END, P10
9	882949	12	LOCK WASHER, #10 INTERNAL
10	881317	4	SCREW, #10-32 x 2"
11	102463	2	CHECK VALVE, 1 PSI, AFLAS
	102464	2	CHECK VALVE, 1 PSI, VITON (OPT)
	102642	2	CHECK VALVE, 1 PSI, KALREZ (OPT)
12	101007	2	RETURN SPRING
13	101006	1	CROSSHEAD
14	101152	2	SLIDE BEARING
15	101005	1	STROKE ADJUSTMENT CAM
16	102758	1	PUMP FRAME COVER, HD ALUM
17	101670	1	STROKE INDICATOR
18	101037	2	SCREW, #10-32 x 1 1/2"
19	881126	4	SCREW, #10-32 x 1/2"
19A	881126	4	SCREW, #10-32 x 1/2" (OPTION)
20	101001	1	STROKE ADJUSTMENT KNOB
21			
22	881301	4	SCREW, #10-32 x 1"
22A	883170	4	SCREW, #10-32 x 2 1/2" (OPT)
23	101038	4	LOCK WASHER, #10 H.C.
24	882911	1	CHECK VALVE, 5 PSI, AFLAS
	101576	1	CHECK VALVE, 5 PSI, VITON (OPT)
	102643	1	CHECK VALVE, 5 PSI, KALREZ (OPT)
25	101088	1	3/8 x 1/4 FNPT TUBE ADAPT.

ADD	ADDED STD DUST CAP	09/30/16	SS	X	DRAWING	LEVELS	VIEW	
ADD	ADDED KALREZ OPT	09/20/16	SS	X	INJECTOR	40, 90-93, 95-97, 129, 139-141, 143, 208, 239, 253	I	
ADD	INITIAL RELEASE	06/05/09	SS	X	FROM SER#	DATE	TO SER#	DATE
NO.	REVISION	DATE	BY	APPVD	X	X	X	X

TOLERANCES
ALL DIMENSIONS ARE IN INCHES UNLESS OTHERWISE SPECIFIED.

*TOL. DECIMALS:
.XXX = +/- .005
.XX = +/- .015
.X = +/- .030
FRAC. = +/- 1/16

*TOL. ANGLES:
+/- .5 DEGREES

*CONCENTRICITY:
.005 T.I.R.

*REMOVE BURRS AND BREAK EDGES .005 MIN.

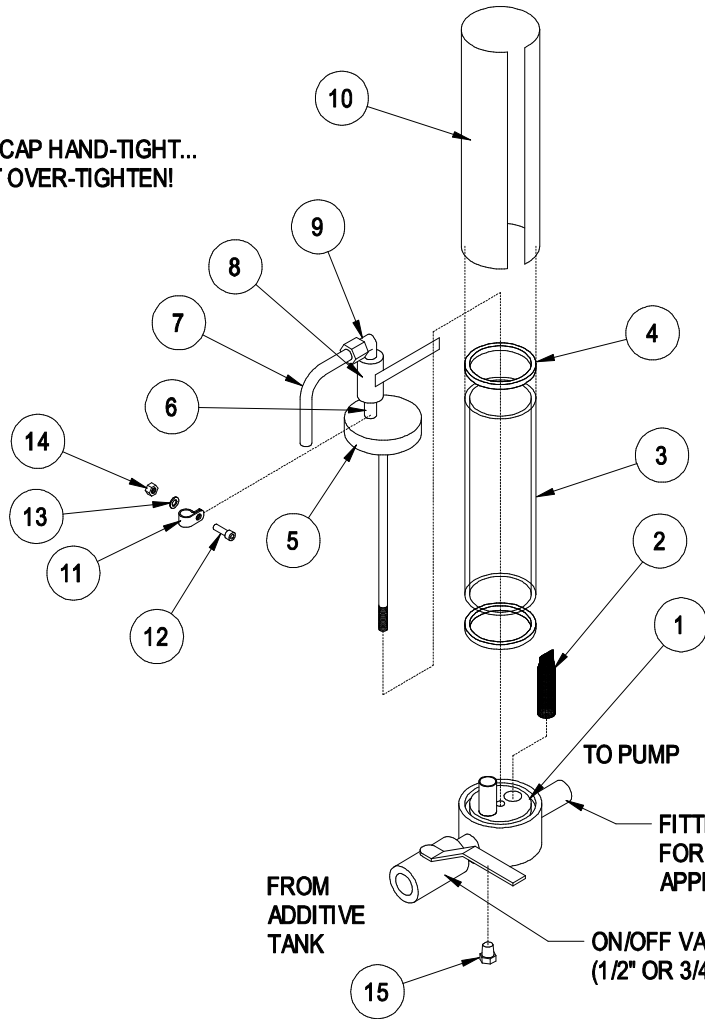
THIS PRINT IS CONFIDENTIAL AND IS THE PROPERTY OF HAMMONDS TECHNICAL SERVICES

THIS PRINT SHALL NOT BE LOANED, COPIED OR REPRODUCED IN WHOLE OR IN PART NOR SHALL THE CONTENTS BE REVEALED IN ANY MANNER TO ANYONE UNLESS WRITTEN PERMISSION IS OBTAINED FROM HAMMONDS TECHNICAL SERVICES.

HAMMONDS TECHNICAL SERVICES, INC.			
SCALE	NTS	APPROVED PART NUMBER	DRAWN BY SS
DATE	06/05/09	.	REVISED 09/30/16
DRAWING TITLE			
HAMMONDS 1P10 PUMP			
HEAVY DUTY			DRAWING NUMBER 6150-1

Hammonds Model HC800-3 Additive Cart

**INSTALL CAP HAND-TIGHT...
DO NOT OVER-TIGHTEN!**



ITEM	PART NO.	QTY.	DESCRIPTION
1	152080	1	BODY, LARGE SIGHT FLOW
2	152025	1	FILTER ELEMENT
3	151014	1	GAUGE GLASS
4	151013	2	GASKET, VITON
	151010	2	GASKET, NEOPRENE, OPT.
	151025	2	GASKET, BUNA-N, OPT.
5	152042	1	CAP
6	101070	1	NIPPLE, 1/4" x 1 1/2"
7	881139-05	1	VENT TUBE, 3/8"
8	102735	1	ON/OFF VALVE, STD. 1/4"
	101230	1	ON/OFF VALVE, MIL. 1/4", OPT.
9	101068	1	ELBOW TUBE FITTING
10	881899	1	GUARD, GAUGE GLASS
11	882562	1	STRAP, VINYL COATED
12	881292	1	1/4-20 x 3/4" SOC. HD. CAP SS
13	103028	1	1/4" FLAT WASHER SS
14	881881	1	1/4-20 LOCK NUT SS
15	151005	1	PIPE PLUG, 1/4"

NO.	REVISION	DATE	BY	APPVD	FROM SER#	DATE	TO SER#	DATE
1	WAS 881139	03/07/14	SS	X				
2	ADDED PLUG	03/24/10	SS	X				
3	ADDED PARTS	06/2008	SS	X				

TOLERANCES	
ALL DIMENSIONS ARE IN INCHES UNLESS OTHERWISE SPECIFIED.	
*TOL. DECIMALS:	*TOL. ANGLES:
.XXX= +/- .005	+/- .5 DEGREES
.XX= +/- .015	
.X= +/- .030	*CONCENTRICITY:
FRAC.= +/- 1/16	.005 T.I.R.
	*REMOVE BURRS AND BREAK EDGES .005 MIN.

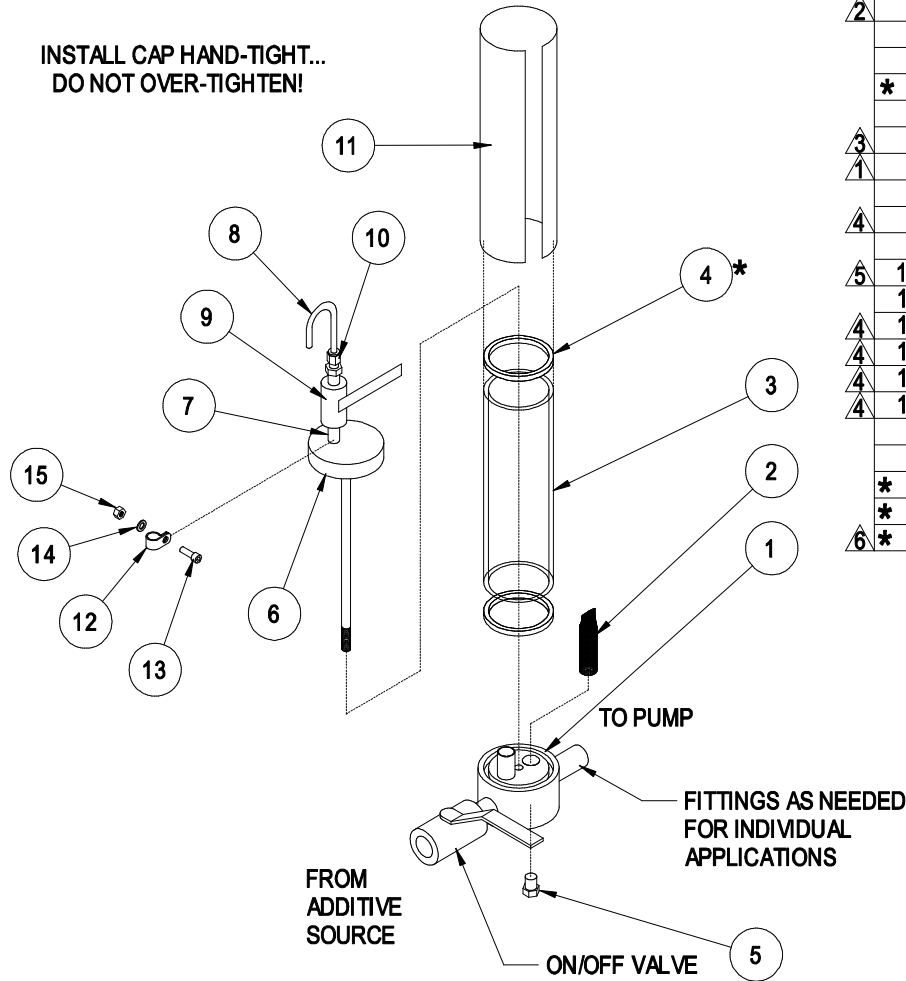
THIS PRINT IS CONFIDENTIAL AND IS THE PROPERTY OF HAMMONDS TECHNICAL SERVICES

THIS PRINT SHALL NOT BE USED, COPIED OR REPRODUCED IN WHOLE OR IN PART IN ANY MANNER TO ANYONE UNLESS WRITTEN PERMISSION IS OBTAINED FROM HAMMONDS TECHNICAL SERVICES.

HAMMONDS TECHNICAL SERVICES, INC.			
SCALE	NTS	APPROVED	PART NUMBER
DATE	07/20/93		SCG314
DRAWING TITLE	SUCTION CALIBRATION GAUGE		
MAT'L:		DRAWING NUMBER	2395

Hammonds Model HC800-3 Additive Cart

**INSTALL CAP HAND-TIGHT...
DO NOT OVER-TIGHTEN!**



	ITEM	PART NO.	QTY.	DESCRIPTION
2	1	152075	1	BODY, STD.SIGHT FLOW
	2	152002	1	FILTER ELEMENT
	3	151015	1	GAUGE GLASS
	* 4	151002	2	GASKET, BUNA
	5	151005	1	PLUG
3	6	152079	1	CAP ASSEMBLY
1	7	101070	1	NIPPLE, 1/4" x 1 1/2"
	8	101059-01	1	VENT TUBE, 1/4"
4	9	102735	1	ON/OFF VALVE, STD. 1/4"
		101230	1	ON/OFF VALVE, MIL. 1/4", OPT.
5	10	101057	1	TUBE ADAPTER, 1/4"
	11	881950	1	GUARD, GAUGE GLASS
4	12	882562	1	STRAP, VINYL COATED
4	13	881292	1	1/4-20 x 3/4" SOC. HD. CAP SS
4	14	103028	1	1/4" FLAT WASHER SS
4	15	881881	1	1/4-20 LOCK NUT SS
				OPTIONAL
	* 4	151007	2	GASKET, VITON
	* 4	151023	2	GASKET, EPDM
6	* 4	151026	2	GASKET, KALREZ

6	ADDED KALREZ OPT.	01/18/17	SS
5	WAS #101071	02/14/14	SS
4	ADDED PARTS	06/2008	SS
3	WAS #152035	05/13/99	SS
2	WAS #152018	05/13/99	SS
1	WAS 1/8" NIPPLE	01/23/97	SS
NO.	REVISION	DATE	BY

DRAWING	LEVELS	VIEW
2489	1,2	1
FROM SER#	DATE	TO SER#
X	X	X

TOLERANCES	
ALL DIMENSIONS ARE IN INCHES UNLESS OTHERWISE SPECIFIED.	
*TOL. DECIMALS: .XXX= +/- .005 .XX= +/- .015 .X= +/- .030	*TOL. ANGLES: +/- .5 DEGREES *CONCENTRICITY: .005 T.I.R.
*REMOVE BURRS AND BREAK EDGES .005 MIN.	

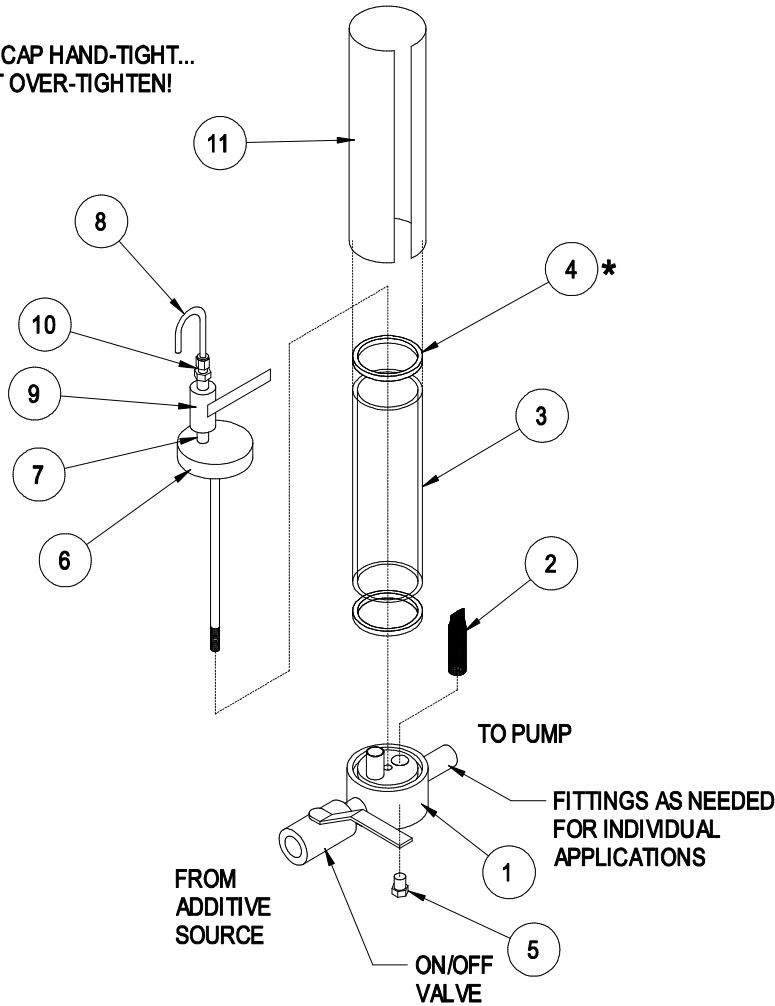
THIS PRINT IS CONFIDENTIAL AND IS THE PROPERTY OF HAMMONDS TECHNICAL SERVICES

THIS PRINT SHALL NOT BE USED, COPIED OR REPRODUCED IN WHOLE OR IN PART NOR SHALL THE CONTENTS BE REVEALED IN ANY MANNER TO ANYONE UNLESS WRITTEN PERMISSION IS OBTAINED FROM HAMMONDS TECHNICAL SERVICES.

HAMMONDS TECHNICAL SERVICES, INC.			
SCALE	NTS	APPROVED BY:	SCG212
DATE	07/20/93	REVISION	01/18/17
DRAWING TITLE			
SUCTION CALIBRATION GAUGE			
MAT' L:			DRAWING NUMBER
			2489

Hammonds Model HC800-3 Additive Cart

INSTALL CAP HAND-TIGHT...
DO NOT OVER-TIGHTEN!



	ITEM	PART NO.	QTY.	DESCRIPTION
2	1	152075	1	BODY, STD.SIGHT FLOW
	2	152002	1	FILTER ELEMENT
3	3	151018	1	GAUGE GLASS
	* 4	151002	2	GASKET, BUNA
4	5	151005	1	PLUG
	6	152069	1	CAP ASSEMBLY
5	7	101070	1	NIPPLE, 1/4" x 1-1/2"
	8	101059-01	1	VENT TUBE, 1/4"
6	9	102735	1	ON/OFF VALVE, STD.1/4"
		101230	1	ON/OFF VALVE, MIL.1/4"
7				OPTIONAL
	10	101057	1	TUBE ADAPTER, 1/4"
8	11	152070	1	GUARD, GAUGE GLASS
	* 4	151007	2	GASKET, VITON, OPT.
9	* 4	151027	2	GASKET, NEOPR, OPT.
	* 4	151026	2	GASKET, KALREZ, OPT.

6	ADDED KALREZ OPT	01/18/17	SS
5	ADDED NEOPR. OPT	09/27/11	SS
4	ADDED OPT VALVE	03/04/10	SS
3	WAS #152035	05/13/99	SS
2	WAS #152018	05/13/99	SS
1	WAS 1/8" NIPPLE	01/23/97	SS
NO.	REVISION	DATE	BY

DRAWING	LEVELS	VIEW	
2489	5,6	1	
FROM SER#	DATE	TO SER#	DATE
X	X	X	X

TOLERANCES
ALL DIMENSIONS ARE IN INCHES
UNLESS OTHERWISE SPECIFIED.

*TOL. DECIMALS: .XXX= +/- .005 .XX= +/- .015 .X= +/- .030	*TOL. ANGLES: +/- .5 DEGREES *CONCENTRICITY: .005 T.I.R.
--	---

REMOVE BURRS AND BREAK EDGES .005 MIN.

THIS PRINT IS
CONFIDENTIAL
AND IS THE PROPERTY OF
HAMMONDS TECHNICAL
SERVICES

THIS PRINT SHALL NOT BE USED, COPIED
OR REPRODUCED IN WHOLE OR IN PART
NOR SHALL THE CONTENTS BE REVEALED
IN ANY MANNER TO ANYONE UNLESS
WRITTEN PERMISSION IS OBTAINED FROM
HAMMONDS TECHNICAL SERVICES.

HAMMONDS TECHNICAL SERVICES, INC.			
SCALE	NTS	APPROVED BY:	SCG206
DATE	07/20/93	DRAWN BY:	SS
DRAWING TITLE		REVISED	
SUCTION CALIBRATION GAUGE		01/18/17	
MAT' L:			DRAWING NUMBER
			3067

Hammonds Model HC800-3 Additive Cart

HAMMONDS SUCTION CALIBRATION GAUGE

CALIBRATION INSTRUCTIONS

- 1) IN ORDER TO CALIBRATE, THE PUMP MUST BE PRIMED AND PURGED OF ALL AIR. THE 3-WAY VALVE MUST BE SET TO INJECT.
- 2) WITH SUPPLY VALVE OPEN, SLOWLY OPEN VENT VALVE. THIS WILL FILL CALIBRATION GAUGE. FILL TO ZERO MARK. DO NOT OVERFILL. ONCE FULL, CLOSE VENT VALVE.
- 3) MAKE NOTE OF ADDITIVE LEVEL IN CALIBRATION GAUGE AND MAIN PRODUCT METER READING. BEGIN CALIBRATION BY FIRST CLOSING THE SUPPLY VALVE AND THEN OPENING THE VENT VALVE. START THE PRODUCT FLOW (SET FOR A SHORT TRIAL RUN).
- 4) AT THE END OF THE RUN, RECORD THE AMOUNT OF ADDITIVE THAT WAS DRAWN FROM THE CALIBRATION GAUGE. RECORD THE AMOUNT OF FUEL PUMPED. CLOSE THE VENT VALVE. OPEN THE SUPPLY VALVE.
- 5) DIVIDE THE AMOUNT OF ADDITIVE USED BY THE VOLUME OF FUEL THAT WAS PUMPED GIVING YOU PPM.
- 6) INCREASE OR DECREASE PERCENTAGE OF STROKE ON DIAPHRAGM PUMP TO OBTAIN DESIRED INJECTION RATIO.

EXAMPLE: (METRIC)
 ADDITIVE INJECTED = 500 ML
 FUEL DELIVERED = 1785 LITERS

$$\frac{500}{1785} = .280$$

$$\frac{.280}{1000} = .000280 \text{ (280 MILLIONTHS)}$$

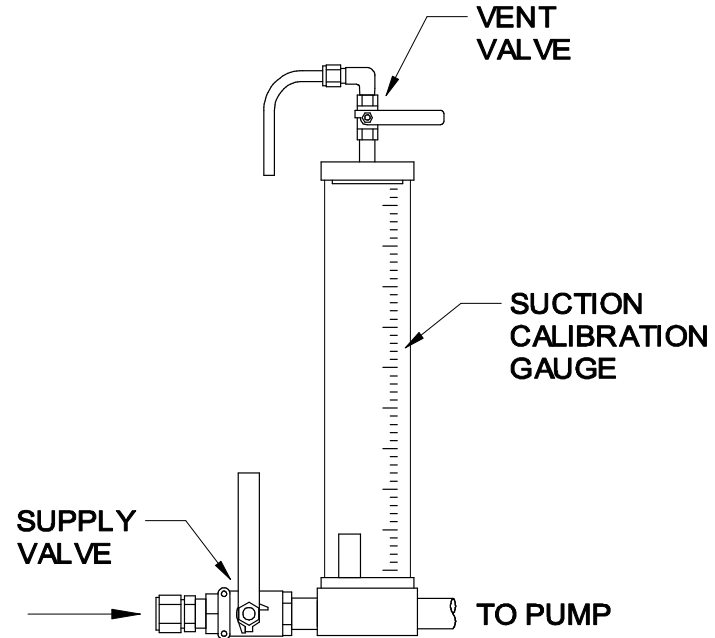
OR 280 PPM (PARTS PER MILLION)

EXAMPLE: (US)
 ADDITIVE INJECTED = 11.5 oz
 FUEL DELIVERED = 350 GALLONS

$$\frac{11.5}{350} = .0328$$

$$\frac{.0328}{128 \text{ oz/gal}} = .000256 \text{ (256 MILLIONTHS)}$$

OR 256 PPM (PARTS PER MILLION)



A	INITIAL RELEASE	04/07/93	SS	BY	DRAWING	LEVELS	VIEW
	REVISION	DATE			1891	1,2	1
					FROM SER#	DATE	TO SER#
					X	X	X

TOLERANCES ALL DIMENSIONS ARE IN INCHES UNLESS OTHERWISE SPECIFIED.		THIS PRINT IS CONFIDENTIAL AND IS THE PROPERTY OF HAMMONDS TECHNICAL SERVICES		HAMMONDS TECHNICAL SERVICES, INC.	
*TOL. DECIMALS: .XXX= +/- .005 .XX= +/- .015 .X= +/- .030	*TOL. ANGLES: +/- .5 DEGREES *CONCENTRICITY: .005 T.I.R.	SCALE NTS	APPROVED BY:	DRAWN BY SS	
*REMOVE BURRS AND BREAK EDGES .005 MIN.		DATE 04/07/93		REVISED	
SURFACE FINISH 12/		DRAWING TITLE SUCTION CALIBRATION GAUGE			
		DRAWING NUMBER 1891			

Hammonds Model HC800-3 Additive Cart

TO PUMP

15

FROM ADDITIVE SOURCE

13

▲ FITTINGS AS NEEDED FOR INDIVIDUAL APPLICATIONS

BOLT TORQUE SPECIFICATIONS

▲

Ref. No. Assembly Torque
2 4 ft-lbs (5.4 N-m)

ITEM	PART NO.	QTY.	DESCRIPTION
1	881902	1	PANEL
2	108027	4	HEX BOLT, 1/4-20 x 3/4" SS
3	101059-04	1	1/4" 90° VENT TUBE
4	101071	1	1/4" ELBOW/TUBE ADAPTER
5	271113	2	REDUCING BUSHING, 3/4" x 1/4"
6	881881	4	HEX LOCKW/ T, 1/4-20
7	881886	2	MOUNT STRAP
8	101487	1	TEFLON TUBING, 3/4" OD x 5/8" ID
9	101126	2	TUBE ADAPTER, 3/4" TUBE x 3/4" MNPT
10	271105	2	PIPE COUPLING, 3/4"
11	271125	1	1/4" ST. EL. BOW
12	101089	3	1/4" x CL. NIPTLE
13	101230	2	1/4" ON/OFF VALVE
14	101023	1	1/4" PIPE TEE
15	101034	2	1/4" x 3/8" TUBE ADAPTER

NO. 1 REVISION		DATE	BY	X	DATE	X	VIEW	LEVELS	TO SER#	DATE
ADD BOLT TORQUE	11/01/06	SS	FRON SER#	X	DATE	X	1			
ADD NOTE	01/15/10	SS	LAL	X	20-23	X				
WAS 101059	02/17/14	SS	DRAWING	X		X				

10 DIMENSIONS ALL DIMENSIONS IN INCHES UNLESS OTHERWISE SPECIFIED TOL. DIMENSIONS: .10, .005, .002 ANGLES: 1/2°, 5 DEGREES SURF. FINISH: 125, 11.3, 1.6 HOLE: 1/2, 1/4, 1/8, 3/16, 1/4, 3/8, 1/2, 5/8, 3/4, 1, 1 1/4, 1 1/2, 2, 3, 4, 6, 8, 10, 12, 16, 20, 24, 30, 36, 48, 60, 72, 96, 120, 144, 180, 240, 300, 360, 480, 600, 720, 960, 1200, 1440, 1800, 2400, 3000, 3600, 4800, 6000, 7200, 9600, 12000, 14400, 18000, 24000, 30000, 36000, 48000, 60000, 72000, 96000, 120000, 144000, 180000, 240000, 300000, 360000, 480000, 600000, 720000, 960000, 1200000, 1440000, 1800000, 2400000, 3000000, 3600000, 4800000, 6000000, 7200000, 9600000, 12000000, 14400000, 18000000, 24000000, 30000000, 36000000, 48000000, 60000000, 72000000, 96000000, 120000000, 144000000, 180000000, 240000000, 300000000, 360000000, 480000000, 600000000, 720000000, 960000000, 1200000000, 1440000000, 1800000000, 2400000000, 3000000000, 3600000000, 4800000000, 6000000000, 7200000000, 9600000000, 12000000000, 14400000000, 18000000000, 24000000000, 30000000000, 36000000000, 48000000000, 60000000000, 72000000000, 96000000000, 120000000000, 144000000000, 180000000000, 240000000000, 300000000000, 360000000000, 480000000000, 600000000000, 720000000000, 960000000000, 1200000000000, 1440000000000, 1800000000000, 2400000000000, 3000000000000, 3600000000000, 4800000000000, 6000000000000, 7200000000000, 9600000000000, 12000000000000, 14400000000000, 18000000000000, 24000000000000, 30000000000000, 36000000000000, 48000000000000, 60000000000000, 72000000000000, 96000000000000, 120000000000000, 144000000000000, 180000000000000, 240000000000000, 300000000000000, 360000000000000, 480000000000000, 600000000000000, 720000000000000, 960000000000000, 1200000000000000, 1440000000000000, 1800000000000000, 2400000000000000, 3000000000000000, 3600000000000000, 4800000000000000, 6000000000000000, 7200000000000000, 9600000000000000, 12000000000000000, 14400000000000000, 18000000000000000, 24000000000000000, 30000000000000000, 36000000000000000, 48000000000000000, 60000000000000000, 72000000000000000, 96000000000000000, 120000000000000000, 144000000000000000, 180000000000000000, 240000000000000000, 300000000000000000, 360000000000000000, 480000000000000000, 600000000000000000, 720000000000000000, 960000000000000000, 1200000000000000000, 1440000000000000000, 1800000000000000000, 2400000000000000000, 3000000000000000000, 3600000000000000000, 4800000000000000000, 6000000000000000000, 7200000000000000000, 9600000000000000000, 12000000000000000000, 14400000000000000000, 18000000000000000000, 24000000000000000000, 30000000000000000000, 36000000000000000000, 48000000000000000000, 60000000000000000000, 72000000000000000000, 96000000000000000000, 120000000000000000000, 144000000000000000000, 180000000000000000000, 240000000000000000000, 300000000000000000000, 360000000000000000000, 480000000000000000000, 600000000000000000000, 720000000000000000000, 960000000000000000000, 1200000000000000000000, 1440000000000000000000, 1800000000000000000000, 2400000000000000000000, 3000000000000000000000, 3600000000000000000000, 4800000000000000000000, 6000000000000000000000, 7200000000000000000000, 9600000000000000000000, 12000000000000000000000, 14400000000000000000000, 18000000000000000000000, 24000000000000000000000, 30000000000000000000000, 36000000000000000000000, 48000000000000000000000, 60000000000000000000000, 72000000000000000000000, 96000000000000000000000, 120000000000000000000000, 144000000000000000000000, 180000000000000000000000, 240000000000000000000000, 300000000000000000000000, 360000000000000000000000, 480000000000000000000000, 600000000000000000000000, 720000000000000000000000, 960000000000000000000000, 1200000000000000000000000, 1440000000000000000000000, 1800000000000000000000000, 2400000000000000000000000, 3000000000000000000000000, 3600000000000000000000000, 4800000000000000000000000, 6000000000000000000000000, 7200000000000000000000000, 9600000000000000000000000, 12000000000000000000000000, 14400000000000000000000000, 18000000000000000000000000, 24000000000000000000000000, 30000000000000000000000000, 36000000000000000000000000, 48000000000000000000000000, 60000000000000000000000000, 72000000000000000000000000, 96000000000000000000000000, 120000000000000000000000000, 144000000000000000000000000, 180000000000000000000000000, 240000000000000000000000000, 300000000000000000000000000, 360000000000000000000000000, 480000000000000000000000000, 600000000000000000000000000, 720000000000000000000000000, 960000000000000000000000000, 1200000000000000000000000000, 1440000000000000000000000000, 1800000000000000000000000000, 2400000000000000000000000000, 3000000000000000000000000000, 3600000000000000000000000000, 4800000000000000000000000000, 6000000000000000000000000000, 7200000000000000000000000000, 9600000000000000000000000000, 12000000000000000000000000000, 14400000000000000000000000000, 18000000000000000000000000000, 24000000000000000000000000000, 30000000000000000000000000000, 36000000000000000000000000000, 48000000000000000000000000000, 60000000000000000000000000000, 72000000000000000000000000000, 96000000000000000000000000000, 120000000000000000000000000000, 144000000000000000000000000000, 180000000000000000000000000000, 240000000000000000000000000000, 300000000000000000000000000000, 360000000000000000000000000000, 480000000000000000000000000000, 600000000000000000000000000000, 720000000000000000000000000000, 960000000000000000000000000000, 1200000000000000000000000000000, 1440000000000000000000000000000, 1800000000000000000000000000000, 2400000000000000000000000000000, 3000000000000000000000000000000, 3600000000000000000000000000000, 4800000000000000000000000000000, 6000000000000000000000000000000, 7200000000000000000000000000000, 9600000000000000000000000000000, 12000000000000000000000000000000, 14400000000000000000000000000000, 18000000000000000000000000000000, 24000000000000000000000000000000, 30000000000000000000000000000000, 36000000000000000000000000000000, 48000000000000000000000000000000, 60000000000000000000000000000000, 72000000000000000000000000000000, 96000000000000000000000000000000, 120000000000000000000000000000000, 144000000000000000000000000000000, 180000000000000000000000000000000, 240000000000000000000000000000000, 300000000000000000000000000000000, 360000000000000000000000000000000, 480000000000000000000000000000000, 600000000000000000000000000000000, 720000000000000000000000000000000, 960000000000000000000000000000000, 1200000000000000000000000000000000, 1440000000000000000000000000000000, 1800000000000000000000000000000000, 2400000000000000000000000000000000, 3000000000000000000000000000000000, 3600000000000000000000000000000000, 4800000000000000000000000000000000, 6000000000000000000000000000000000, 7200000000000000000000000000000000, 9600000000000000000000000000000000, 12000000000000000000000000000000000, 14400000000000000000000000000000000, 18000000000000000000000000000000000, 24000000000000000000000000000000000, 30000000000000000000000000000000000, 36000000000000000000000000000000000, 48000000000000000000000000000000000, 60000000000000000000000000000000000, 72000000000000000000000000000000000, 96000000000000000000000000000000000, 120000000000000000000000000000000000, 144000000000000000000000000000000000, 180000000000000000000000000000000000, 240000000000000000000000000000000000, 300000000000000000000000000000000000, 360000000000000000000000000000000000, 480000000000000000000000000000000000, 600000000000000000000000000000000000, 720000000000000000000000000000000000, 960000000000000000000000000000000000, 1200000000000000000000000000000000000, 1440000000000000000000000000000000000, 1800000000000000000000000000000000000, 2400000000000000000000000000000000000, 3000000000000000000000000000000000000, 3600000000000000000000000000000000000, 4800000000000000000000000000000000000, 6000000000000000000000000000000000000, 7200000000000000000000000000000000000, 9600000000000000000000000000000000000, 12000000000000000000000000000000000000, 14400000000000000000000000000000000000, 18000000000000000000000000000000000000, 24000000000000000000000000000000000000, 30000000000000000000000000000000000000, 36000000000000000000000000000000000000, 48000000000000000000000000000000000000, 60000000000000000000000000000000000000, 72000000000000000000000000000000000000, 96000000000000000000000000000000000000, 120000000000000000000000000000000000000, 144000000000000000000000000000000000000, 180000000000000000000000000000000000000, 240000000000000000000000000000000000000, 300000000000000000000000000000000000000, 360000000000000000000000000000000000000, 480000000000000000000000000000000000000, 600000000000000000000000000000000000000, 720000000000000000000000000000000000000, 960000000000000000000000000000000000000, 1200000000000000000000000000000000000000, 1440000000000000000000000000000000000000, 1800000000000000000000000000000000000000, 2400000000000000000000000000000000000000, 3000000000000000000000000000000000000000, 3600000000000000000000000000000000000000, 4800000000000000000000000000000000000000, 6000000000000000000000000000000000000000, 7200000000000000000000000000000000000000, 9600000000000000000000000000000000000000, 12000000000000000000000000000000000000000, 14400000000000000000000000000000000000000, 18000000000000000000000000000000000000000, 24000000000000000000000000000000000000000, 300, 36000000000000000000000000000000000000000, 48000000000000000000000000000000000000000, 600, 72000000000000000000000000000000000000000, 96000000000000000000000000000000000000000, 1200, 144000000000000000000000000000000000000000, 1800, 2400, 3000, 3600, 4800, 6000, 7200, 9600, 12000, 14400, 18000, 24000, 300, 36000, 48000, 600, 72000, 96000, 1200, 144000, 1800, 2400, 300000000	
--	--

Hammonds Model HC800-3 Additive Cart

CALIBRATION INSTRUCTIONS

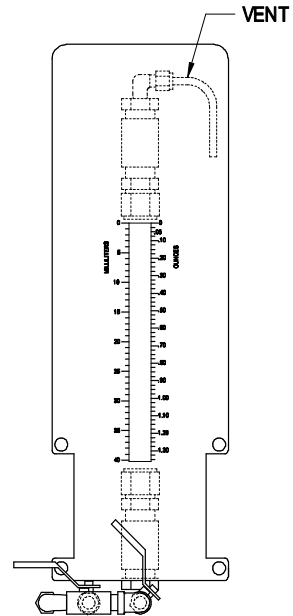
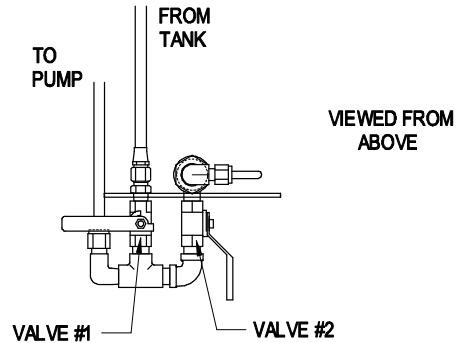
- 1) IN ORDER TO CALIBRATE, THE PUMP MUST BE PRIMED AND PURGED OF ALL AIR. THE 3-WAY VALVE MUST BE SET TO INJECT.
- 2) WITH VALVE #1 OPEN AND SYSTEM OPERATING, TURN VALVE #2 ON. THIS WILL FILL CALIBRATION TUBE. FILL TO ZERO MARK. DO NOT OVERFILL. ONCE FULL, TURN VALVE #2 OFF.
- 3) MAKE NOTE OF ADDITIVE LEVEL IN CALIBRATION GAUGE AND MAIN PRODUCT METER READING. BEGIN CALIBRATION BY FIRST TURNING VALVE #1 "OFF" AND VALVE #2 "ON".
- 4) ONCE THE FLUID IN THE GAUGE IS NEAR THE BOTTOM, STOP TEST BY FIRST TURNING VALVE #2 "OFF" AND VALVE #1 "ON", AT THE SAME TIME MAKING NOTE OF THE MAIN PRODUCT METER READING.
- 5) COMPARE TOTAL AMOUNT OF ADDITIVE INJECTED FROM CALIBRATION TUBE TO AMOUNT OF FUEL DELIVERED DURING DURATION OF TEST.
- 6) INCREASE OR DECREASE PERCENTAGE OF STROKE ON DIAPHRAGM PUMP, REPEAT TEST UNTIL DESIRED INJECTION RATIO IS ACHIEVED.

EXAMPLE:
 ADDITIVE INJECTED = 7.0 ML
 FUEL DELIVERED = 350 LITERS

$$\frac{7.0}{350} = .020$$

$$\frac{.020}{1000} = .000020 \text{ (20 MILLIONTHS)}$$

OR 20 PPM (PARTS PER MILLION)



TOLERANCES ALL DIMENSIONS ARE IN INCHES UNLESS OTHERWISE SPECIFIED.					THIS PRINT IS CONFIDENTIAL AND IS THE PROPERTY OF HAMMONDS TECHNICAL SERVICES		HAMMONDS TECHNICAL SERVICES, INC.		
							SCALE: NTS	APPROVED PART NUMBER	DRAWN BY: SS
*TOL. DECIMALS: .XXX= +/- .005 .XX= +/- .015 .X= +/- .030 FRAC.= +/- 1/16					*TOL. ANGLES: +/- .5 DEGREES		THIS PRINT SHALL NOT BE USED, COPIED OR REPRODUCED IN WHOLE OR IN PART NOR SHALL THE CONTENTS BE RELEASED IN ANY MANNER TO ANYONE UNLESS WRITTEN PERMISSION IS OBTAINED FROM HAMMONDS TECHNICAL SERVICES.		
*CONCENTRICITY: .005 T.I.R.					DATE: 12/07/15				REVISED:
DRAWING CAL 104, 105		LEVELS 104, 105		VIEW I		DRAWING TITLE SUCTION CALIBRATION GAUGE			
FROM SER# X		DATE X		TO SER# X		DATE X		SCG112 FOR HCCART	
INITIAL RELEASE 12/07/15		SS X		APPVD X		DRAWING NUMBER 7306			
NO. REVISION		DATE		BY					

Hammonds Model HC800-3 Additive Cart

ITEM	PART NO.	QTY.	DESCRIPTION
1	102929	1	TANK SHELL, 6 GALLON
2	883189	1	LEVEL GAUGE
2A	884177	1	LEVEL GAUGE, HD BUNA-N
2B	884177-V	1	LEVEL GAUGE, HD VITON
3	102460	2	GASKET, VITON
	102654	2	GASKET, BUNA-N (OPT)
	102712	2	GASKET, NEOPRENE (OPT)
4	102482	1	GASKET, VITON
	102655	1	GASKET, BUNA-N (OPT)
	102713	1	GASKET, NEOPRENE (OPT)
5	700089	1	FILLER / STRAINER
6	881223	6	SCREW, 10-32 x 1/2" PHIL INCLUDED W / #5
7	151005	1	1/4" PIPE PLUG
8	101034	1	TUBE ADPT, 3/8" x 1/4" MNPT
	101170	1	TUBE ADPT, 1/2" x 1/4" MNPT (OPT)
9	101069	1	1/4" x CL NIPPLE
10	102735	1	1/4" ON / OFF VALVE
11	101071	1	ELBOW TUBE ADAPTER, 1/4"
12	101059-01	1	1/4" VENT TUBE
13	881347	1	VACUUM HOSE
14	881142	1	DESICCANT DRYER
15	102761	1	TANK VENT GUARD
16	882339	1	3/8" JIC x 1/4" MNPT ADAPTER
16A	882447	1	1/2" JIC x 1/4" MNPT ADAPTER
17*	882362	1	CI TANK TAG
17*	882373	1	SDA TANK TAG
17*	885022	1	FSII TANK TAG

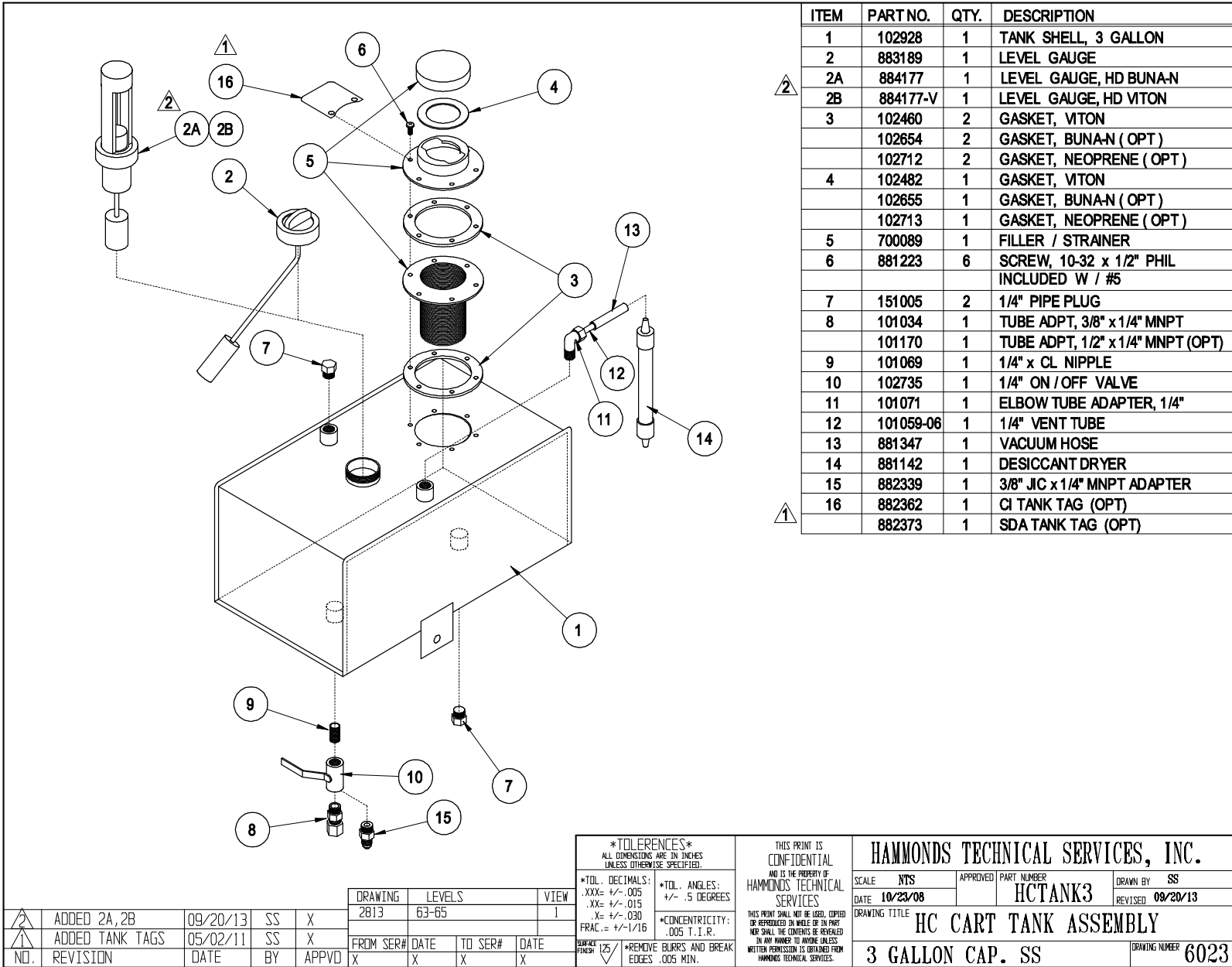
* OPTIONAL TANK TAGS

NO.	REVISION	DATE	BY	APPVD	FROM SER#	DATE	TO SER#	DATE
1	ADDED 2A, 2B	04/20/12	SS	X	2813			
2	ADDED 16A	05/02/11	SS	X				
3	ADDED TANK TAGS	01/20/11	SS	X				

TOLERANCES ALL DIMENSIONS ARE IN INCHES UNLESS OTHERWISE SPECIFIED.			THIS PRINT IS CONFIDENTIAL AND IS THE PROPERTY OF HAMMONDS TECHNICAL SERVICES		
*TOL. DECIMALS: .XXX= +/- .005 .XX= +/- .015 .X= +/- .030 FRAC.= +/- 1/16		*TOL. ANGLES: +/- .5 DEGREES		*CONCENTRICITY: .005 T.I.R.	
SURFACE FINISH 125			*REMOVE BURRS AND BREAK EDGES .005 MIN.		

HAMMONDS TECHNICAL SERVICES, INC.			
SCALE: NTS	APPROVED PART NUMBER:	DRAWN BY: SS	
DATE: 10/23/08	HCTANK6	REVISED: 04/20/12	
DRAWING TITLE: HC CART TANK ASSEMBLY			
6 GALLON CAP. SS			DRAWING NUMBER: 6022

Hammonds Model HC800-3 Additive Cart



ITEM	PART NO.	QTY.	DESCRIPTION
1	102928	1	TANK SHELL, 3 GALLON
2	883189	1	LEVEL GAUGE
2A	884177	1	LEVEL GAUGE, HD BUNA-N
2B	884177-V	1	LEVEL GAUGE, HD VITON
3	102460	2	GASKET, VITON
	102654	2	GASKET, BUNA-N (OPT)
	102712	2	GASKET, NEOPRENE (OPT)
4	102482	1	GASKET, VITON
	102655	1	GASKET, BUNA-N (OPT)
	102713	1	GASKET, NEOPRENE (OPT)
5	700089	1	FILLER / STRAINER
6	881223	6	SCREW, 10-32 x 1/2" PHIL
			INCLUDED W / #5
7	151005	2	1/4" PIPE PLUG
8	101034	1	TUBE ADPT, 3/8" x 1/4" MNPT
	101170	1	TUBE ADPT, 1/2" x 1/4" MNPT (OPT)
9	101069	1	1/4" x CL NIPPLE
10	102735	1	1/4" ON / OFF VALVE
11	101071	1	ELBOW TUBE ADAPTER, 1/4"
12	101059-06	1	1/4" VENT TUBE
13	881347	1	VACUUM HOSE
14	881142	1	DESICCANT DRYER
15	882339	1	3/8" JIC x 1/4" MNPT ADAPTER
16	882362	1	CI TANK TAG (OPT)
	882373	1	SDA TANK TAG (OPT)

NO.	REVISION	DATE	BY	APPVD
1	ADDED 2A, 2B	09/20/13	SS	X
2	ADDED TANK TAGS	05/02/11	SS	X

DRAWING	LEVELS	VIEW
2813	63-65	1
FROM SER#	DATE	TO SER#
X	X	X

TOLERANCES
ALL DIMENSIONS ARE IN INCHES UNLESS OTHERWISE SPECIFIED.

*TOL. DECIMALS:
-.XXX= +/- .005
.XX= +/- .015
.X= +/- .030
FRAC.= +/- 1/16

*TOL. ANGLES:
+/- .5 DEGREES

*CONCENTRICITY:
.005 T.I.R.

SURFACE FINISH: $\sqrt{25}$ *REMOVE BURRS AND BREAK EDGES .005 MIN.

THIS PRINT IS CONFIDENTIAL AND IS THE PROPERTY OF HAMMONDS TECHNICAL SERVICES

THIS PRINT SHALL NOT BE LOANED, COPIED OR REPRODUCED IN WHOLE OR IN PART WITHOUT WRITTEN PERMISSION FROM HAMMONDS TECHNICAL SERVICES.

HAMMONDS TECHNICAL SERVICES, INC.

SCALE: NTS	APPROVED PART NUMBER: HCTANK3	DRAWN BY: SS
DATE: 10/23/08		REVISED: 09/20/13
DRAWING TITLE: HC CART TANK ASSEMBLY		
3 GALLON CAP. SS		DRAWING NUMBER: 6023